

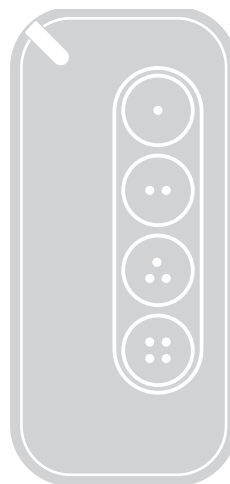
Nice

CE 0682

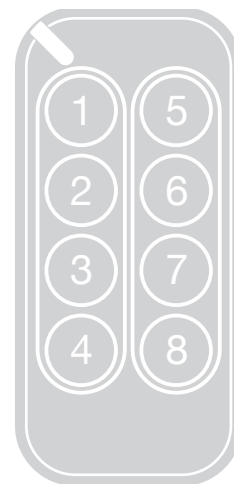
UK
CA EAC
made in Italy

MYGO

MYGO/A



MYGO4
MYGO4/A



MYGO8
MYGO8/A

One-way transmitters

EN - Instructions and warnings for installation and use

Nice

CONTENTS

1	GENERAL SAFETY WARNINGS AND PRECAUTIONS	2
2	PRODUCT DESCRIPTION AND INTENDED USE	3
2.1	List of constituent parts	3
2.2	Transmitter functions	3
3	MEMORISING THE TRANSMITTER	4
3.1	Transmitter verification	4
3.2	Memorising the transmitter	4
3.2.1	Memorisation in "Mode 1"	4
3.2.2	Memorisation in "Mode 2"	4
3.2.3	Memorisation in "Extended Mode 2"	4
3.2.4	Memorisation through the "ENABLING Code" (between an OLD transmitter already memorised and a NEW transmitter)	4
4	ENCODING SWITCH PROCEDURE	5
5	REPLACING THE BATTERY	6
6	PRODUCT DISPOSAL	6
6.1	Battery disposal	6
7	TECHNICAL SPECIFICATIONS	7
8	CONFORMITY	7
8.1	SIMPLIFIED EU DECLARATION OF CONFORMITY	7
8.2	COMPLIANCE WITH THE FCC RULES (PART 15) AND WITH RSS-210 RULES	7
9	ACCESSORIES	7
9.1	String for keyring	7
9.2	FASTENING SUPPORT	7

1 GENERAL SAFETY WARNINGS AND PRECAUTIONS



CAUTION! – This manual contains important instructions and warnings for personal safety. Carefully read all parts of this manual. If in doubt, suspend installation immediately and contact the Nice Technical Assistance.



CAUTION! – Important instructions: keep this manual in a safe place to enable future product maintenance and disposal procedures.

- The product packing materials must be disposed of in compliance with local regulations.
- Never apply modifications to any part of the device. Operations other than those specified may only cause malfunctions. The manufacturer declines all liability for damage caused by makeshift modifications to the product.
- Never place the device near to sources of heat and never expose to naked flames. These actions may damage the product and cause malfunctions.
- This product is not intended for use by people (including children) with reduced physical, sensory or mental capabilities or who lack experience and knowledge, unless they have been given supervision or instruction concerning the use of the product by a person responsible for their safety.
- Make sure that children do not play with the product.
- Handle the product with care, being sure not to crush, knock or drop it in order to avoid damage.
- The batteries must be removed from the appliance prior to its disposal.
- The batteries must be disposed of in a safe way.
- The manufacturer of this appliance, Nice S.p.A., hereby declares that the product complies with Directive 2014/53/EU.
- The instruction manual and the full text of the EU Declaration of Conformity are available at the following Internet address: www.niceforyou.com, under the "support" and "download" sections.
- For transmitters: 433 MHz: ERP < 10 dBm.

2 PRODUCT DESCRIPTION AND INTENDED USE

Transmitters of the series **MYGO (MYGO/A)** are designed to control automations (gates, garage doors, road barriers and similar).



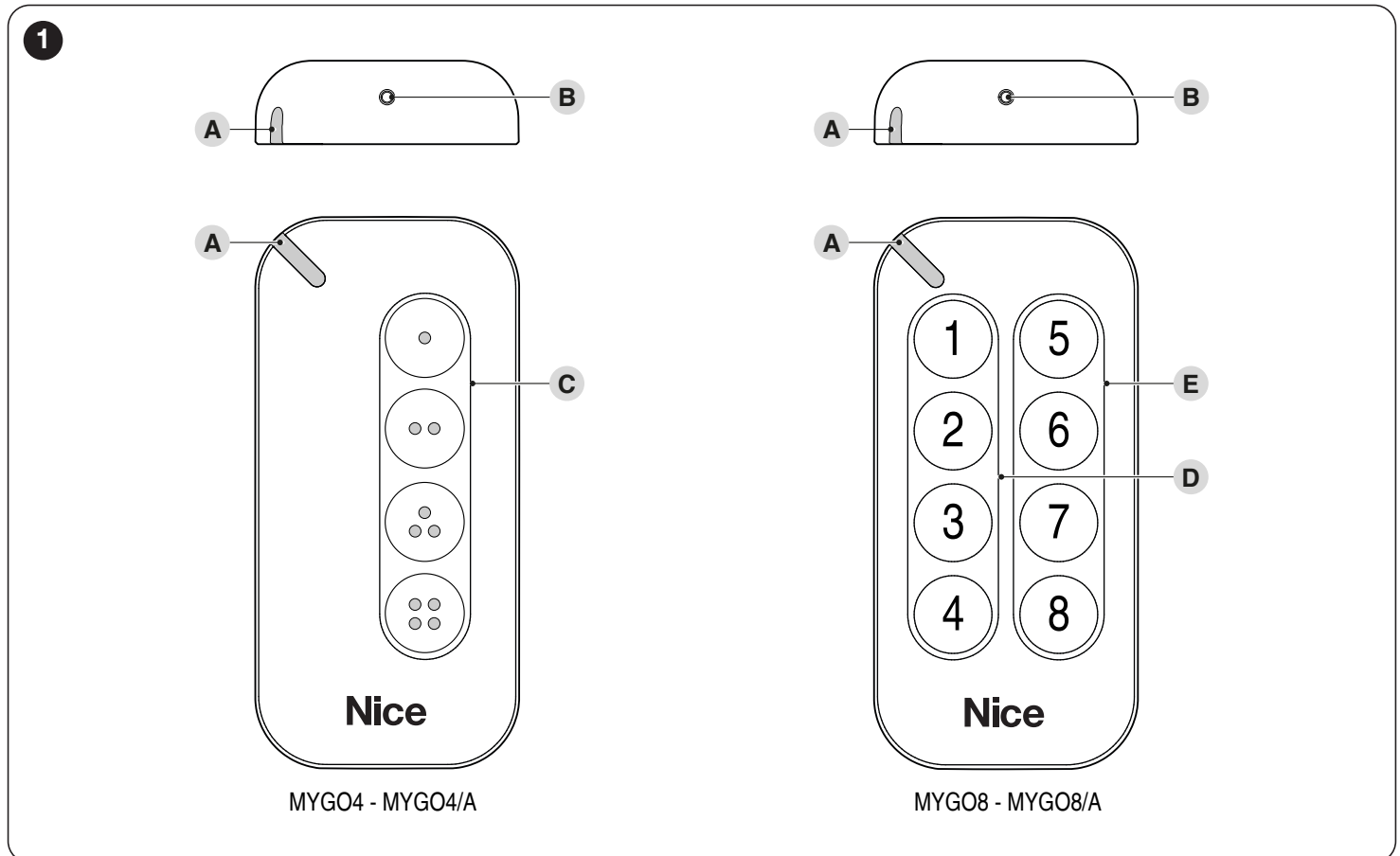
CAUTION! – Any use other than that specified herein or in environmental conditions other than those stated in this manual is to be considered improper and is strictly forbidden!

2.1 LIST OF CONSTITUENT PARTS

“**Figure 1**” shows the main parts making up **MYGO (MYGO/A)** transmitters.

The range consists of two models:

- **MYGO4 (MYGO4/A)** with four buttons
- **MYGO8 (MYGO8/A)** with eight buttons.



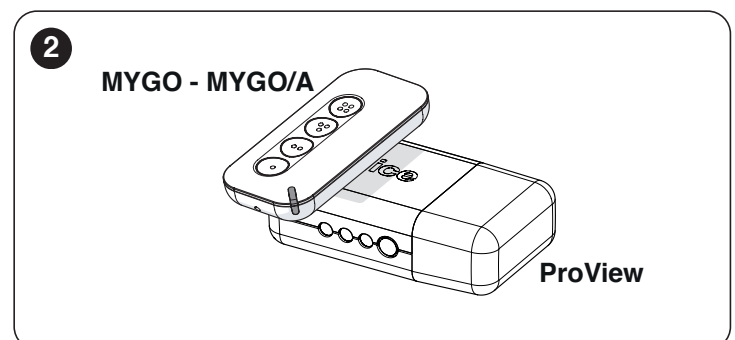
- A** Red signalling LED
- B** Hole for unlocking and removing the rear shell
- C** Control buttons area for models **MYGO4 (MYGO4/A)**
- D** Control buttons area first sector (*) for models **MYGO8 (MYGO8/A)**
- E** Control buttons area second sector (*) for models **MYGO8 (MYGO8/A)**

(*) Each sector can be regarded as if it were an independent transmitter.

2.2 TRANSMITTER FUNCTIONS

MYGO (MYGO/A) Transmitters are factory-programmed for being used with receivers that adopt the “O-Code” one-way radio encoding system (“O-Code/A”). This encoding system allows for exploiting all the advanced and exclusive functions of the “NiceOpera” system. Moreover, for the markets that require them and prior suitable programming, the ET Blue, Peccinin, Linear encoding systems can be supported (refer to the paragraph “**ENCODING SWITCH PROCEDURE**” on page 5).

MYGO (MYGO/A) transmitters can be programmed with the ProView device (**Figure 2**).

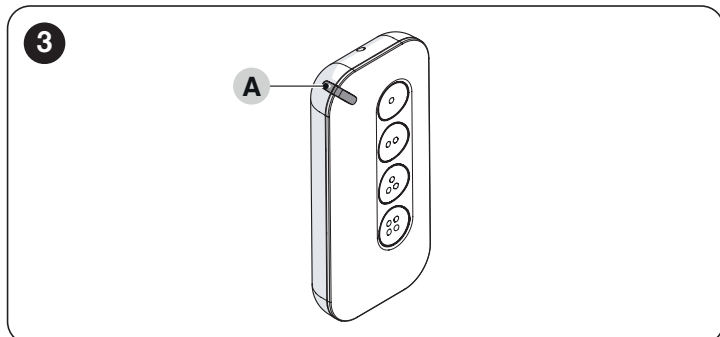


3 MEMORISING THE TRANSMITTER

3.1 TRANSMITTER VERIFICATION

Before memorising the transmitter in the automation's receiver, ensure that it is working correctly by pressing any button while observing whether LED (A) lights up.


If LED (A) fails to light up, check the condition of the battery and replace it if necessary (refer to the "REPLACING THE BATTERY" paragraph on page 6).



3.2 MEMORISING THE TRANSMITTER


To memorise the transmitter in a receiver, the following procedures can be adopted:

- memorisation in "Mode 1"
- memorisation in "Mode 2"
- memorisation in "Extended Mode 2"
- memorisation through the "Enabling Code" received from a previously memorised transmitter.

 These procedures are described in the instruction manual of the receiver or control unit with which the transmitter must be operated. The above-mentioned manuals are also available on the website: www.niceforyou.com.

3.2.1 MEMORISATION IN "MODE 1"

This mode allows for memorising in the receiver, once only, all the transmitter command buttons, associating them **automatically** with each command managed from the control unit (default commands).

 Refer to the control unit instructions to identify the type of command that will be paired with each transmitter button.

3.2.2 MEMORISATION IN "MODE 2"

Allows for memorising in the receiver a single transmitter button, associating it with the commands managed from the control unit (maximum 4, chosen by the user).

 The same procedure must be repeated for each button to be memorised.


3.2.3 MEMORISATION IN "EXTENDED MODE 2"

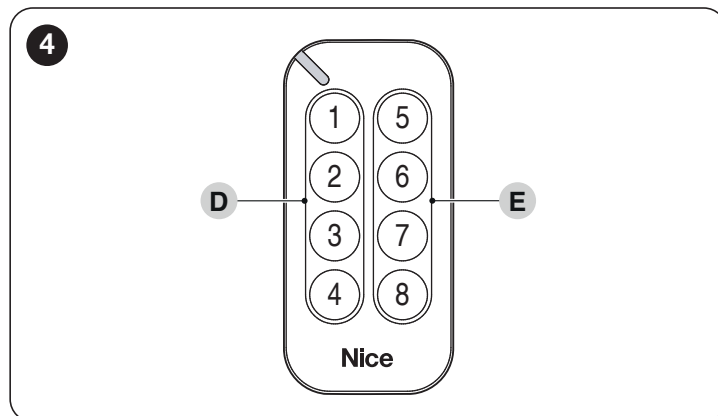
This procedure is the same as the memorisation in "Mode 2", with the added possibility of choosing the desired command (to be paired with the button being memorised) in an **extended** list of commands managed from the control unit (up to 15 different commands).

 Refer to the control unit instructions to identify the extended list of commands.

3.2.4 MEMORISATION THROUGH THE "ENABLING CODE" (BETWEEN AN OLD TRANSMITTER ALREADY MEMORISED AND A NEW TRANSMITTER)

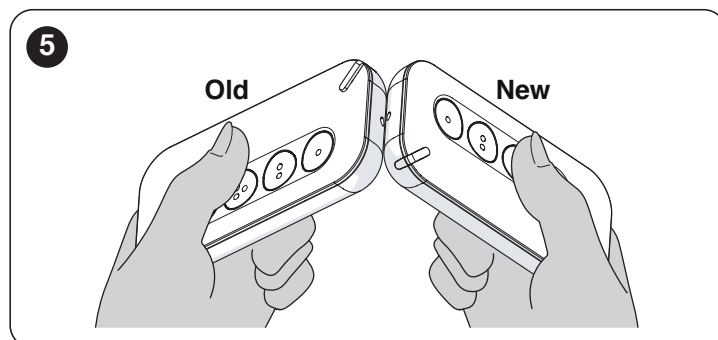
The **MYGO (MYGO/A)** transmitter has a secret code, the so-called "ENABLING CODE". By transferring this code from a memorised transmitter to a new transmitter, the latter is recognised (and memorised) automatically by the receiver.

 In the **MYGO8 (MYGO8/A)** model, consider keypad divided into 2 sectors: sector (D) on the left and sector (E) on the right. Each sector can be regarded as if it were an independent transmitter. In the operations described below, refer to the buttons situated within the sector to be memorised.

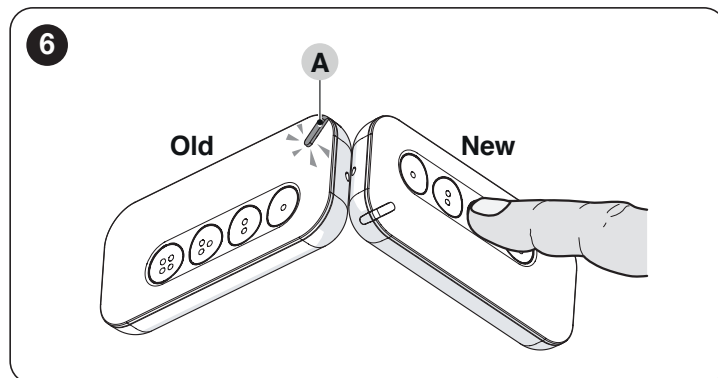


To perform the memorisation procedure:

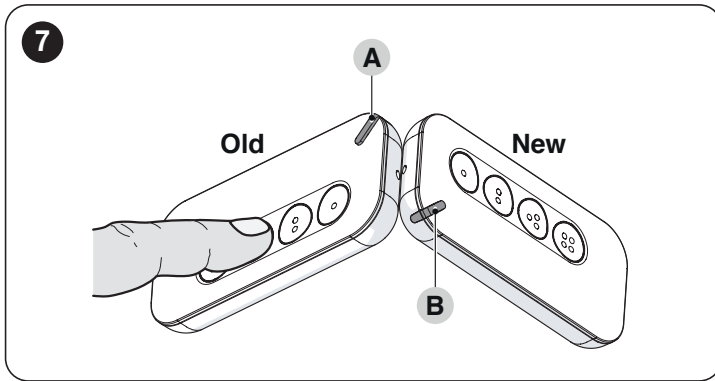
1. Draw the two transmitters, NEW and OLD, near to one another, as shown in "Figure 5".



2. On the NEW transmitter, press and hold any button, within the desired sector, until LED (A) of the OLD transmitter switches on. Subsequently, release the button (LED (A) of the OLD transmitter will start flashing).



3. On the OLD transmitter, press and hold any button, within the desired sector, until LED (B) of the NEW transmitter switches on. Subsequently, release the button (LED (B) of the NEW transmitter will turn off to signal that the procedure has terminated and the “enabling code” of the NEW transmitter has been transferred).



In case of an error, LED (A) will indicate the type of error by flashing:

- 4 flashes: transfer of the “Enabling code” disabled
- 6 flashes: transfer of the “Enabling code” disabled between various transmitters
- 10 flashes: communication error between the devices
- 15 flashes: memorisation failed due to expiry time exceeded.



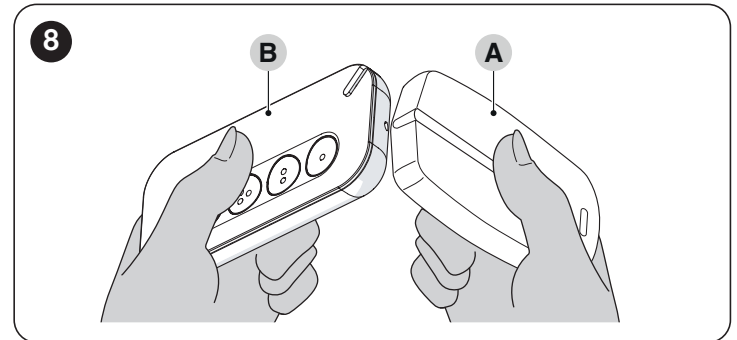
After passing the enabling code on the NEW transmitter, for the procedure to succeed the transmitter – within the first 20 transmissions – must be used at least once near the automation.

4 ENCODING SWITCH PROCEDURE

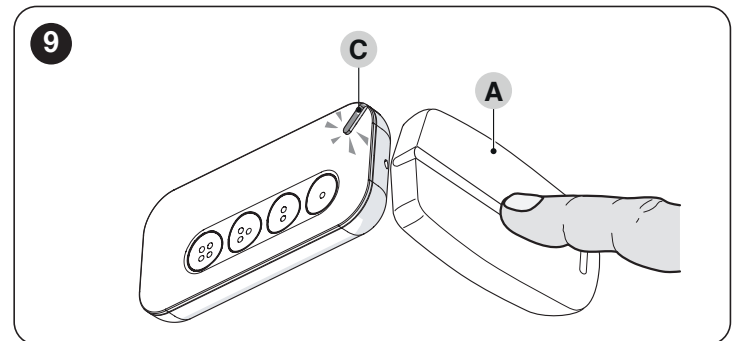
MYGO (MYGO/A) transmitters operate by default with the one-way “O-Code” (“O-Code/A”) radio encoding system. To satisfy backward-compatibility requirements, **MYGO (MYGO/A)** transmitters can operate with the ET Blue, Piccinin and Linear encoding systems. To make them transmit with a different type of encoding system, associated with a single button, the procedure described below must be carried out.

To perform this procedure:

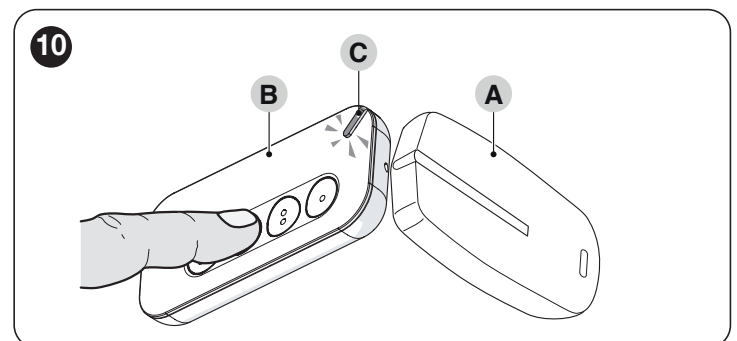
1. use an original transmitter that operates with the desired encoding system
2. move the reference transmitter (A) near to the **MYGO (MYGO/A)** (B) transmitter



3. press and hold a button on the reference transmitter (A) until LED (C) of the **MYGO (MYGO/A)** lights up



4. on the **MYGO (MYGO/A)** (B) press and release the button to be associated with the new encoding system
5. LED (C) of the **MYGO (MYGO/A)** will signal the encoding switch with a specific number of flashes:
 - 1 = Opera encoding
 - 2 = ET Blue encoding
 - 3 = Peccinin encoding
 - 4 = Linear encoding.



In case of an error, LED (C) will indicate the type of error by flashing:

- 10 flashes = communication error between the devices
- 15 flashes =: memorisation failed due to expiry time exceeded.

5 REPLACING THE BATTERY

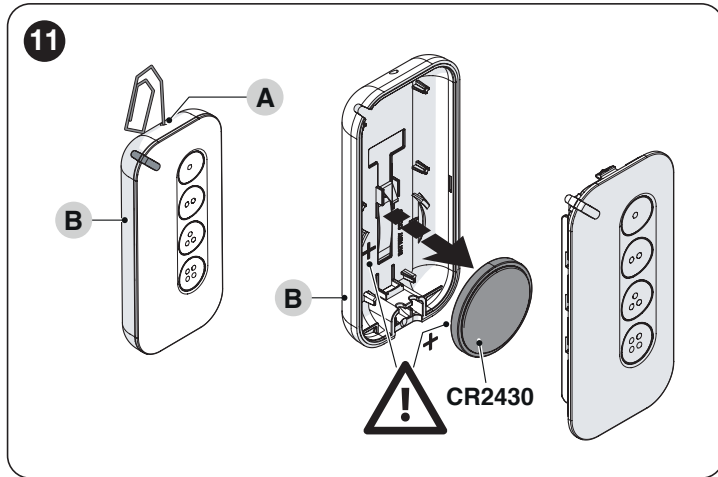
When the battery is flat and a button is pressed, the corresponding signalling LED fades and the transmitter will not transmit. With the battery almost flat, the signalling LED emits red flashes during the transmission process.

To restore normal transmitter operation, replace the battery with a version of the same type, while observing the polarity.

To change the battery:

1. insert a hairpin (or similar object) through hole **(A)** to unlock the shell **(B)** and remove it
2. remove the battery and replace it with another of the same type.

 **When inserting the new battery, be careful to respect the polarity.**



6 PRODUCT DISPOSAL


 **This product is an integral part of the operator and must therefore be disposed of with it.**

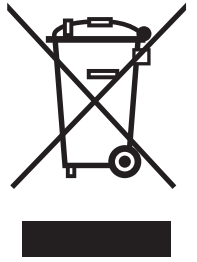
As with the installation, only qualified personnel must dismantle the product at the end of its life.

This product is composed of different types of materials. Some of these materials can be recycled; others must be disposed of. Please enquire about the recycling or disposal systems in place in your local area for this type of product.

 **WARNING**

Some parts of the product may contain polluting or dangerous substances. If not disposed of correctly, these substances may have a damaging effect on the environment and human health.

 As indicated by the symbol shown here, this product must not be disposed of with household waste. Separate the waste for disposal and recycling, following the methods stipulated by local regulations, or return the product to the seller when purchasing a new product.



 **WARNING**

Local regulations may impose heavy penalties if this product is not disposed of in compliance with the law.

6.1 BATTERY DISPOSAL

 **WARNING**

The batteries must be removed from the appliance prior to its disposal.

The batteries must be disposed of in a safe way.

The flat battery contains toxic substances and must not be disposed of with common waste. Dispose of according to separate waste collection methods as envisaged by current local standards.

7 TECHNICAL SPECIFICATIONS



All technical specifications stated in this section refer to an ambient temperature of 20°C (± 5°C). Nice S.p.A. reserves the right to apply modifications to the product at any time when deemed necessary, without altering its functions and intended use.



The range of transmitters and the reception capacity of the receivers are heavily affected by other devices (alarms, headphones, etc.) operating on the same frequency in your area. Under such conditions, Nice S.p.A. cannot provide any guarantee with regard to the actual range of its devices.

Table 1

TECHNICAL SPECIFICATIONS	
Description	Technical specification
	MYGO (MYGO/A)
Product type	One-way transmitter
Power supply	3 Vdc lithium battery type CR2430
Battery life	approx. 3 years, with 10 command transmissions per day
Frequency	433.92 MHz
Radiated power (ERP)	< 10 mW
Radio encoding	O-Code, O-Code/A ET Blue, Peccinin and Linear
Operating temperature	-5°C ... +55 °C
Protection rating	IP 40 (suitable for use at home indoors or in outdoor areas under cover)
Dimensions	72 x 34 x 110h mm
Weight	20 g

8 CONFORMITY

8.1 SIMPLIFIED EU DECLARATION OF CONFORMITY

The manufacturer, Nice S.p.A., declares that the product MYGO4 - MYGO8 is compliant with the directive 2014/53/UE.

The full text of the EU declaration of conformity is available at the following internet address: <https://www.niceforyou.com/en/support>.

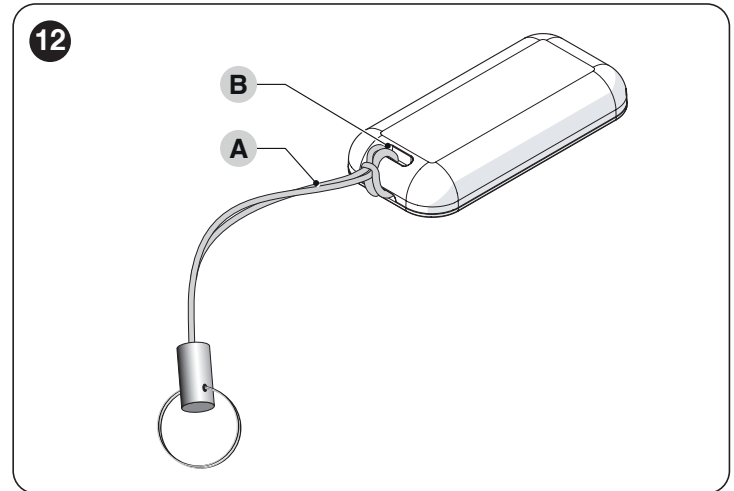
8.2 COMPLIANCE WITH THE FCC RULES (PART 15) AND WITH RSS-210 RULES

This device contains licence-exempt transmitter(s)/receiver(s) that comply with Innovation, Science and Economic Development Canada's licence-exempt RSS(s); and with Part 15 of the FCC rules of the United States of America. Operation is subject to the following two conditions: (1) This device may not cause interference. (2) This device must accept any interference, including interference that may cause undesired operation of the device. Any changes or modifications made to this device, without the express permission of the manufacturer, may void the user's authority to operate this device.

9 ACCESSORIES

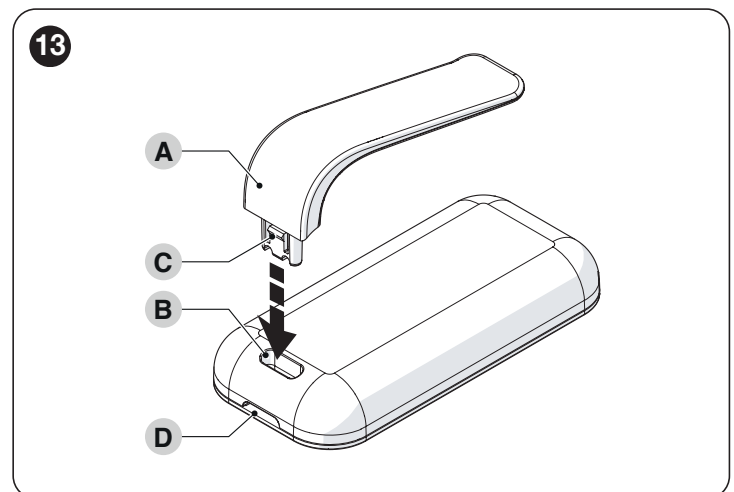
9.1 STRING FOR KEYRING

The string (A), supplied as an accessory with the transmitter, is useful for fastening the transmitter itself to a keyring or other similar object. To fasten it, wrap the string around slot (B) present on the transmitter.



9.2 FASTENING SUPPORT

The support (A), which can be ordered separately as an accessory, can be used for fastening the transmitter to various objects such as, for example, sun shades for cars. To mount the support (A) to the transmitter, simply insert it into slot (B) until the tab (C) clicks. To remove it, insert a screwdriver or other similar tool into hole (D) and leverage on the tab (C); then remove it.





Nice SpA
Via Callalta, 1
31046 Oderzo TV Italy
info@niceforyou.com

www.niceforyou.com

IS0807A00EN_12-01-2022