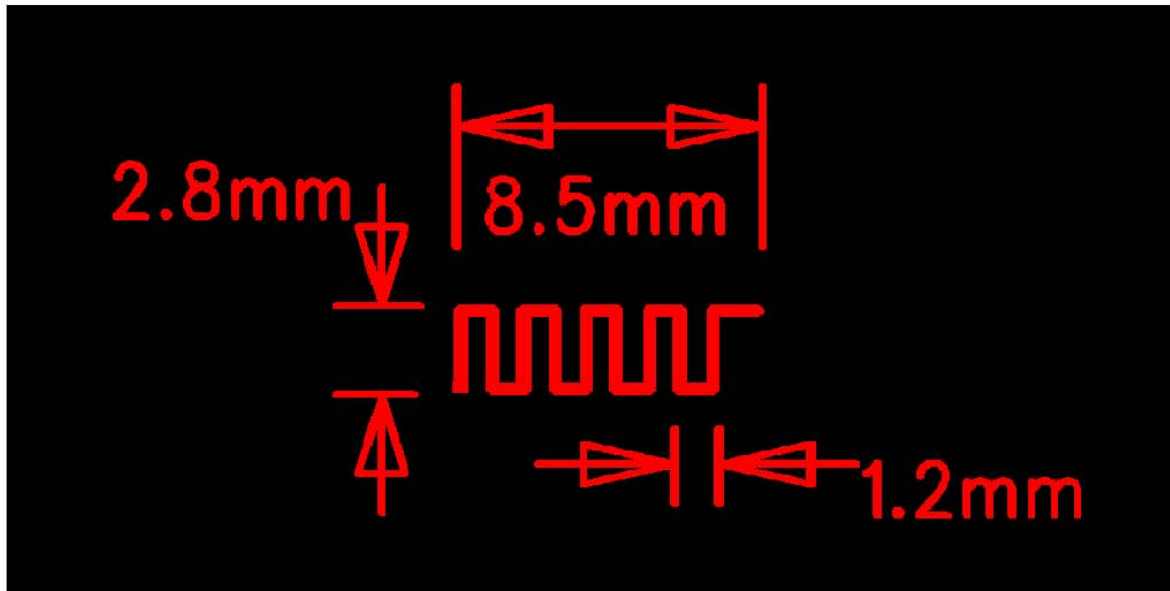


ANTENNA SPECIFICATION

Summary

ITEM	ANT SPEC					
Model Name	2.4G ANT					
Center Frequency Gain	Horizontal			Vertical		
	2400MHz	2450MHz	2500MHz	2400MHz	2450MHz	2500MHz
	-0.21	0.44	-0.04	-2.4	-1.88	-2.15
MAX Gain	0.44					
Polarization	Horizontal and Vertical					
Azimuth Beam Pattern	Omni-directional					
Impedance	50 Ohm					
Antenna Length	33.7 mm					
Manufacture						

Antenna Photo & Length (mm)

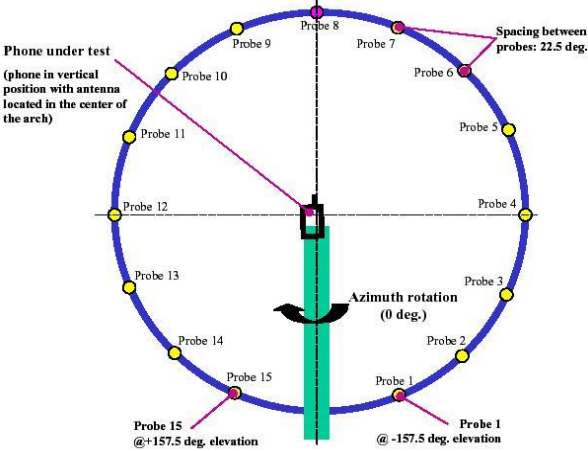
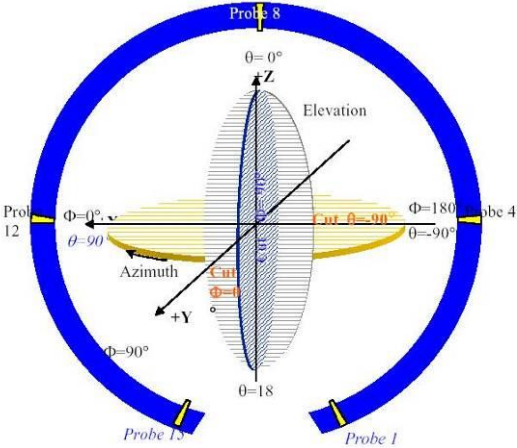


3D Radiation Pattern:

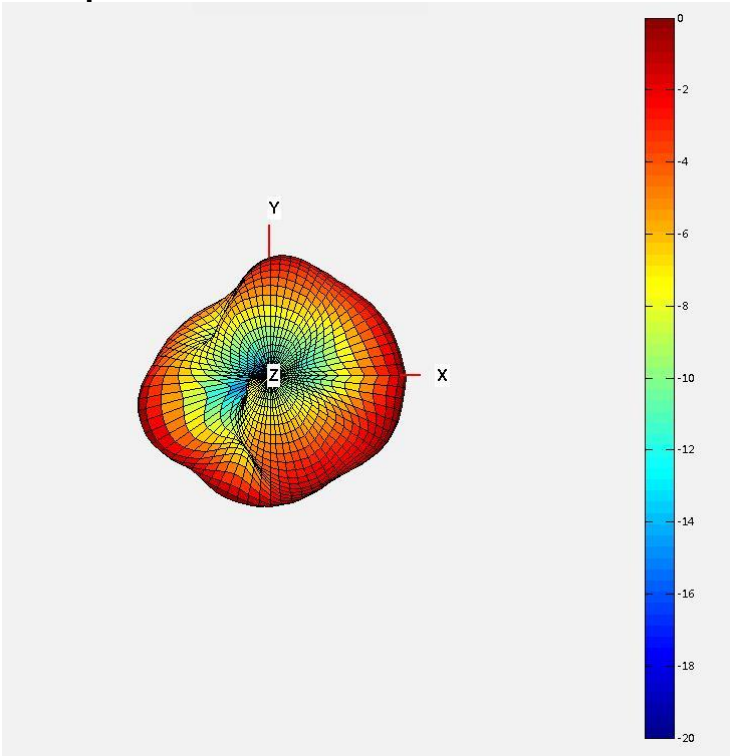
Test environment :

Room temperature : 25°C Humidity : 40%

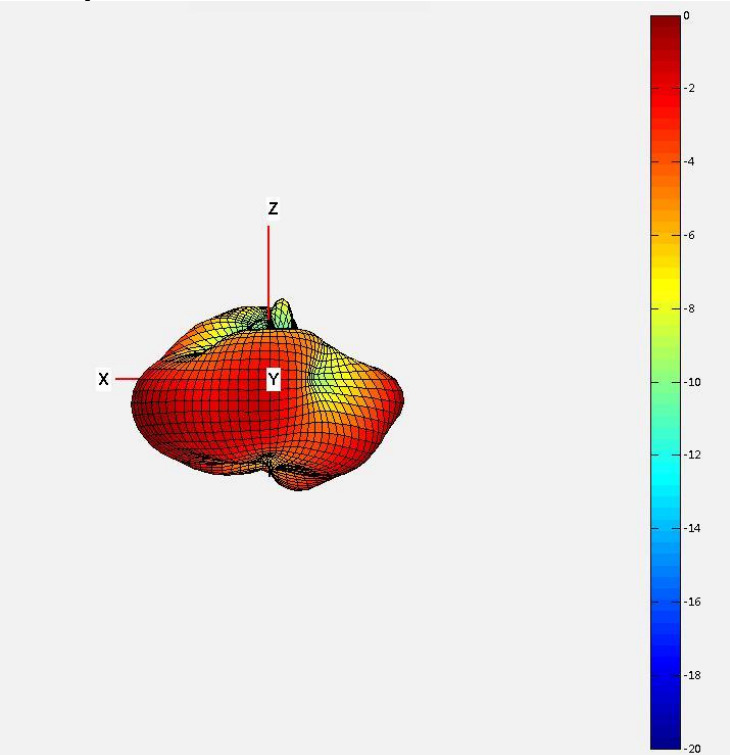
Test schematic:



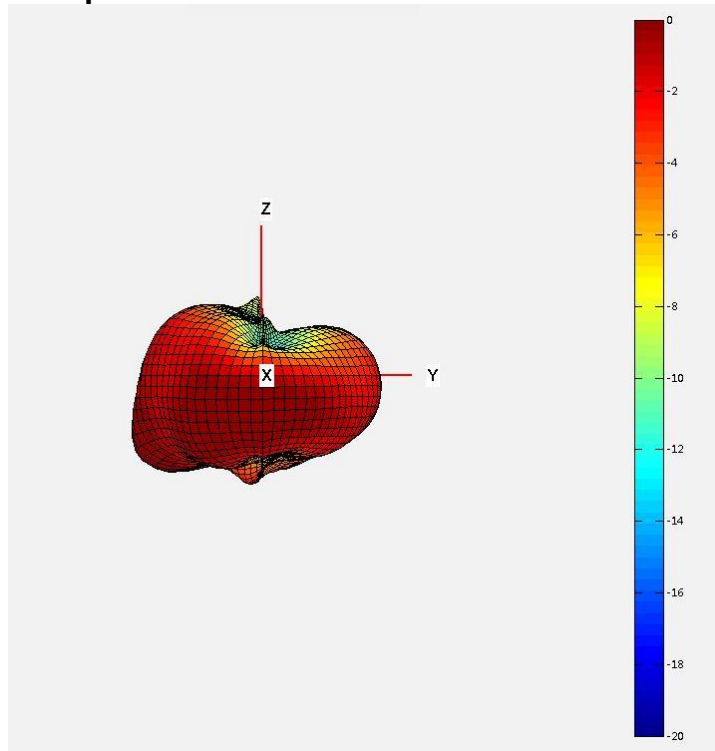
2450MHz X-Y plane



2450MHz X-Z plane



2450MHz Y-Z plane



Passive Performance:

Frequency (MHz)	Total Gain (dBi)	Efficiency (%)
2400	-0.21	45.08
2450	0.44	46.13
2500	-0.04	35.32

OneWave Electronic Co., Ltd.
2F., No.163, Sec. 1, Xi'an St.,
Beitou Dist.,
Taipei City 112, Taiwan
TEL: +886 2 2898-2220
FAX: +886 2 2898-5055