

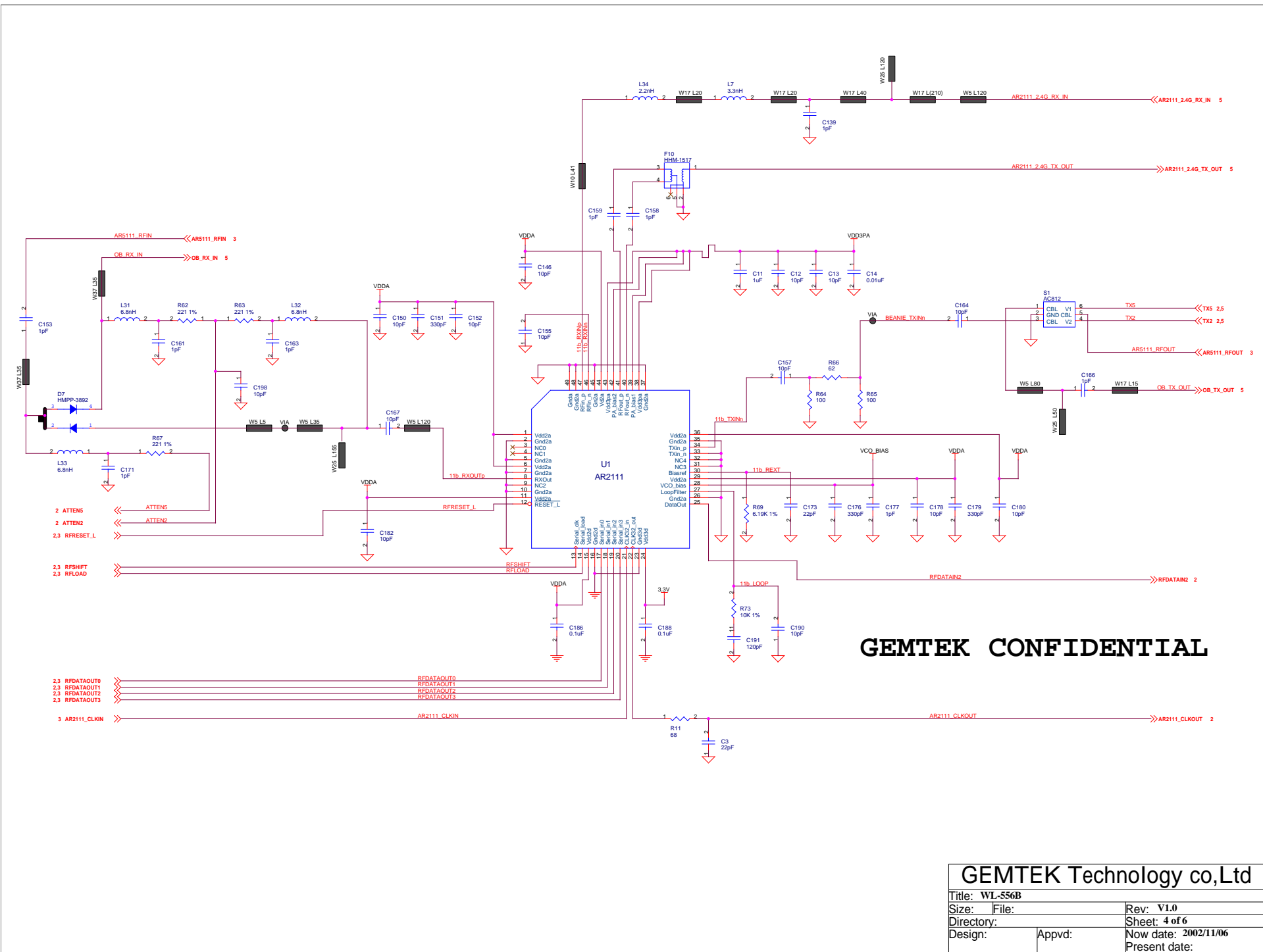
Mini PCI Type IIIA

WL-556B - 802.11a and 802.11b Combo Radio

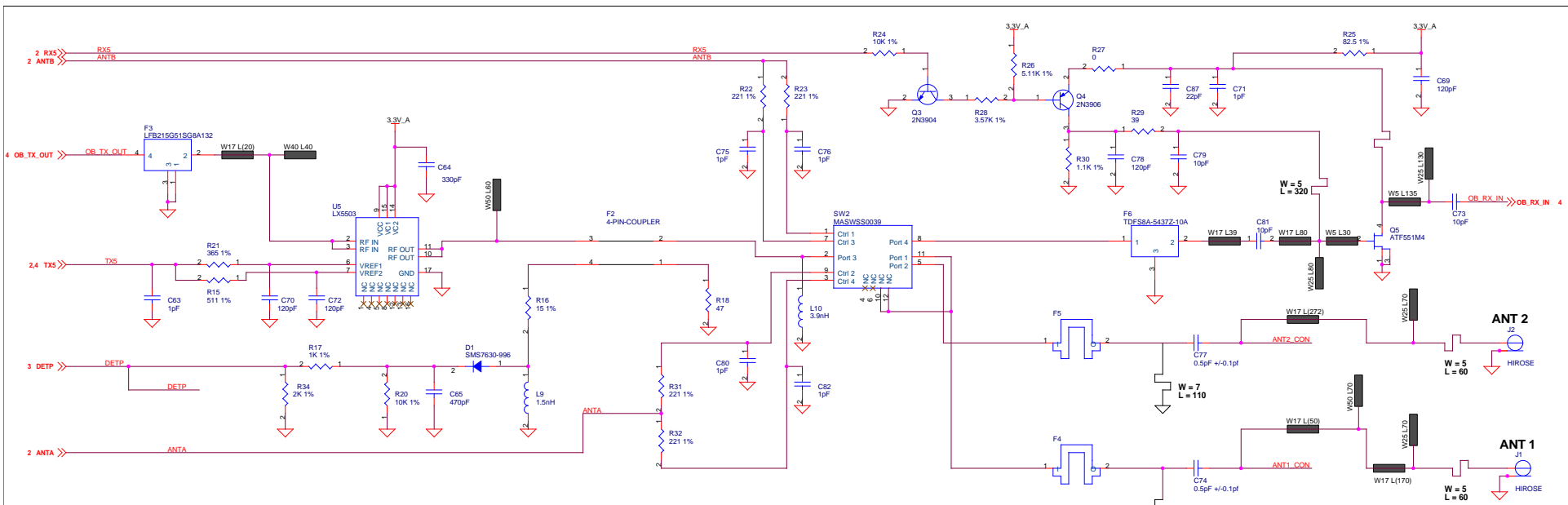
GEMTEK CONFIDENTIAL

GEMTEK Technology co,Ltd

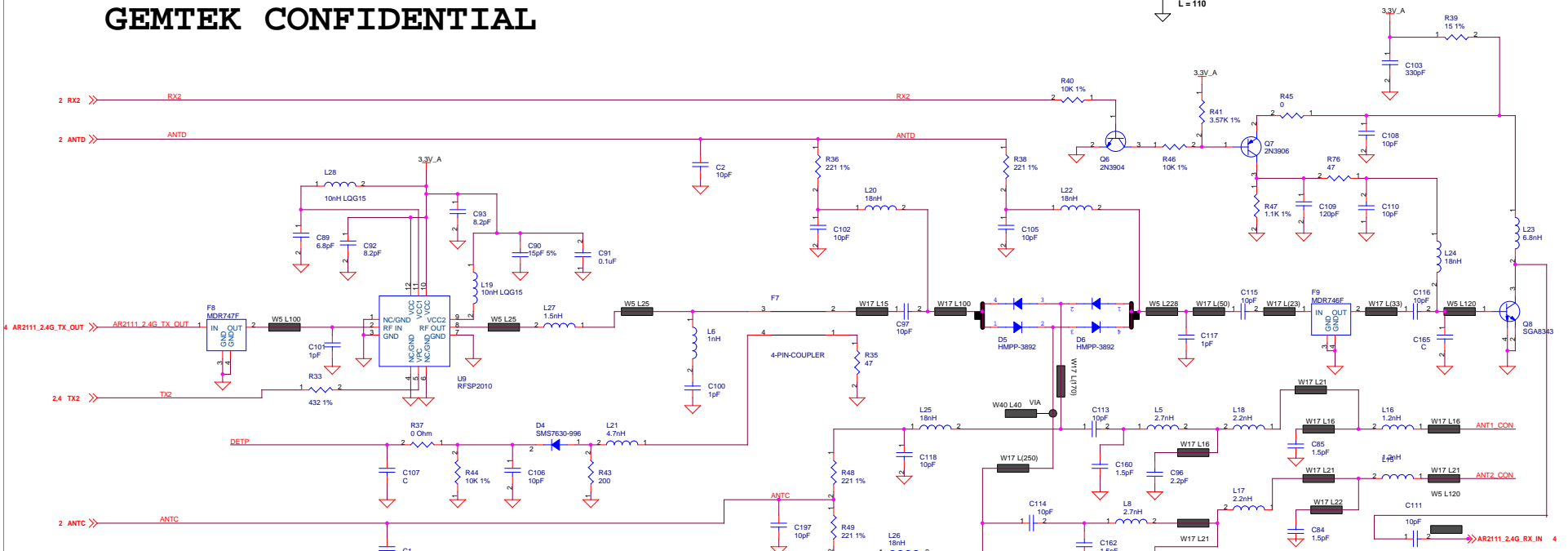
| | |
|----------------|--|
| Title: WL-556B | |
| Size: File: | Rev: V1.0 |
| Directory: | Sheet: 1 of 6 |
| Design: | Appvd: Now date: 2002/11/06 Present date: |



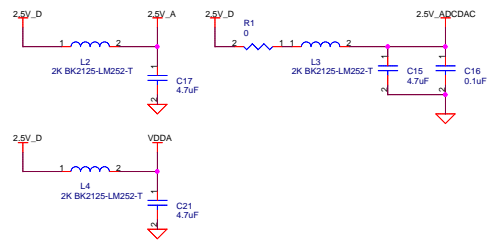
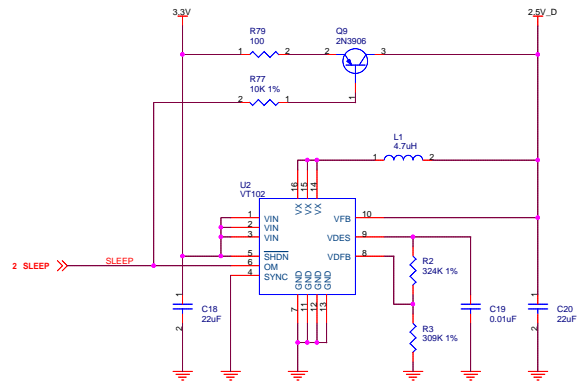
| | |
|---------------------------------|-----------------------------|
| GEMTEK Technology co,Ltd | |
| Title: WL-556B | |
| Size: File: | Rev: V1.0 |
| Directory: | Sheet: 4 of 6 |
| Design: | Appvd: Now date: 2002/11/06 |
| | Present date: |



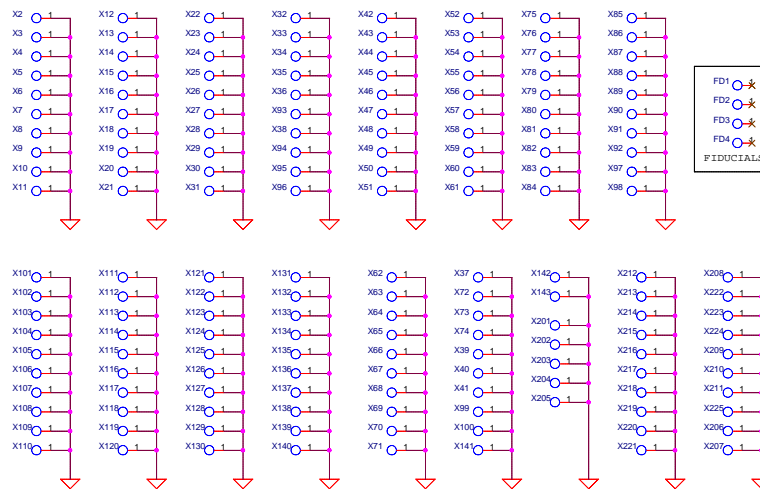
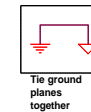
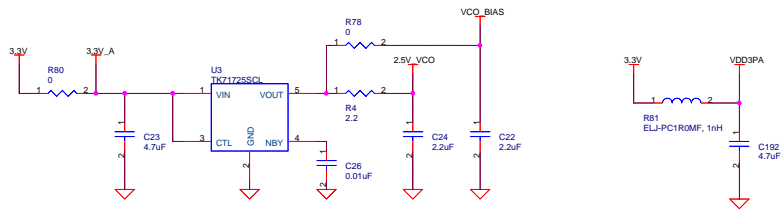
GEMTEK CONFIDENTIAL



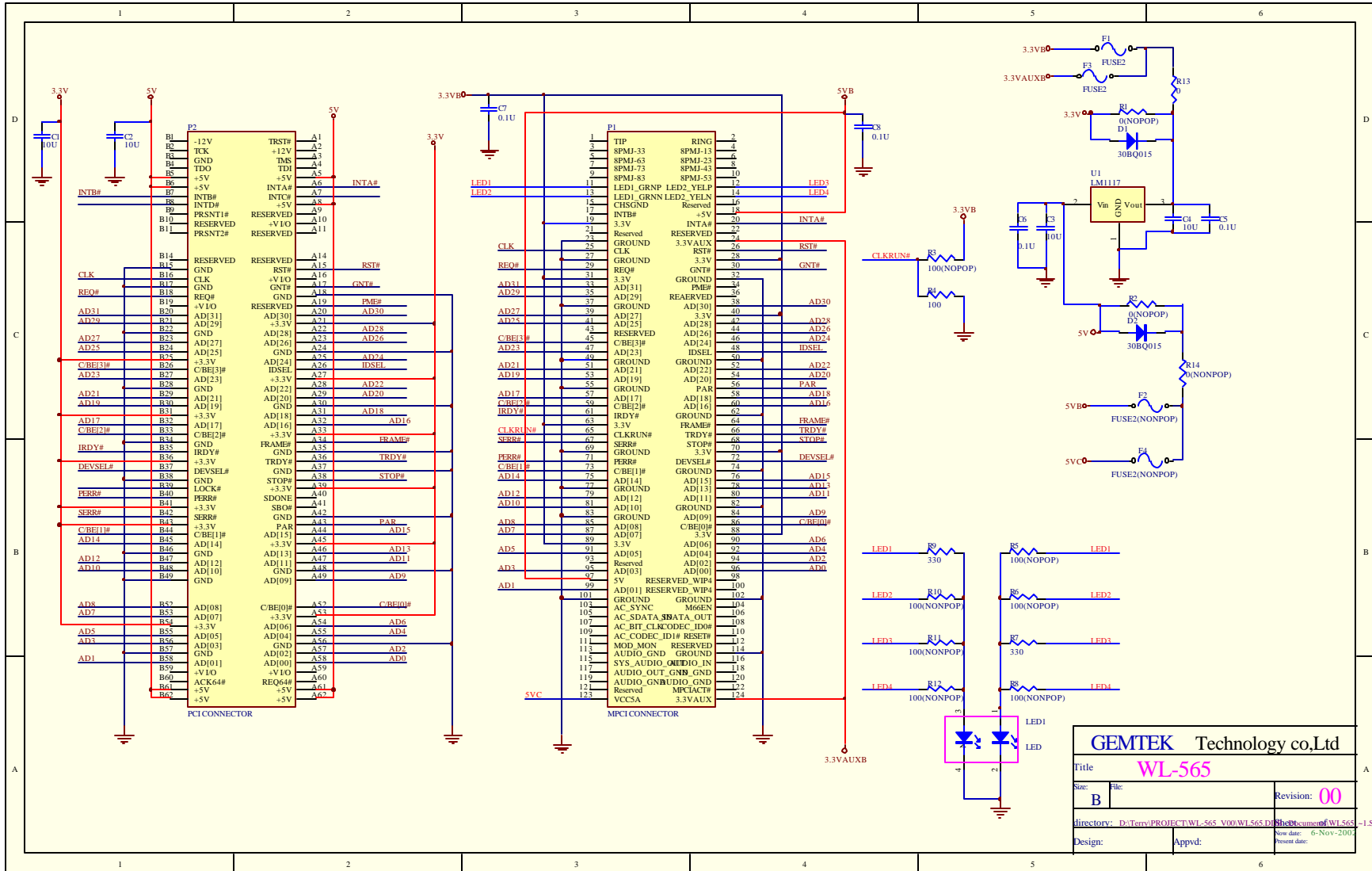
| | |
|---------------------------------|----------------------|
| GEMTEK Technology co,Ltd | |
| Title: WL-556B | Rev: V1.0 |
| Size: File: | Sheet: 5 of 6 |
| Directory: | Now date: 2002/11/06 |
| Design: | Appvd: Present date: |



GEMTEK CONFIDENTIAL



| | |
|---------------------------------|----------------------|
| GEMTEK Technology co,Ltd | |
| Title: WL-556B | Rev: V1.0 |
| Size: File: | Sheet: 6 of 6 |
| Directory: | Now date: 2002/11/06 |
| Design: | Appvd: Present date: |



| | | | | |
|----------|----------|----------|-----|----------|
| B14 | RESERVED | RESERVED | A14 | RST# |
| B15 | RESERVED | RESERVED | A15 | RST# |
| B16 | GND | RESERVED | A16 | GNT# |
| B17 | CLK | CLK | A17 | GNT# |
| B18 | REQ# | REQ# | A18 | GNT# |
| B19 | REQ# | GND | A19 | PME# |
| B20 | AD31 | RESERVED | A20 | AD30 |
| B21 | AD29 | AD[29] | A21 | AD28 |
| B22 | GND | AD[28] | A22 | AD28 |
| AD27 | B23 | AD[27] | A23 | AD26 |
| AD25 | B24 | AD[25] | A24 | AD24 |
| C/BE[3]# | B25 | AD[24] | A25 | AD24 |
| AD23 | B26 | C/BE[3]# | A26 | IDSEL |
| B27 | B27 | C/BE[3]# | A27 | IDSEL |
| B28 | GND | AD[22] | A28 | AD22 |
| AD21 | B29 | AD[21] | A29 | AD20 |
| AD19 | B30 | AD[19] | A30 | AD18 |
| B31 | B31 | AD[18] | A31 | AD18 |
| AD17 | B32 | AD[17] | A32 | AD16 |
| C/BE[2]# | B33 | C/BE[2]# | A33 | FRAME# |
| B34 | B34 | C/BE[2]# | A34 | FRAME# |
| IRDY# | B35 | GND | A35 | FRAME# |
| DEVSEL# | B36 | IRDY# | A36 | TRDY# |
| B37 | B37 | TRDY# | A37 | TRDY# |
| B38 | DEVSEL# | GND | A38 | STOP# |
| B39 | GND | STOP# | A39 | STOP# |
| B40 | LOCK# | LOCK# | A40 | SDONE |
| FERR# | B41 | FERR# | A41 | SDONE |
| SERR# | B42 | +3.3V | A42 | SBO# |
| C/BE[1]# | B43 | +3.3V | A43 | PAR |
| AD14 | B44 | C/BE[1]# | A44 | AD15 |
| B45 | B45 | AD[14] | A45 | AD15 |
| AD12 | B46 | GND | A46 | AD13 |
| AD11 | B47 | AD[11] | A47 | AD11 |
| AD10 | B48 | AD[10] | A48 | AD11 |
| B49 | B49 | GND | A49 | AD9 |
| AD9 | B50 | AD[9] | A50 | AD9 |
| AD8 | B51 | AD[8] | A51 | C/BE[0]# |
| AD7 | B52 | AD[7] | A52 | C/BE[0]# |
| B53 | B53 | AD[7] | A53 | AD6 |
| AD5 | B54 | +3.3V | A54 | AD6 |
| AD3 | B55 | +3.3V | A55 | AD4 |
| AD1 | B56 | AD[05] | A56 | AD4 |
| B57 | B57 | AD[05] | A57 | AD2 |
| B58 | B58 | GND | A58 | AD0 |
| B59 | B59 | AD[01] | A59 | AD0 |
| B60 | B60 | AD[00] | A60 | AD0 |
| B61 | B61 | +VIO | A61 | AD0 |
| B62 | B62 | ACK64# | A62 | AD0 |
| | | +5V | A63 | AD0 |
| | | +5V | A64 | AD0 |

| | | | |
|-----|------------|-----|------------|
| 1 | TIP | 4 | RING |
| 2 | SPM1-33 | 5 | SPM1-13 |
| 3 | SPM1-63 | 6 | SPM1-23 |
| 4 | SPM1-73 | 7 | SPM1-43 |
| 5 | SPM1-83 | 8 | SPM1-53 |
| 6 | LED1, GRNP | 9 | LED2, YELP |
| 7 | LED1, GRNP | 10 | LED2, YELP |
| 8 | LED1, GRNP | 11 | LED2, YELP |
| 9 | LED1, GRNP | 12 | LED2, YELP |
| 10 | LED1, GRNP | 13 | LED2, YELP |
| 11 | LED1, GRNP | 14 | LED2, YELP |
| 12 | LED1, GRNP | 15 | LED2, YELP |
| 13 | LED1, GRNP | 16 | LED2, YELP |
| 14 | LED1, GRNP | 17 | LED2, YELP |
| 15 | LED1, GRNP | 18 | LED2, YELP |
| 16 | LED1, GRNP | 19 | LED2, YELP |
| 17 | LED1, GRNP | 20 | LED2, YELP |
| 18 | LED1, GRNP | 21 | LED2, YELP |
| 19 | LED1, GRNP | 22 | LED2, YELP |
| 20 | LED1, GRNP | 23 | LED2, YELP |
| 21 | LED1, GRNP | 24 | LED2, YELP |
| 22 | LED1, GRNP | 25 | LED2, YELP |
| 23 | LED1, GRNP | 26 | LED2, YELP |
| 24 | LED1, GRNP | 27 | LED2, YELP |
| 25 | LED1, GRNP | 28 | LED2, YELP |
| 26 | LED1, GRNP | 29 | LED2, YELP |
| 27 | LED1, GRNP | 30 | LED2, YELP |
| 28 | LED1, GRNP | 31 | LED2, YELP |
| 29 | LED1, GRNP | 32 | LED2, YELP |
| 30 | LED1, GRNP | 33 | LED2, YELP |
| 31 | LED1, GRNP | 34 | LED2, YELP |
| 32 | LED1, GRNP | 35 | LED2, YELP |
| 33 | LED1, GRNP | 36 | LED2, YELP |
| 34 | LED1, GRNP | 37 | LED2, YELP |
| 35 | LED1, GRNP | 38 | LED2, YELP |
| 36 | LED1, GRNP | 39 | LED2, YELP |
| 37 | LED1, GRNP | 40 | LED2, YELP |
| 38 | LED1, GRNP | 41 | LED2, YELP |
| 39 | LED1, GRNP | 42 | LED2, YELP |
| 40 | LED1, GRNP | 43 | LED2, YELP |
| 41 | LED1, GRNP | 44 | LED2, YELP |
| 42 | LED1, GRNP | 45 | LED2, YELP |
| 43 | LED1, GRNP | 46 | LED2, YELP |
| 44 | LED1, GRNP | 47 | LED2, YELP |
| 45 | LED1, GRNP | 48 | LED2, YELP |
| 46 | LED1, GRNP | 49 | LED2, YELP |
| 47 | LED1, GRNP | 50 | LED2, YELP |
| 48 | LED1, GRNP | 51 | LED2, YELP |
| 49 | LED1, GRNP | 52 | LED2, YELP |
| 50 | LED1, GRNP | 53 | LED2, YELP |
| 51 | LED1, GRNP | 54 | LED2, YELP |
| 52 | LED1, GRNP | 55 | LED2, YELP |
| 53 | LED1, GRNP | 56 | LED2, YELP |
| 54 | LED1, GRNP | 57 | LED2, YELP |
| 55 | LED1, GRNP | 58 | LED2, YELP |
| 56 | LED1, GRNP | 59 | LED2, YELP |
| 57 | LED1, GRNP | 60 | LED2, YELP |
| 58 | LED1, GRNP | 61 | LED2, YELP |
| 59 | LED1, GRNP | 62 | LED2, YELP |
| 60 | LED1, GRNP | 63 | LED2, YELP |
| 61 | LED1, GRNP | 64 | LED2, YELP |
| 62 | LED1, GRNP | 65 | LED2, YELP |
| 63 | LED1, GRNP | 66 | LED2, YELP |
| 64 | LED1, GRNP | 67 | LED2, YELP |
| 65 | LED1, GRNP | 68 | LED2, YELP |
| 66 | LED1, GRNP | 69 | LED2, YELP |
| 67 | LED1, GRNP | 70 | LED2, YELP |
| 68 | LED1, GRNP | 71 | LED2, YELP |
| 69 | LED1, GRNP | 72 | LED2, YELP |
| 70 | LED1, GRNP | 73 | LED2, YELP |
| 71 | LED1, GRNP | 74 | LED2, YELP |
| 72 | LED1, GRNP | 75 | LED2, YELP |
| 73 | LED1, GRNP | 76 | LED2, YELP |
| 74 | LED1, GRNP | 77 | LED2, YELP |
| 75 | LED1, GRNP | 78 | LED2, YELP |
| 76 | LED1, GRNP | 79 | LED2, YELP |
| 77 | LED1, GRNP | 80 | LED2, YELP |
| 78 | LED1, GRNP | 81 | LED2, YELP |
| 79 | LED1, GRNP | 82 | LED2, YELP |
| 80 | LED1, GRNP | 83 | LED2, YELP |
| 81 | LED1, GRNP | 84 | LED2, YELP |
| 82 | LED1, GRNP | 85 | LED2, YELP |
| 83 | LED1, GRNP | 86 | LED2, YELP |
| 84 | LED1, GRNP | 87 | LED2, YELP |
| 85 | LED1, GRNP | 88 | LED2, YELP |
| 86 | LED1, GRNP | 89 | LED2, YELP |
| 87 | LED1, GRNP | 90 | LED2, YELP |
| 88 | LED1, GRNP | 91 | LED2, YELP |
| 89 | LED1, GRNP | 92 | LED2, YELP |
| 90 | LED1, GRNP | 93 | LED2, YELP |
| 91 | LED1, GRNP | 94 | LED2, YELP |
| 92 | LED1, GRNP | 95 | LED2, YELP |
| 93 | LED1, GRNP | 96 | LED2, YELP |
| 94 | LED1, GRNP | 97 | LED2, YELP |
| 95 | LED1, GRNP | 98 | LED2, YELP |
| 96 | LED1, GRNP | 99 | LED2, YELP |
| 97 | LED1, GRNP | 100 | LED2, YELP |
| 98 | LED1, GRNP | 101 | LED2, YELP |
| 99 | LED1, GRNP | 102 | LED2, YELP |
| 100 | LED1, GRNP | 103 | LED2, YELP |
| 101 | LED1, GRNP | 104 | LED2, YELP |
| 102 | LED1, GRNP | 105 | LED2, YELP |
| 103 | LED1, GRNP | 106 | LED2, YELP |
| 104 | LED1, GRNP | 107 | LED2, YELP |
| 105 | LED1, GRNP | 108 | LED2, YELP |
| 106 | LED1, GRNP | 109 | LED2, YELP |
| 107 | LED1, GRNP | 110 | LED2, YELP |
| 108 | LED1, GRNP | 111 | LED2, YELP |
| 109 | LED1, GRNP | 112 | LED2, YELP |
| 110 | LED1, GRNP | 113 | LED2, YELP |
| 111 | LED1, GRNP | 114 | LED2, YELP |
| 112 | LED1, GRNP | 115 | LED2, YELP |
| 113 | LED1, GRNP | 116 | LED2, YELP |
| 114 | LED1, GRNP | 117 | LED2, YELP |
| 115 | LED1, GRNP | 118 | LED2, YELP |
| 116 | LED1, GRNP | 119 | LED2, YELP |
| 117 | LED1, GRNP | 120 | LED2, YELP |
| 118 | LED1, GRNP | 121 | LED2, YELP |
| 119 | LED1, GRNP | 122 | LED2, YELP |
| 120 | LED1, GRNP | 123 | LED2, YELP |
| 121 | LED1, GRNP | 124 | LED2, YELP |
| 122 | LED1, GRNP | | |
| 123 | LED1, GRNP | | |
| 124 | LED1, GRNP | | |

| | |
|---|----------------------------------|
| GEMTEK Technology co.,Ltd | |
| File: WL-565 | |
| Src: B | File: Revision: 00 |
| Directorv: D:\Terra\PROJECT\WL-565_V00\WL-565.D | Design: Present date: 6-Nov-2003 |
| Appvd: | |