



Wireless USB Adapter

Model **NWU11B**

S/N

MAC

IC: 3839A-XXXXX

FCC ID: PWK-MWU11B

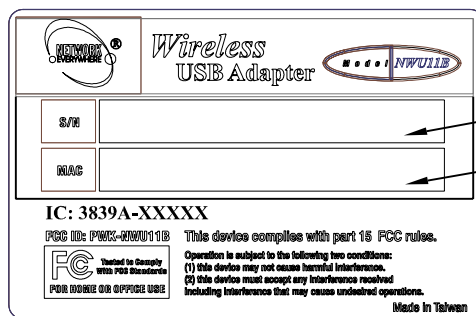
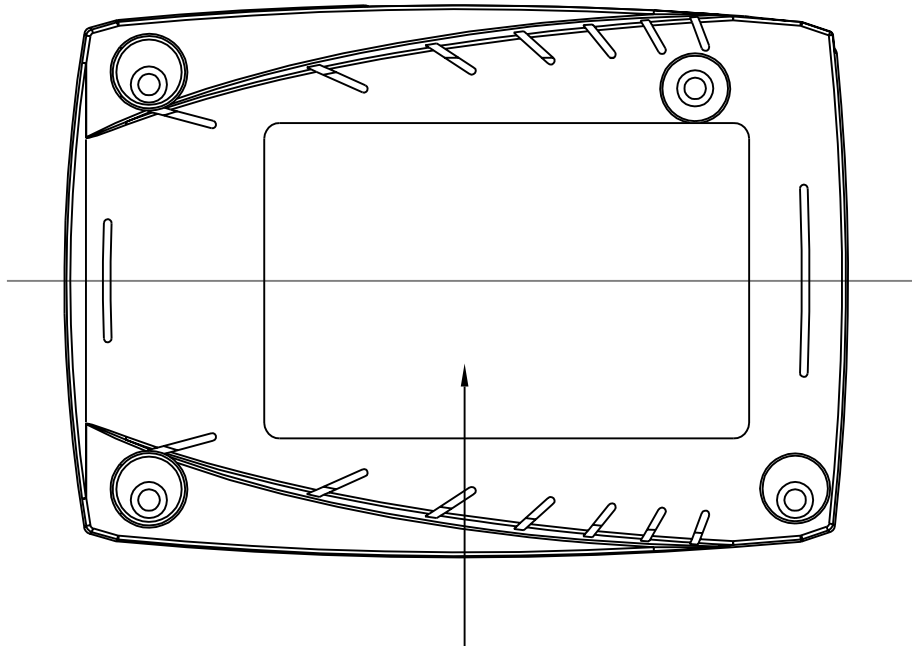


This device complies with part 15 FCC rules.

Operation is subject to the following two conditions:

- (1) this device may not cause harmful interference.
- (2) this device must accept any interference received including interference that may cause undesired operations.

Made in Taiwan



S/N Label

MAC Address

Back Label

MDN0028XXXXX

S/N Label

注意: 1. Back label 需貼於凹槽內，且位置居中，請注意張貼方向。

2. S/N Label: M= GemTek, DN= Product Code, 00= 版本別(請依實際版本變更),
2= Year 2002, 8=August, XXXXX= 流水號, 並請注意 10~12月之月份代碼為A.B.C

品名	S/N label	P / N	402-900-0477	規格	20*4mm
品名	Back label	P / N	402-100-0511	規格	62*40mmR1.5
 正文科技股份有限公司 Gemtek Technology Co., Ltd.			TITLE : 包裝作業指導書		DOCUMENT NO: REV. 1.0