

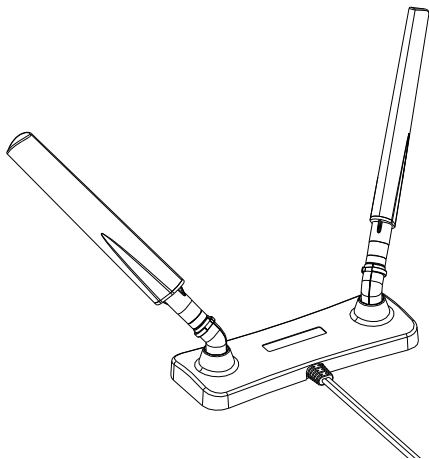
---

# **GENERAL DYNAMICS**

Broadband

**External MIMO Antenna for LTE modem**

**USER MANUAL**



---

## General Information

In order to improve the data transmission parameters, a special external antenna (model: LTE-ODUP001-IPW) has been designed to interwork with the LTE USB-stick modem. The antenna base has a build-in magnet which facilitates the installation on metal surfaces e.g. metal windowsills. With the fixings provided it is also possible to secure the antenna to an internal or external walls.

The antenna is equipped with a 3 meter cable terminated with the RF connector for connecting to the modem.

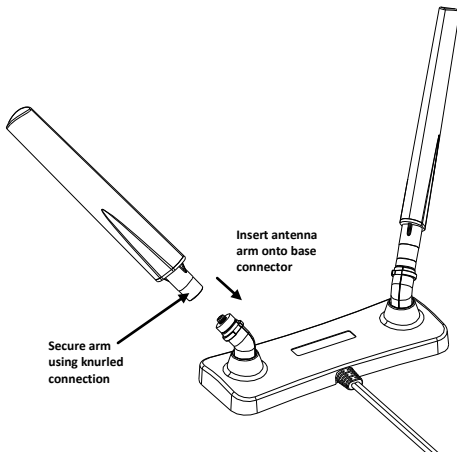
## Specification

Frequency range	690-750 MHz 1710-1880 MHz 2500-2700 MHz
Gain:	max 2dBi
Polarisation	Linear, +/- 45°
Output power	max 4W
Operating temperature	-20°C to +55°C
Cable Length	3 m

---

## Installation instructions

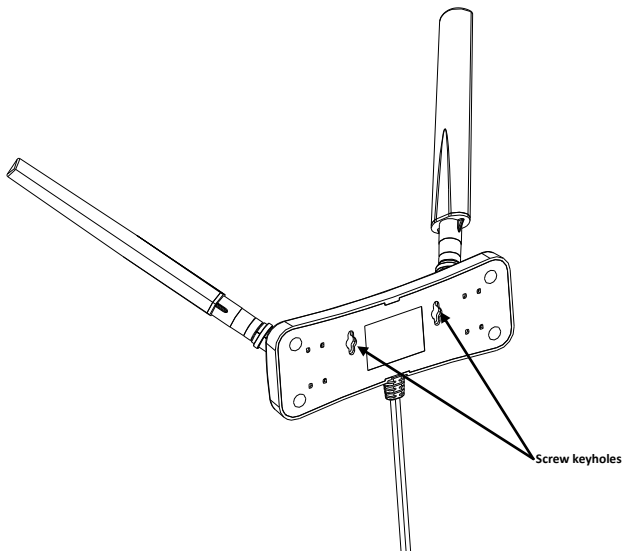
Before connecting to the modem, two antenna arms shall be connected to the base. After attaching the antenna arms, they are positioned at a fixed factory tilt angle (i.e. approx. 45 degrees relative to the base).



---

## Installation on the wall

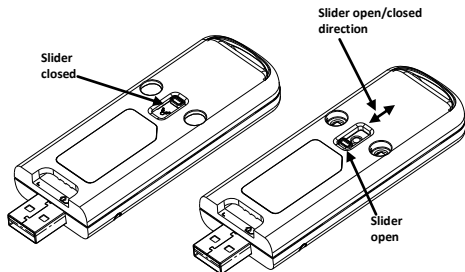
- Screw the supplied screws into the wall in such a way that the screws match the 'keyholes' in the base so that after installation the antenna is fastened in the horizontal position. The screw heads should protrude approximately 1.5mm from the wall.
- Then the antenna shall be hung up in such a way that its arms are facing the upward direction under the angle as depicted in the picture below. Make sure that the screw heads are in the narrow side of the opening in the base of the antenna



---

## Connecting the antenna to the modem

- Before connecting to the modem, move the slider covering the antenna connector at the bottom of the USB modem to the “open” position.



- Connecting the antenna to the modem is shown in the picture below. Connectors of the antenna cable must be carefully inserted vertically into ports in the enclosure of the modem.

