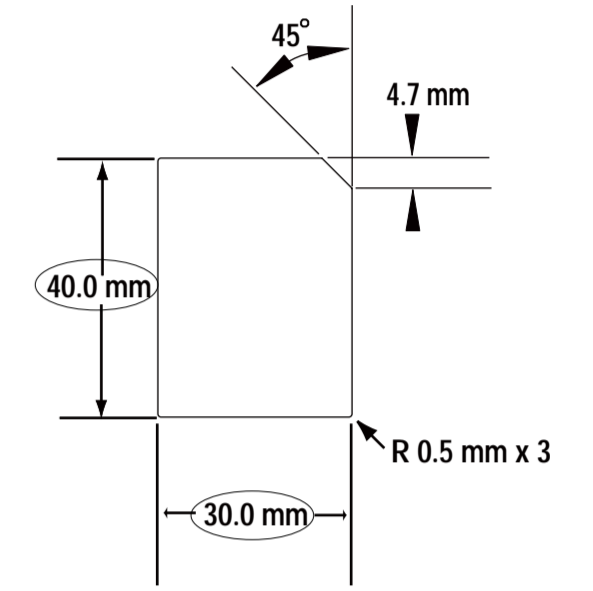
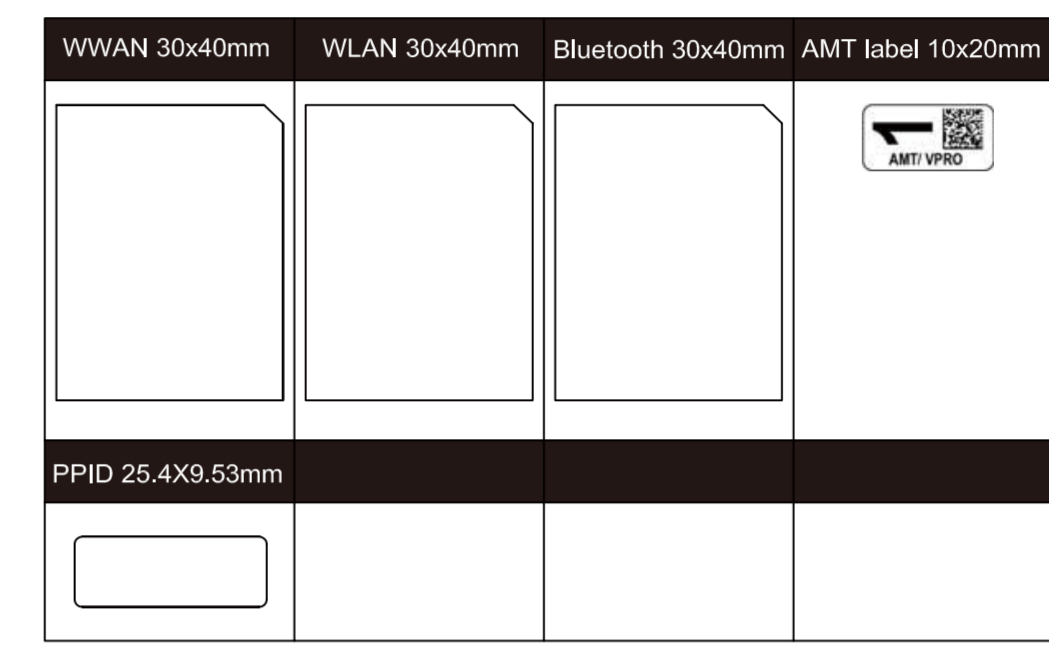
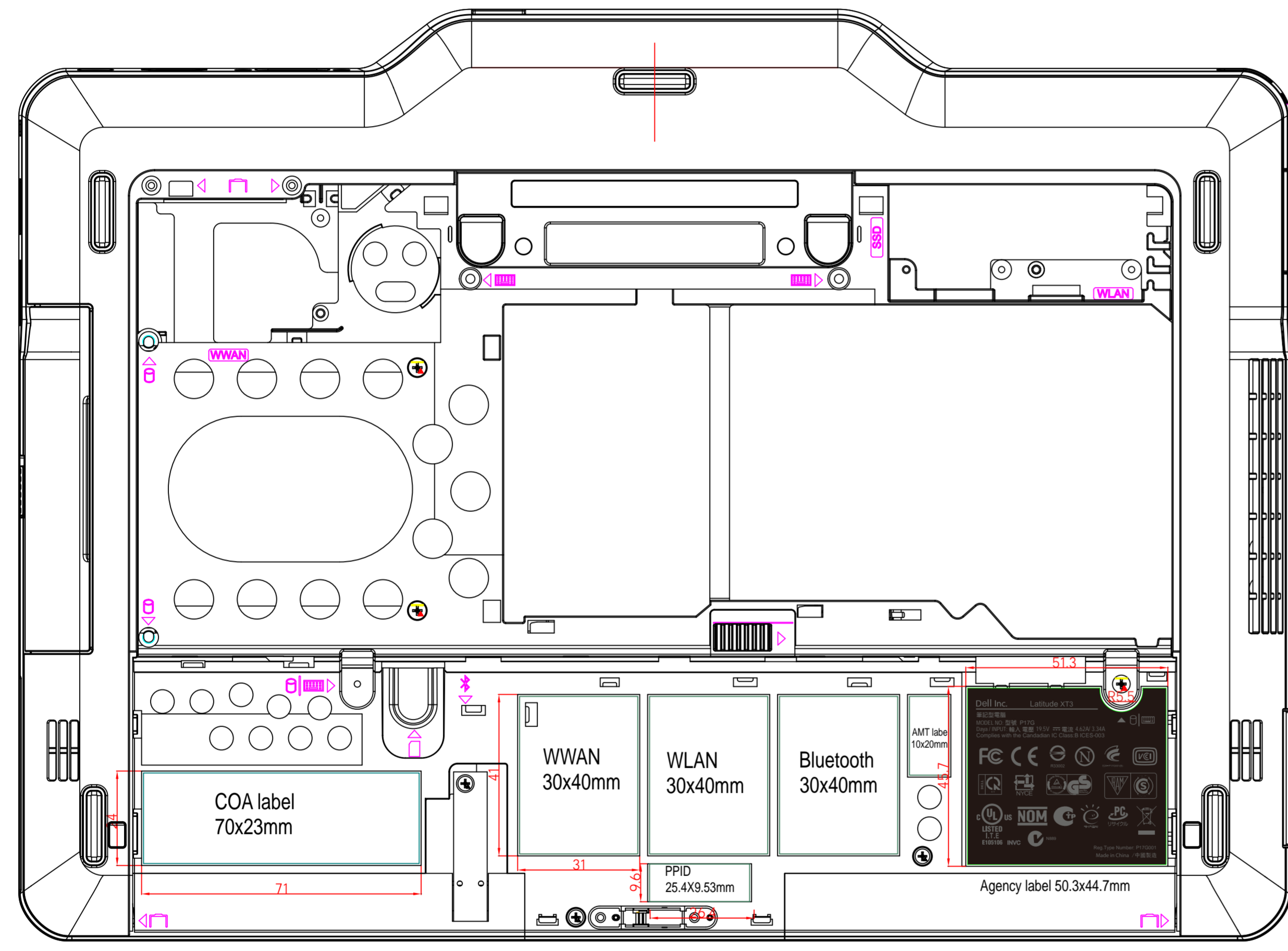


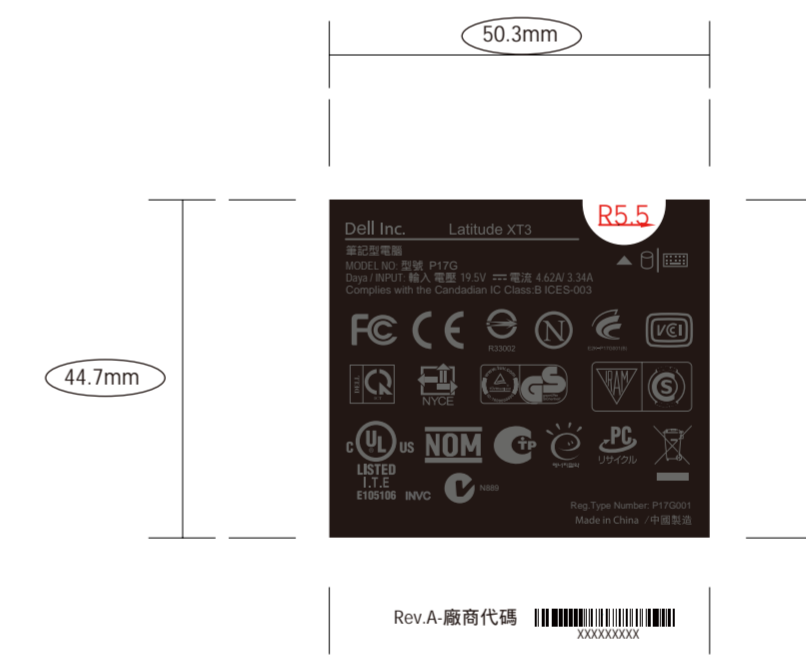
THIS DRAWING AND SPECIFICATIONS, HEREIN, ARE THE PROPERTY OF INVENTEC CORPORATION AND SHALL NOT BE REPRODUCED, COPIED, OR USED IN WHOLE OR IN PART AS THE BASIS FOR THE MANUFACTURE OR SALE OF ITEMS WITHOUT WRITTEN PERMISSION, INVENTEC CORPORATION.

LEGEND			
DESIGNER	PART NO	REV	VARIATION
-	-	XXX	AS SHOWN

Patron Bottom- (Battery) label location



Agency label: 50.3x44.7mm



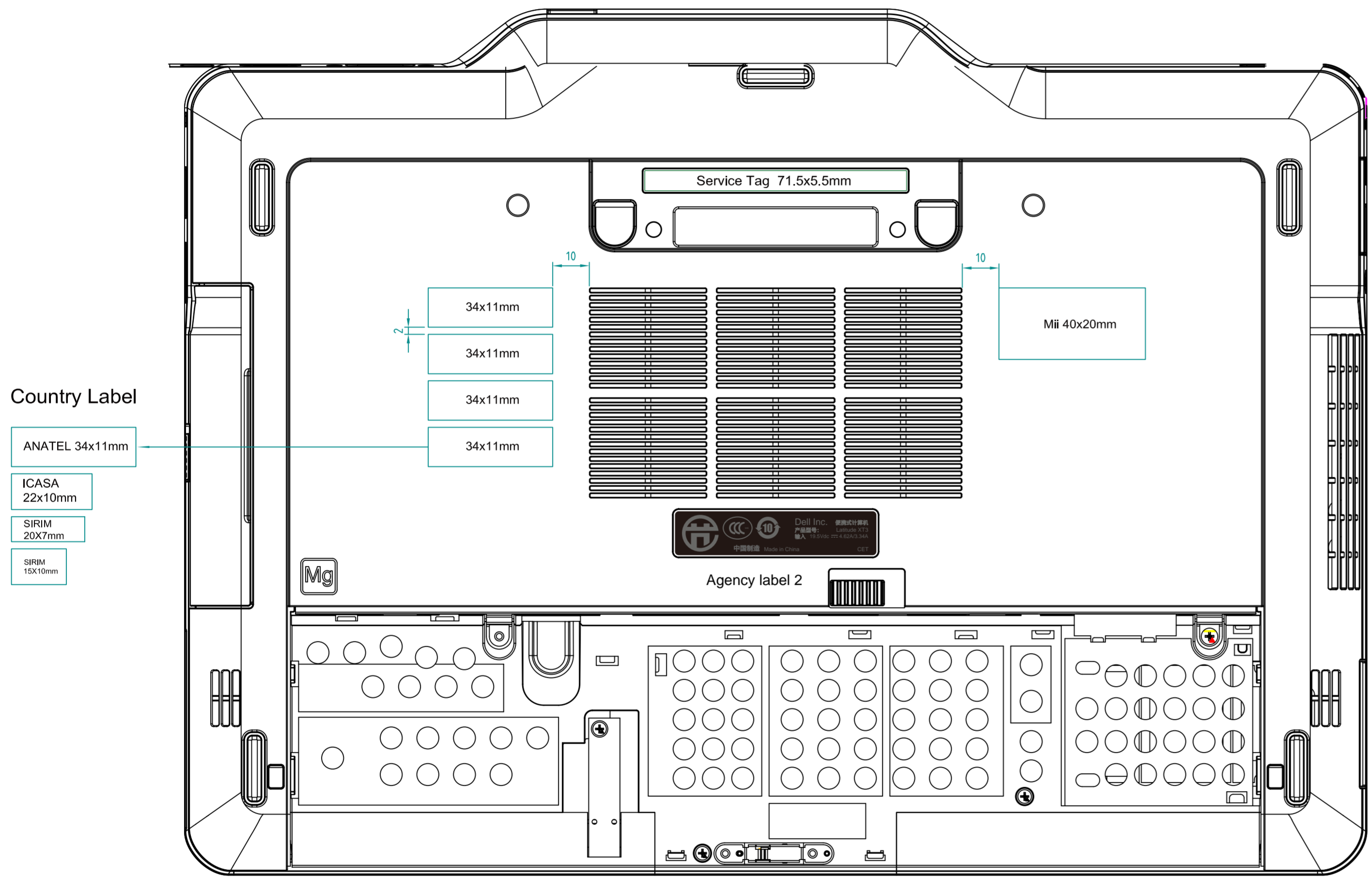
REVISION HISTORY			
CHANGE NO	REV	DATE	INITIAL
	A		

MODEL NO. Patron		Inventec CORPORATION <small>CONFIDENTIAL</small>	
DESIGNER Connie	D:28 M:10 Y:10	TITLE Patron Bottom label -(Bettery) location	
APPROVER Milk	D:28 M:10 Y:10	DOCUMENT NUMBER	
THIRD ANGLE PROJECTION DO NOT SCALE DRAWING		SIZE CODE NUMBER	REV ID_VER
LINEAR X X.X X.XX	SCALE: 1:1	UNIT: mm	SHEET: 1 OF 1
MM	FILE NAME	Patron Bottom label location	
INCH			IP_REV IP_VER

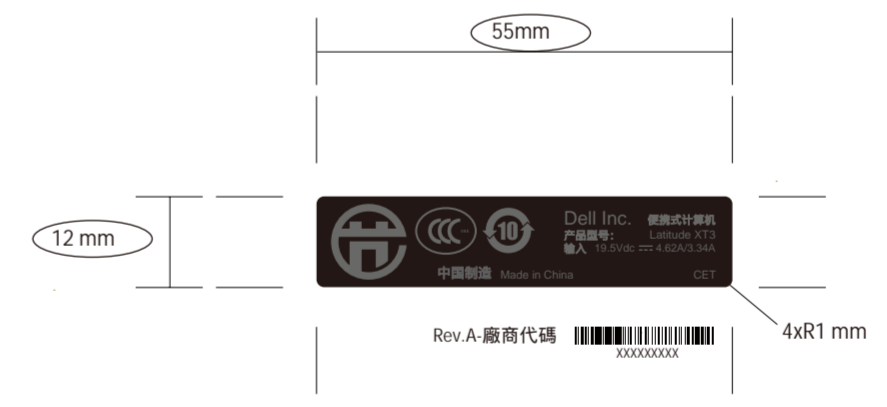
THIS DRAWING AND SPECIFICATIONS, HEREIN, ARE THE PROPERTY OF INVENTEC CORPORATION AND SHALL NOT BE REPRODUCED, COPIED, OR USED IN WHOLE OR IN PART AS THE BASIS FOR THE MANUFACTURE OR SALE OF ITEMS WITHOUT WRITTEN PERMISSION, INVENTEC CORPORATION.

LEGEND			
DESIGNER	PART NO	REV	VARIATION
-	-	XXX	AS SHOWN

Patron Bottom label location D



Agency label 2: 55x12mm



REVISION HISTORY			
CHANGE NO	REV	DATE	INITIAL
	A		

MODEL NO.	Patron					CONFIDENTIAL			
DESIGNER	Connie								
APPROVER	Milk			TITLE					
				Patron Bottom label location D					
				DOCUMENT NUMBER					
				SIZE	CODE	NUMBER	REV	iD_VER	
				-	-				
				SCALE: 1:1		UNIT: mm		SHEET: 1 OF 1	
				FILE NAME				iP_REV	iP_VER
				Patron Bottom label location					