

**Appendix D. SAR Test Setup Photos**



**Front, Test Separation 10 mm**



**Back, Test Separation 10 mm**



**Right Side, Test Separation 10 mm**

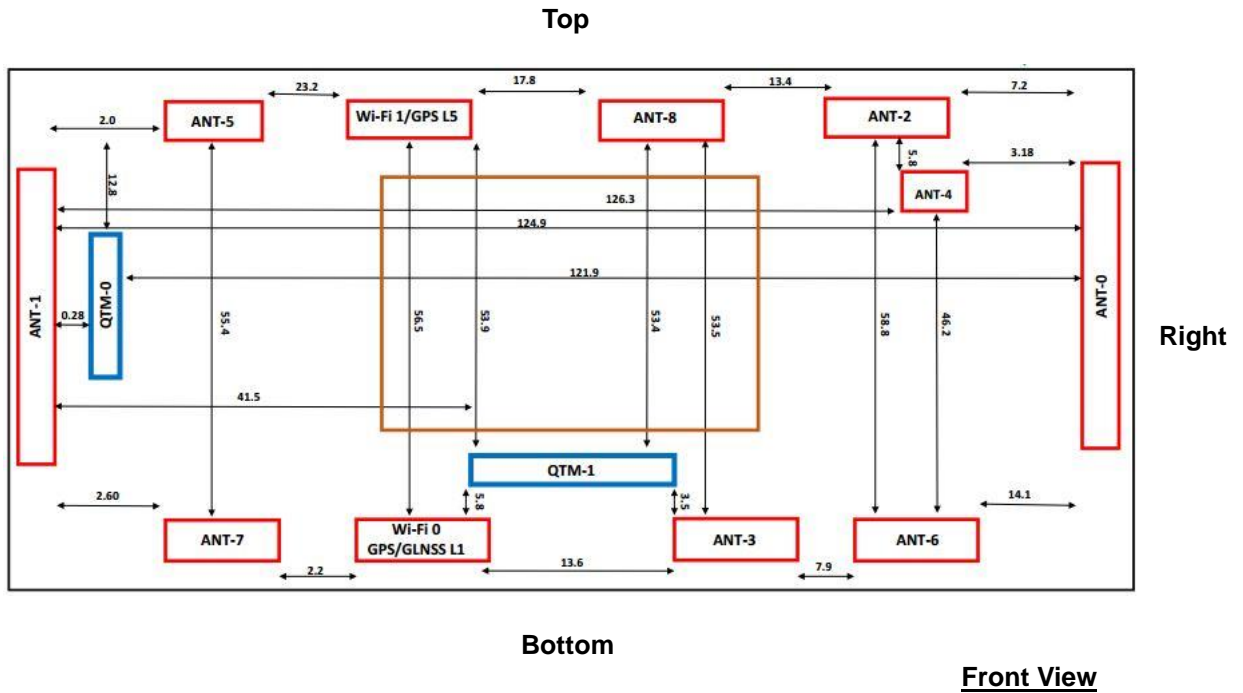


**Top Side, Test Separation 10 mm**



**Bottom Side, Test Separation 10 mm**

Appendix D. Antenna Location



Antenna support band	
ANT 0	UMTS B2/B4/B5, LTE B2/B4/B5/B7/B12/B13/B14/B17/B66, NR n2/n5/n66
ANT 4	LTE B48
ANT 8	LTE B2/B4/B66, NR n2/n66
QTM-0	n260/261
QTM-1	n260/261

Distance of the Antenna to the EUT surface/edge						
Antennas	Front	Back	Top Side	Bottom Side	Right Side	Left Side
WWAN Ant 0	≤ 25mm	≤ 25mm	≤ 25mm	≤ 25mm	≤ 25mm	>25mm
WWAN Ant 4	≤ 25mm	≤ 25mm	≤ 25mm	≤ 25mm	≤ 25mm	>25mm
WWAN Ant 8	≤ 25mm	≤ 25mm	≤ 25mm	>25mm	>25mm	>25mm