



# FCC Part 96.47 Test Report

**Applicant** : Inseego Corp.  
**Equipment** : wireless device  
**Brand Name** : Inseego  
**Model Name** : FG2000-3,FG2000e-3  
**FCC ID** : PKRISGFG20003  
**Standard** : FCC Part 96.47  
**TEST DATE(S)** : Nov. 06, 2020

We, Sporton International (Kunshan) Inc., would like to declare that the tested sample has been evaluated in accordance with the test procedures and has been in compliance with the applicable technical standards.

The test results in this report apply exclusively to the tested model / sample. Without written approval of Sporton International (Kunshan) Inc., the test report shall not be reproduced except in full.

Reviewed by: Jason Jia / Supervisor

Approved by: Alex Wang / Manager



**Sporton International (Kunshan) Inc.**

No. 1098, Pengxi North Road, Kunshan Economic Development Zone Jiangsu Province 215300  
People's Republic of China



# Table of Contents

**1 GENERAL DESCRIPTION ..... 5**

1.1 APPLICANT ..... 5

1.2 MANUFACTURER ..... 5

1.3 PRODUCT FEATURE OF EQUIPMENT UNDER TEST..... 5

1.4 PRODUCT SPECIFICATION OF EQUIPMENT UNDER TEST ..... 6

1.5 TESTING LOCATION..... 6

1.6 TEST SOFTWARE ..... 6

1.7 APPLICABLE STANDARDS..... 6

**2 TEST CONFIGURATION OF EQUIPMENT UNDER TEST ..... 7**

2.1 CONNECTION DIAGRAM OF TEST SYSTEM ..... 7

**3 END USER DEVICE ADDITIONAL REQUIREMENT ..... 8**

3.1 TEST REQUIREMENT ..... 8

3.2 TEST PROCEDURE..... 8

3.3 TEST RESULT ..... 9

**4 LIST OF MEASURING EQUIPMENT ..... 13**

**APPENDIX A. TEST SETUP PHOTO**





### Summary of Test Result

Report Clause	Ref Std. Clause	Test Items	Result (PASS/FAIL)	Remark
3	96.47	End User Device additional requirement	Pass	-



# 1 General Description

## 1.1 Applicant

Inseego Corp.  
9710 Scranton Road, Suite 200 San Diego, CA 92121

## 1.2 Manufacturer

MeiG Smart Technology Co., Ltd  
Floor 2, Office Building No.5, Lingxia Road, Fenghuang Community, Fuyong Street, Bao 'an District, Shenzhen

## 1.3 Product Feature of Equipment Under Test

Product Feature	
Equipment	wireless device
Brand Name	Inseego
Model Name	FG2000-3,FG2000e-3
FCC ID	PKRISGFG20003
EUT supports Radios application	WCDMA/LTE/5G NR/GNSS WLAN 2.4GHz 802.11b/g/n HT20/HT40 WLAN 2.4GHz 802.11ax HE20/HE40 WLAN 5GHz 802.11a/n HT20/HT40 WLAN 5GHz 802.11ac VHT20/VHT40/VHT80 WLAN 5GHz 802.11ax HE20/HE40/HE80 Bluetooth LE
IMEI Code	990016260002868/990016260002744
HW Version	FG20003_SRT860H_V2.1
SW Version	2.52
EUT Stage	Identical Prototype

**Remark:**

1. The above EUT's information was declared by manufacturer. Please refer to the specifications or user's manual for more detailed description.
2. This is a variant report for FG2000-3,FG2000e-3. For change note, please refer the FG2000-3,FG2000e-3\_Class II Permissive Change letter exhibit separately. Since the test result is not affected by the changes, all the test results are leveraged from original report which can be referred to Sporton Report Number FG082811J

### 1.4 Product Specification of Equipment Under Test

Standards-related Product Specification	
Tx Frequency	LTE Band 48: 3552.5 MHz ~ 3697.5 MHz
Rx Frequency	LTE Band 48: 3552.5 MHz ~ 3697.5 MHz
Antenna Type	PCB Antenna
Antenna Gain	3.3dBi
Type of Modulation	QPSK / 16QAM / 64QAM / 256QAM

### 1.5 Testing Location

Sporton International (Kunshan) Inc. is accredited to ISO/IEC 17025:2017 by American Association for Laboratory Accreditation with Certificate Number 5145.02.

Test Firm	Sporton International (Kunshan) Inc.		
Test Site Location	No. 1098, Pengxi North Road, Kunshan Economic Development Zone Jiangsu Province 215300 People’s Republic of China TEL : +86-512-57900158 FAX : +86-512-57900958		
Test Site No.	Sporton Site No.	FCC Designation No.	FCC Test Firm Registration No.
	DFS01-KS	CN1257	314309
Test Engineer	Eloise Wang		
Temperature	21 ~ 24 °C		
Relative Humidity	38 ~ 50 %		

### 1.6 Test Software

Item	Site	Manufacturer	Name	Version
1.	DFS01-KS	Sporton	DFS & Adaptivity Test Tools	1.0

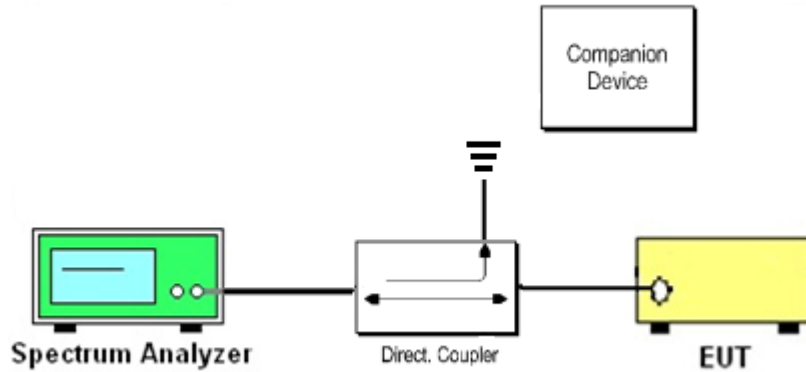
### 1.7 Applicable Standards

- ♦ FCC Part 96.47
- ♦ FCC KDB 940660 D01 Part 96 CBRS Eqpt v03
- ♦ WINNF-TS-0122-V1.0.1 CBRS CBSD Test Specification

**Remark:** All test items were verified and recorded according to the standards and without any deviation during the test.

## 2 Test Configuration of Equipment Under Test

### 2.1 Connection Diagram of Test System



The companion device is certified CBRS (FCC ID: S9GQ710US02)



### 3 End User Device additional requirement

#### 3.1 Test Requirement

FCC Part 96.47

(a) End User Devices may operate only if they can positively receive and decode an authorization signal transmitted by a CBSD, including the frequencies and power limits for their operation.

(1) An End User Device must discontinue operations, change frequencies, or change its operational power level within 10 seconds of receiving instructions from its associated CBSD.

#### 3.2 Test Procedure

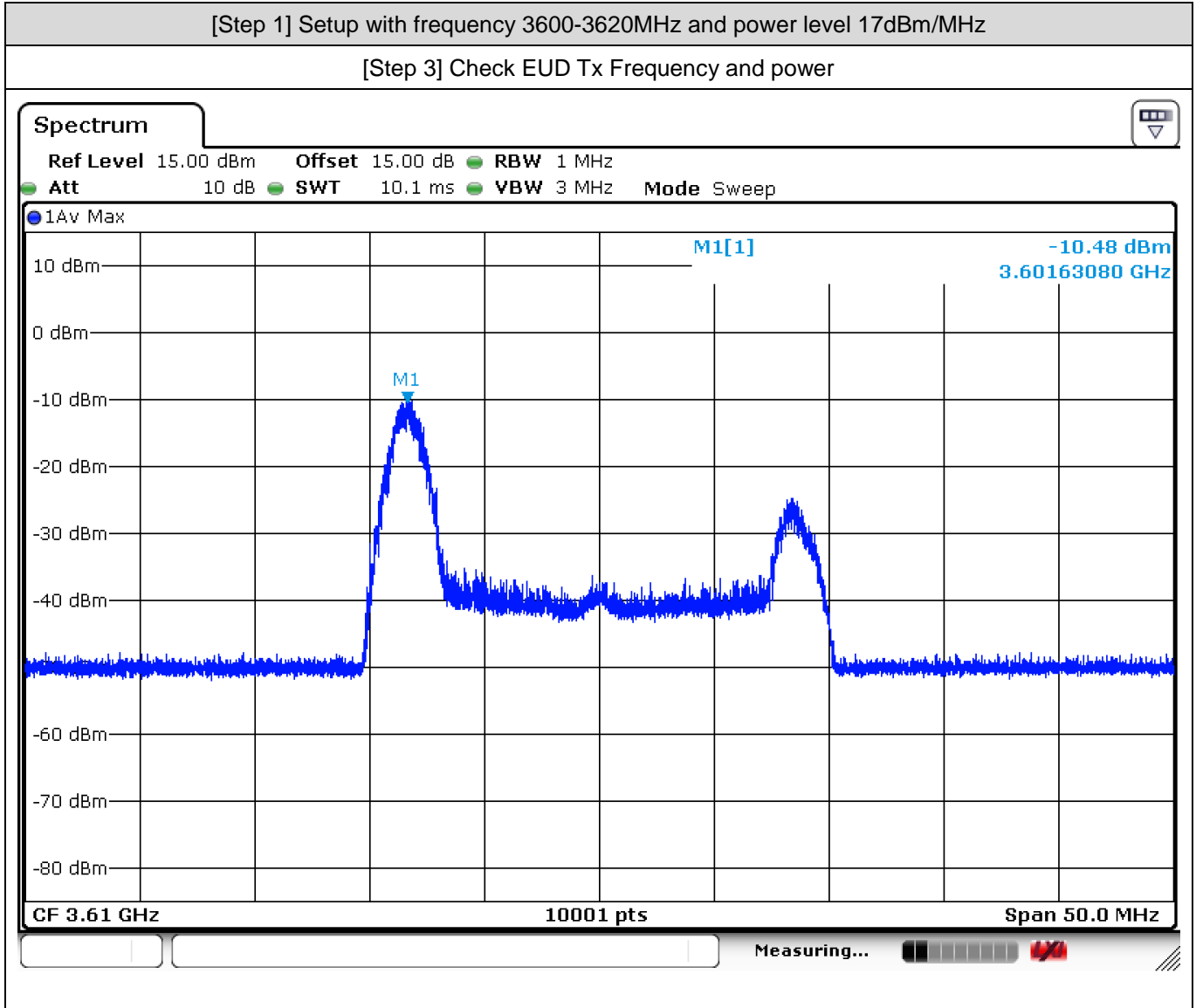
Following procedure can be done by applying WINNF-TS-0122-V1.0.1 CBRS CBSD Test Specification, use the certified Ruckus CBSD (FCC ID: S9GQ710US02) as companion device to show compliance with Part 96.47 requirement for End User Device (EUD):

1. Setup with frequency 3600-3620MHz and power level 17dBm/MHz
2. Enable AP service from Ruckus Cloud management
3. Check EUD Tx Frequency and power
4. Disable AP service from Ruckus Cloud management
  - a. Check EUD stops transmission within 10seconds.
  
5. Setup with 3670-3690MHz & power level 7dBm/MHz
6. Enable AP service from Ruckus Cloud management
7. Check EUD Tx Frequency and power
8. Disable AP service from Ruckus Cloud management
  - a. Check EUD stops transmission within 10seconds.





### 3.3 Test Result

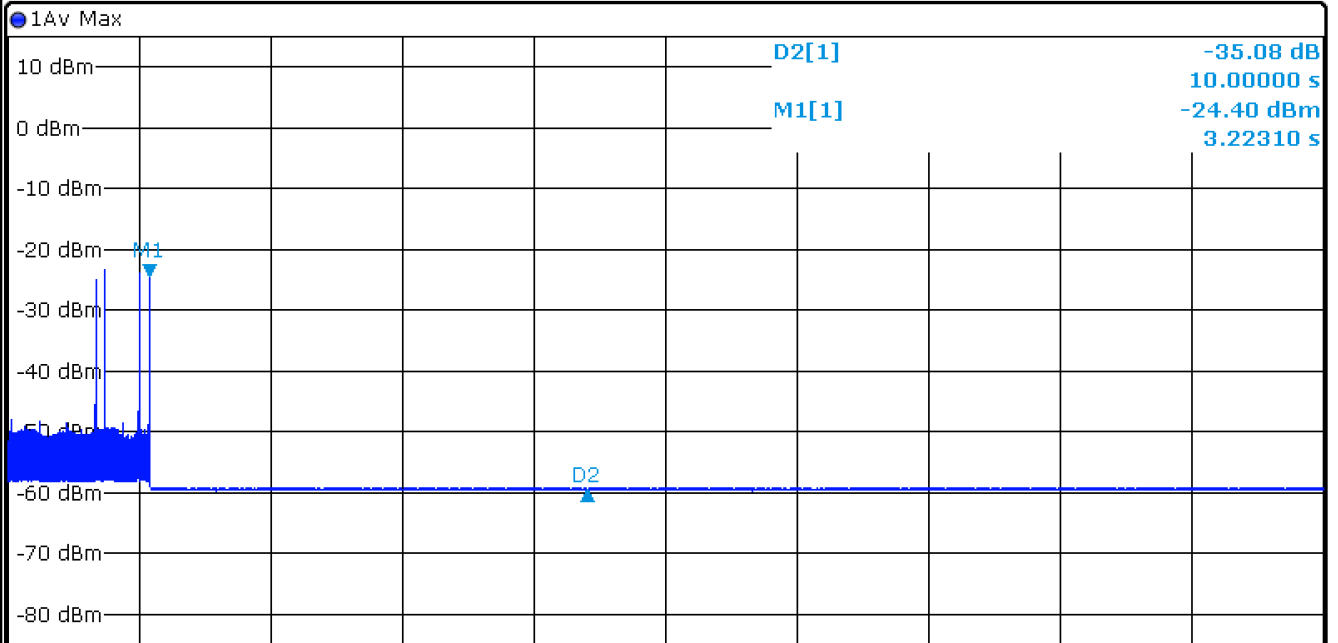




[Step 4.a.] EUD stops transmission within 10 seconds of receiving instructions from its associated CBSD.

Spectrum

Ref Level 15.00 dBm Offset 15.00 dB RBW 1 MHz
Att 10 dB SWT 30 s VBW 3 MHz
SGL



CF 3.6016308 GHz 10001 pts 3.0 s/

Marker

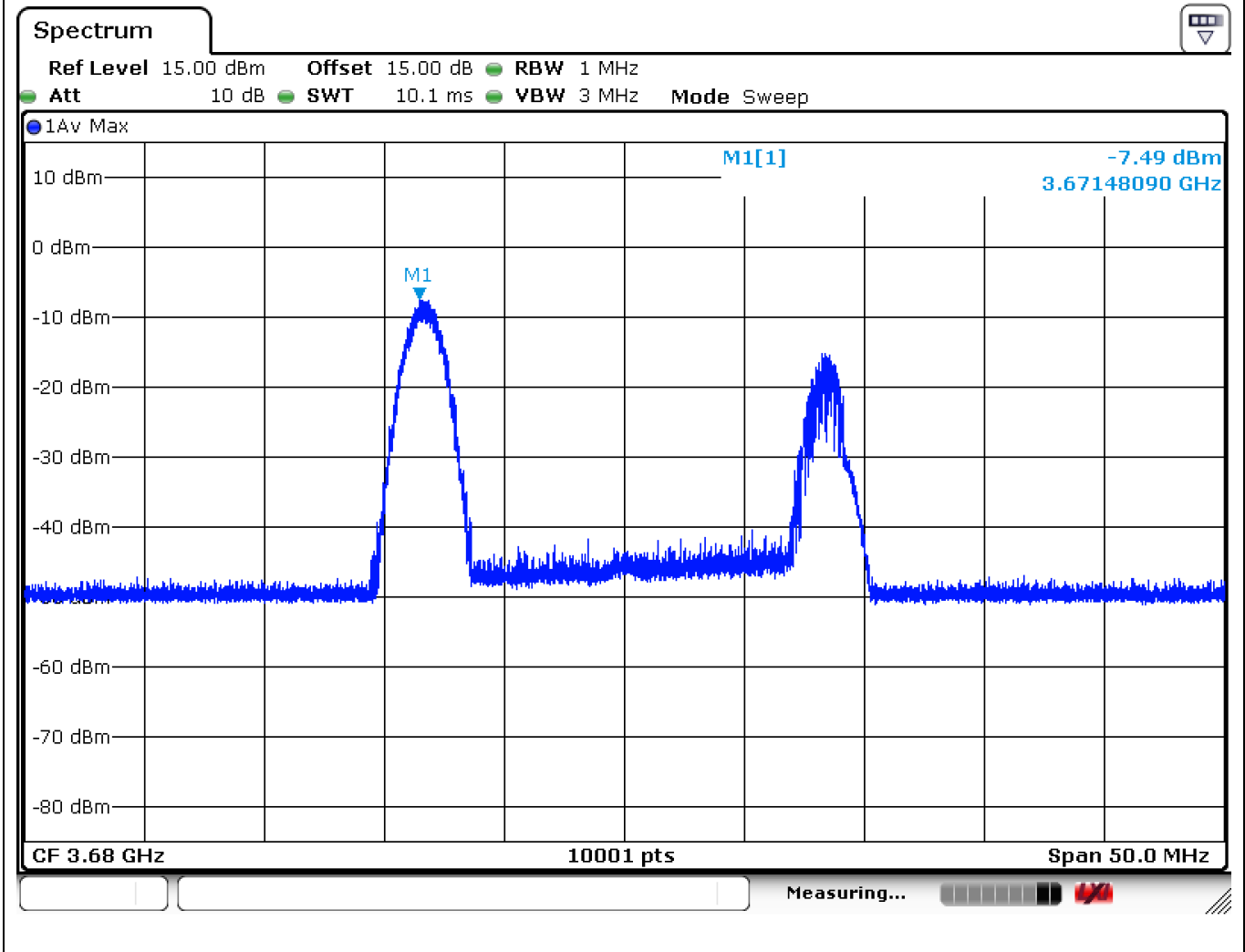
Table with 6 columns: Type, Ref, Trc, X-value, Y-value, Function, Function Result. Contains rows for M1 and D2 markers.

Ready [Battery icon] [Signal icon]



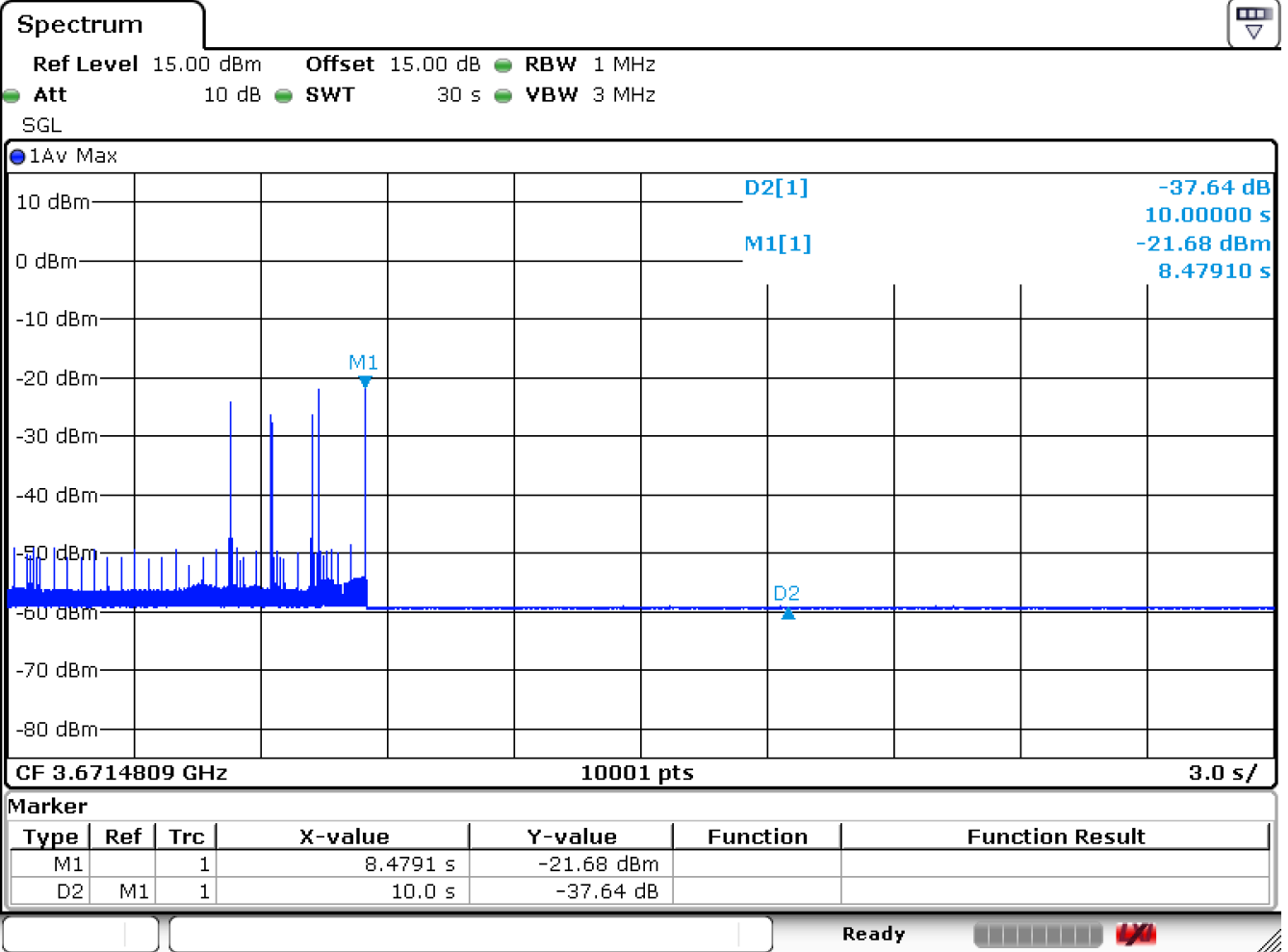
[Step 5] Setup with 3670-3690MHz & power level 7dBm/MHz

[Step 7] Check EUD Tx Frequency and power





[Step 8.a.] After changing the frequency and power level, The module (EUT) discontinues operations, change frequencies, or change its operational power level within 10 seconds of receiving instructions from its associated CBSD. Test result is PASS.





## 4 List of Measuring Equipment

Instrument	Manufacturer	Model No.	Serial No.	Characteristics	Calibration Date	Test Date	Due Date	Remark
Spectrum Analyzer	R&S	FSV7	101472	10Hz~7GHz	Jan. 08, 2020	Nov. 06, 2020	Jan. 07, 2021	DFS01-KS