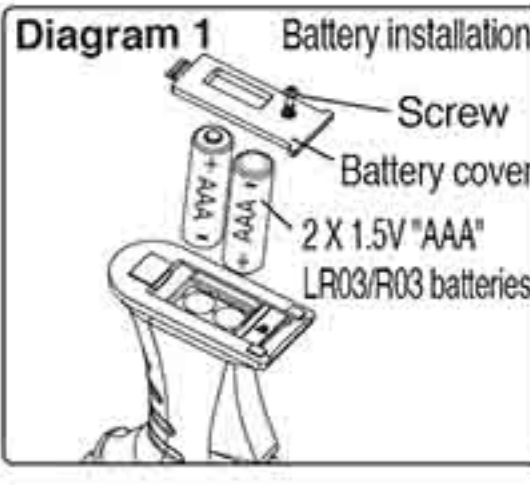


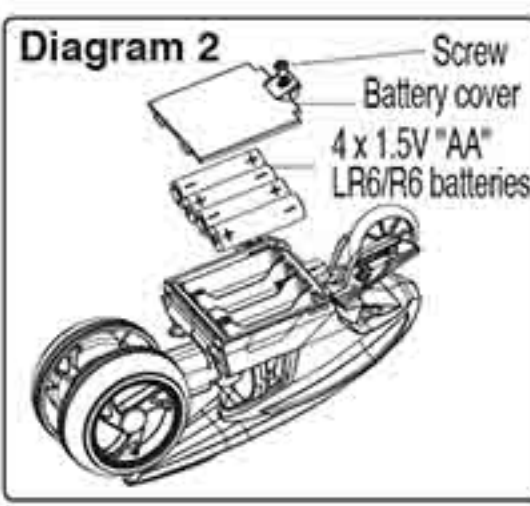
Age 5+ Contents: RC Vehicle x 1, Transmitter x 1, Owner's Instruction Manual x 1

Battery Requirement:
Vehicle: 4 x 1.5V "AA" LR6/R6 Batteries.
Transmitter: 2 x 1.5V "AAA" LR03/R03 Batteries.

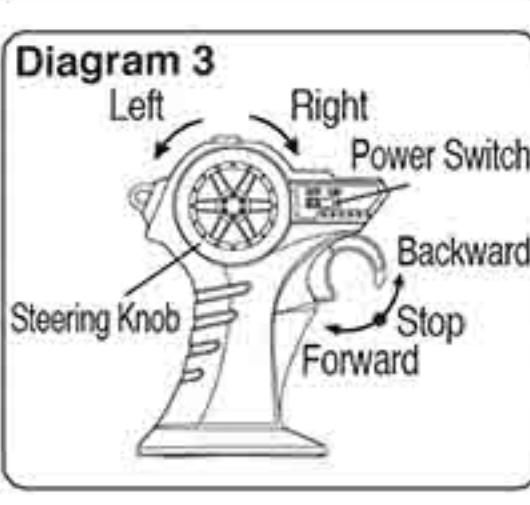
Battery installation for the Transmitter: (Refer to Diagram 1)
1. Use screwdriver to loosen the screw on the battery cover and to open the battery cover. (Screwdriver is not included).
2. Install 2 new 1.5V "AAA" LR03/R03 batteries with correct polarity (+/-) as shown inside the battery compartment.
3. Install the battery cover and then tighten the screw on the battery cover.



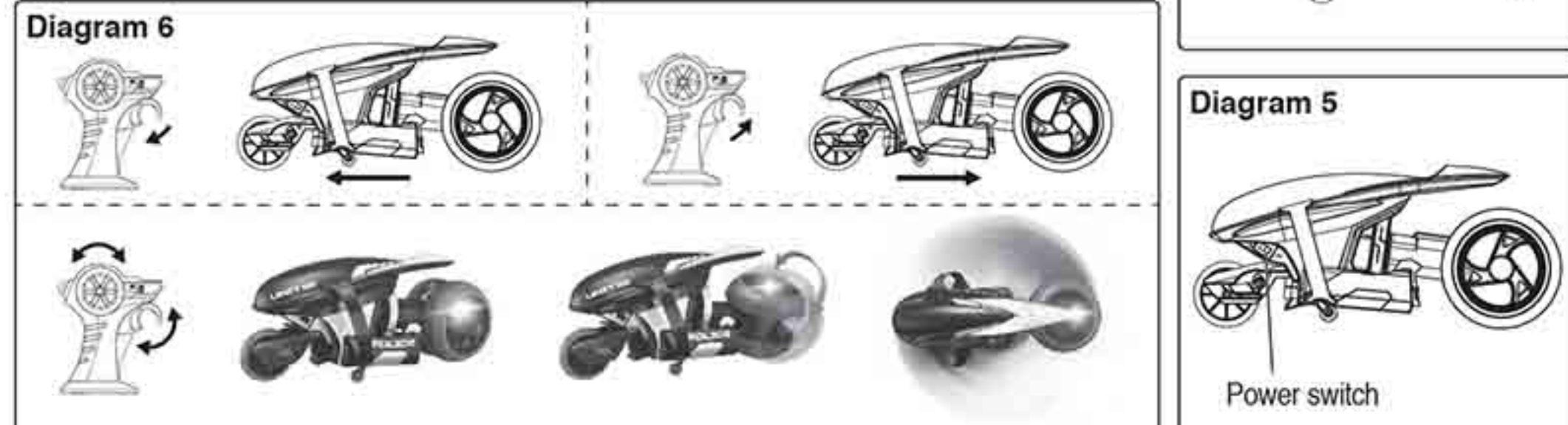
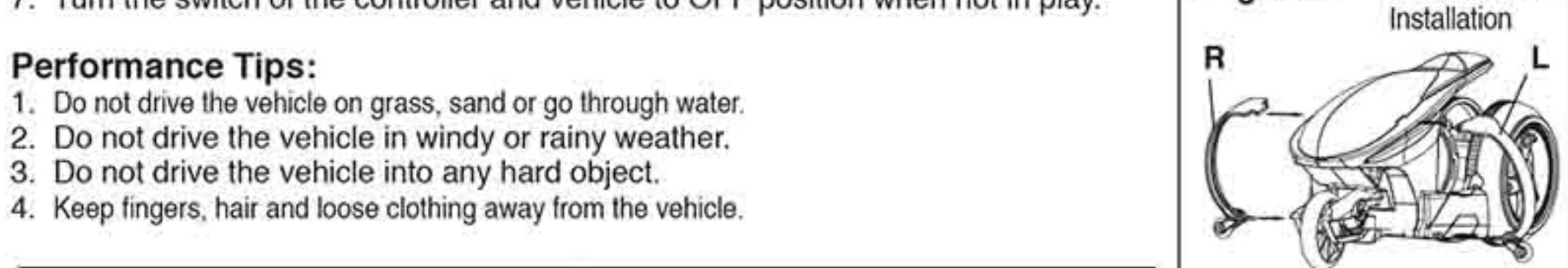
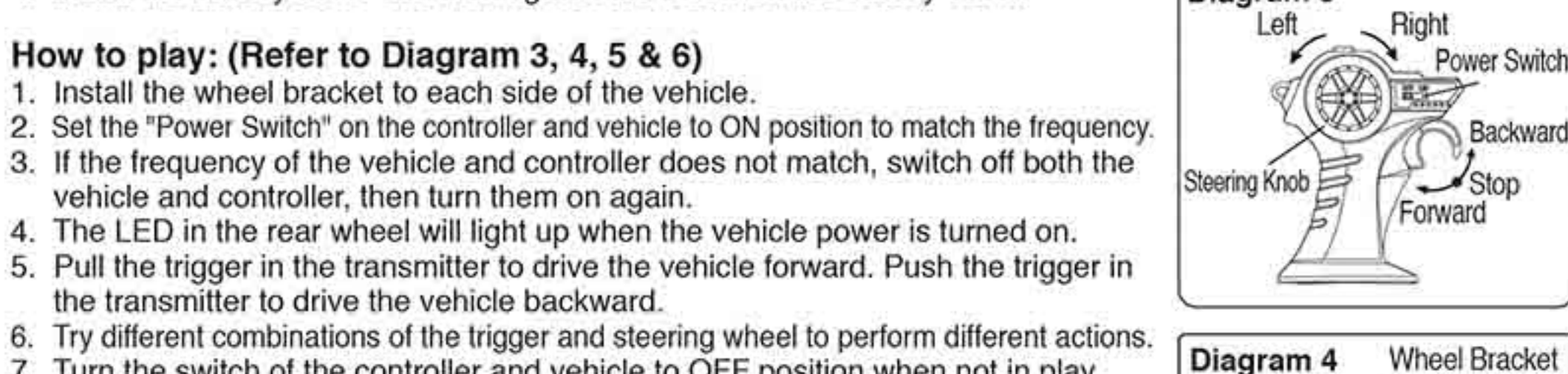
Battery installation for the Vehicle: (Refer to Diagram 2)
1. Set the "power switch" on the vehicle to OFF position.
2. Use screwdriver to loosen the screw on the battery cover and to open the battery cover. (Screwdriver is not included).
3. Install 4 new 1.5V "AA" LR6/R6 batteries with correct polarity (+/-) as shown inside the battery compartment.
4. Install the battery cover and then tighten the screw on the battery cover.



How to play: (Refer to Diagram 3, 4, 5 & 6)
1. Install the wheel bracket to each side of the vehicle.
2. Set the "Power Switch" on the controller and vehicle to ON position to match the frequency.
3. If the frequency of the vehicle and controller does not match, switch off both the vehicle and controller, then turn them on again.
4. The LED in the rear wheel will light up when the vehicle power is turned on.
5. Pull the trigger in the transmitter to drive the vehicle forward. Push the trigger in the transmitter to drive the vehicle backward.
6. Try different combinations of the trigger and steering wheel to perform different actions.
7. Turn the switch of the controller and vehicle to OFF position when not in play.



Performance Tips:
1. Do not drive the vehicle on grass, sand or go through water.
2. Do not drive the vehicle in windy or rainy weather.
3. Do not drive the vehicle into any hard object.
4. Keep fingers, hair and loose clothing away from the vehicle.



5. The operating range can be affected by a variety of factors:
a) Weak transmitter or vehicle batteries.
b) Interference from other items that emit radio frequency signals such as another R/C item on the same frequency, CB radios, cordless phones, high voltage transmitter, etc.
6. Outdoor usage is recommended in order to get optimal control range.

Battery use:
1. Alkaline batteries are recommended.
2. Only batteries of the same or equivalent type as recommended are to be used.
3. Do not mix alkaline, standard or rechargeable batteries.
4. Do not mix old and new batteries or different type of batteries.
5. Non-rechargeable batteries are not to be charged.
6. Rechargeable batteries are only to be charged under adult supervision.
7. Rechargeable batteries are to be removed from the product before they are charged.
8. Be sure to insert batteries with correct polarities and always follow the battery manufacturer's instructions.
9. Remove all batteries from the product when not in use for a long period of time.
10. Exhausted batteries are to be removed from the product.
11. The supply terminals are not to be short-circuited.
12. Dispose of batteries properly. Do not dispose of batteries in fire - it may cause them to explode or leak causing injury or damage.
13. Battery change must only be made by adult.

Cautions
1. Do not attempt to disassemble the products.
2. Do not operate the vehicle with same frequency with other players in same location. This will interfere and cause the vehicle to lose control.
3. Make sure the batteries are installed with correct polarity (+/-) as shown inside the battery compartment.
4. Remove the package, take out all accessories and assemble the product before giving it to children to play.

Disposal of batteries
Batteries should not be disposed of in the household waste. As the consumer you are legally obliged to return batteries containing harmful substances and all other used batteries. You can hand in your old batteries at public collection points in your area or wherever batteries are sold. You will find these chemical abbreviations along with a crossed-out refuse bin on batteries containing harmful substances:
Pb = Battery contains lead
Cd = Battery contains cadmium
Hg = Battery contains mercury

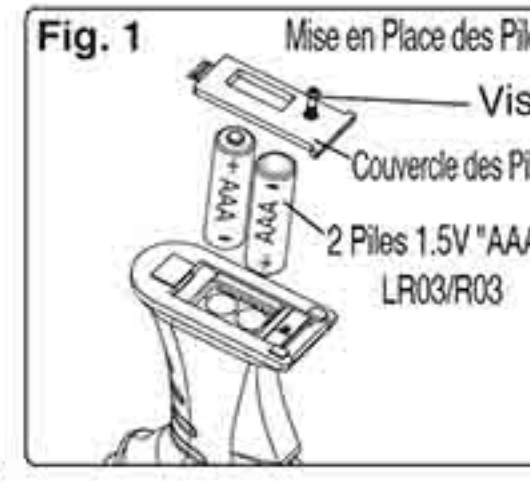
FCC Label Compliance Statement:
This device complies with part 15 of the FCC rules. Operation is subject to the following two conditions:
1. This device may not cause harmful interference, and
2. This device must accept any interference received, including interference that may cause undesired operation.
Note: This equipment has been tested and found to comply with the limits for a Class B digital device, pursuant to Part 15 of the FCC Rules. These limits are designed to provide reasonable protection against harmful interference in a residential installation. This equipment generates, uses and can radiate radio frequency energy and, if not installed and used in accordance with the instructions, may cause harmful interference to radio communications. However, there is no guarantee that interference will not occur in a particular installation. If this equipment does cause harmful interference to radio or television reception, which can be determined by turning the equipment off and on, the user is encouraged to try to correct the interference by one or more of the following measures:
- Reorient or relocate the receiving antenna.
- Increase the separation between the equipment and receiver.
- Connect the equipment into an outlet on a circuit different from that to which the receiver is connected.
- Consult the dealer or an experienced radio/TV technician for help.

Warning: Changes or modifications to this unit not expressly approved by the party responsible for compliance could void the user's authority to operate the equipment.

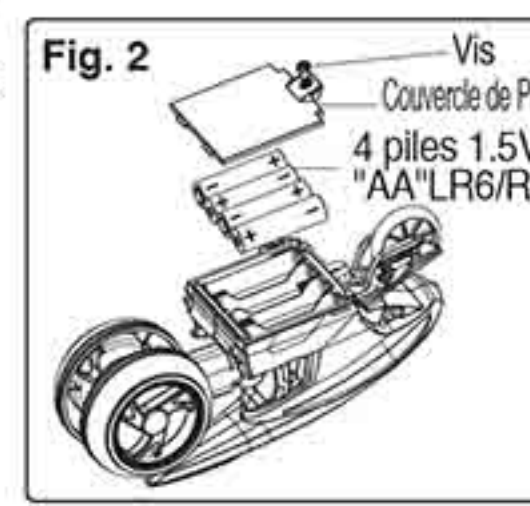
5 ans et + Contenu : Véhicule RC x 1, Émetteur x 1, Mode d'emploi x 1

Piles Utilisées:
Véhicule: 4 piles 1.5V "AA" LR6/R6.
Émetteur: 2 Piles 1.5V "AAA" LR03/R03.

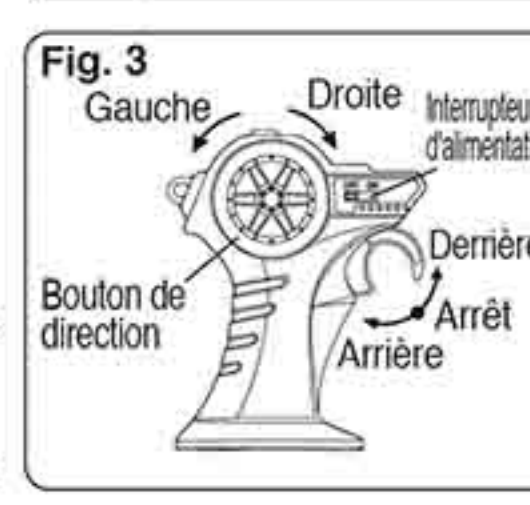
Mise en place des piles dans l'émetteur: (Voir Fig. 1)
1. Desserrez le vis du couvercle des piles à l'aide d'un tournevis et ouvrez le couvercle. (Tournevis non fourni)
2. Mettez en place 2 piles alcalines 1.5V "AAA" LR03/R03 neuves en respectant les polarités (+/-) indiquées dans le compartiment des piles.
3. Refermez le couvercle en place et serrez le vis.



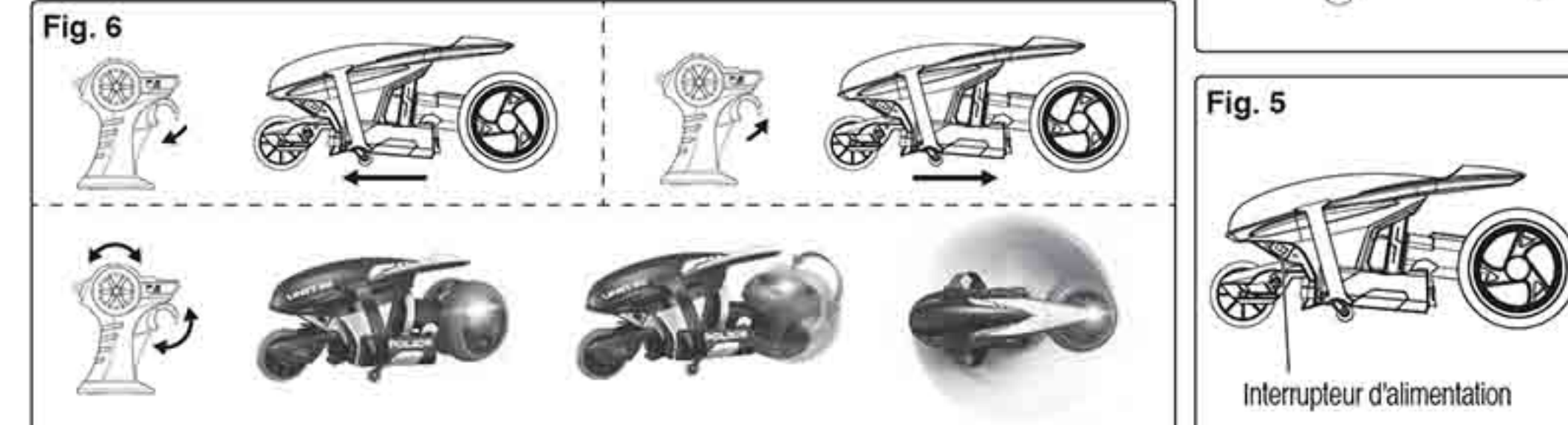
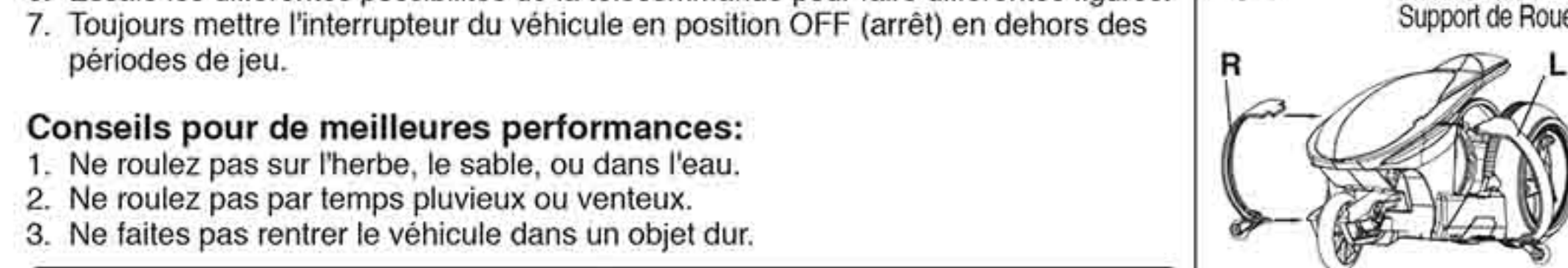
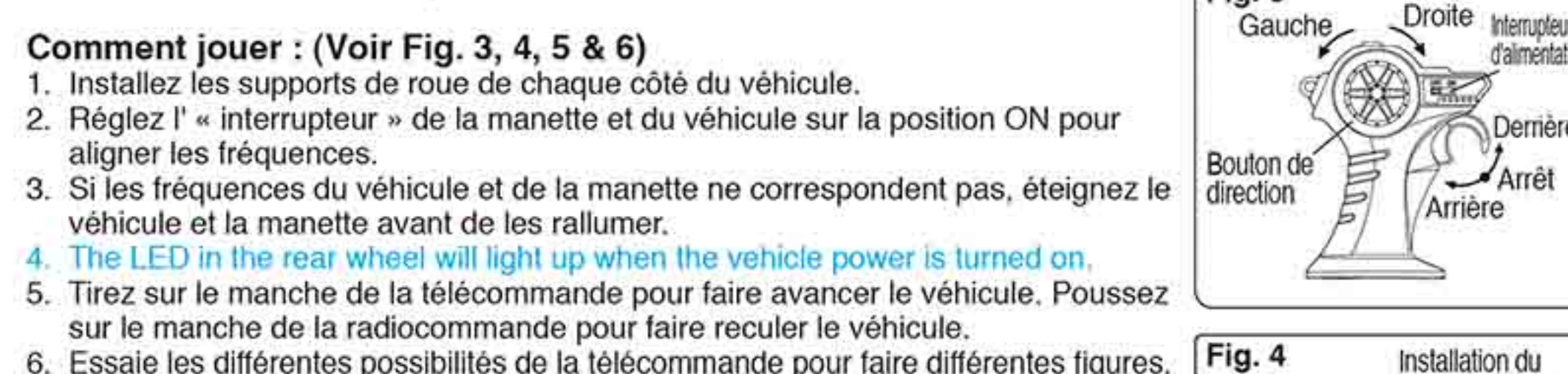
Mise en place des piles dans le véhicule: (Voir Fig. 2)
1. Mettez l'interrupteur d'alimentation de l'émetteur sur OFF (arrêt).
2. Desserrez le vis du couvercle des piles à l'aide d'un tournevis et ouvrez le couvercle. (Tournevis non fourni)
3. Mettez en place 4 piles alcalines 1.5V "AA" LR6/R6 neuves en respectant les polarités (+/-) indiquées dans le compartiment des piles.
4. Refermez le couvercle en place et serrez le vis.



Comment jouer: (Voir Fig. 3, 4, 5 & 6)
1. Installez les supports de roue de chaque côté du véhicule.
2. Réglez l' "interrupteur" de la manette et du véhicule sur la position ON pour aligner les fréquences.
3. Si les fréquences du véhicule et de la manette ne correspondent pas, éteignez le véhicule et la manette avant de les rallumer.
4. The LED in the rear wheel will light up when the vehicle power is turned on.
5. Tirez sur le manche de la télécommande pour faire avancer le véhicule. Poussez sur le manche de la télécommande pour faire reculer le véhicule.
6. Essayez les différentes possibilités de la télécommande pour faire différentes figures.
7. Toujours mettre l'interrupteur du véhicule en position OFF (arrêt) en dehors des périodes de jeu.



Conseils pour de meilleures performances:
1. Ne roulez pas sur l'herbe, le sable, ou dans l'eau.
2. Ne roulez pas par temps pluvieux ou venteux.
3. Ne faites pas rentrer le véhicule dans un objet dur.



RSS-210 Compliance Statement:
This device contains licence-exempt transmitter(s)/receiver(s) that comply with Innovation, Science and Economic Development Canada's licence-exempt RSS(s). Operation is subject to the following two conditions:
1. This device may not cause interference;
2. This device must accept any interference, including interference that may cause undesired operation of the device.

Troubleshooting:

Problem	Cause	Correction
No Function	Low battery level Battery polarities are reversed The wheels are obstructed by foreign objects	Replace with new batteries Insert the batteries with correct polarities as shown on the battery compartment Remove foreign objects on the vehicle / wheels
Drive Slow / Poor Turning Signal	Low battery level The wheels are obstructed by foreign objects	Replace with new batteries Remove foreign objects on the vehicle / wheels
Poor distance control	Low battery level Strong interference of surroundings	Replace with new batteries Move to a better location for playing

MaiSto International, Inc., Fontana, CA 92336, U.S.A.



www.maisto.com



RSS-210 Compliance Statement:
Attention: Les changements ou modifications subies par ce produit qui n'auraient pas été expressément approuvés par l'organisme responsable de sa conformité sont susceptibles d'annuler le droit de l'utilisateur à utiliser le produit.

Déclaration de conformité CNR-210:
L'émetteur/récepteur exempt de licence contenu dans le présent appareil est conforme aux CNR d'Innovation, Sciences et Développement économique Canada applicables aux appareils radio exempts de licence. L'exploitation est autorisée aux deux conditions suivantes:
1. L'appareil ne doit pas produire de brouillage;
2. L'appareil doit accepter tout brouillage radioélectrique subi, même si le brouillage est susceptible d'en compromettre le fonctionnement.

Problèmes possibles:

Problème	Cause	Comment le résoudre
Pas de fonctionnement	Piles faibles Inversion de la polarité des piles Les roues sont bloquées par des objets	Remplacer par des piles neuves Insérer les piles comme indiqué dans le compartiment à piles Enlever les objets des roues du véhicules
Route lentement Tourne mal	Piles faibles Les roues sont bloquées par des objets	Remplacer par des piles neuves Enlever les objets des roues du véhicules
Faible distance de contrôle	Piles faibles Interférences avec autres fréquences	Remplacer par des piles neuves Changer d'aire de jeu

MaiSto International, Inc., Fontana, CA 92336, U.S.A.



www.maisto.com

Bil

Size: A3_297mm(W) x 420mm(H)(双面)
材质: 书纸
Color: 1C (Black)

MAY CHEONG TOY PRODUCTS FTY. LTD.			DIECUT	
Job Item: Q0353_21 ins Bil	Finished by: laoyili	Date: 30-07-2021	Test No.:	
Item No.: #82709211/Maisto US-EL-Standard R/C (Cyklone 360)	Check by:	DWN Name: zhaowangpeng	Material:	