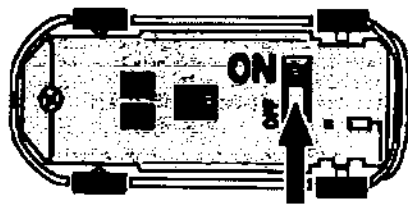
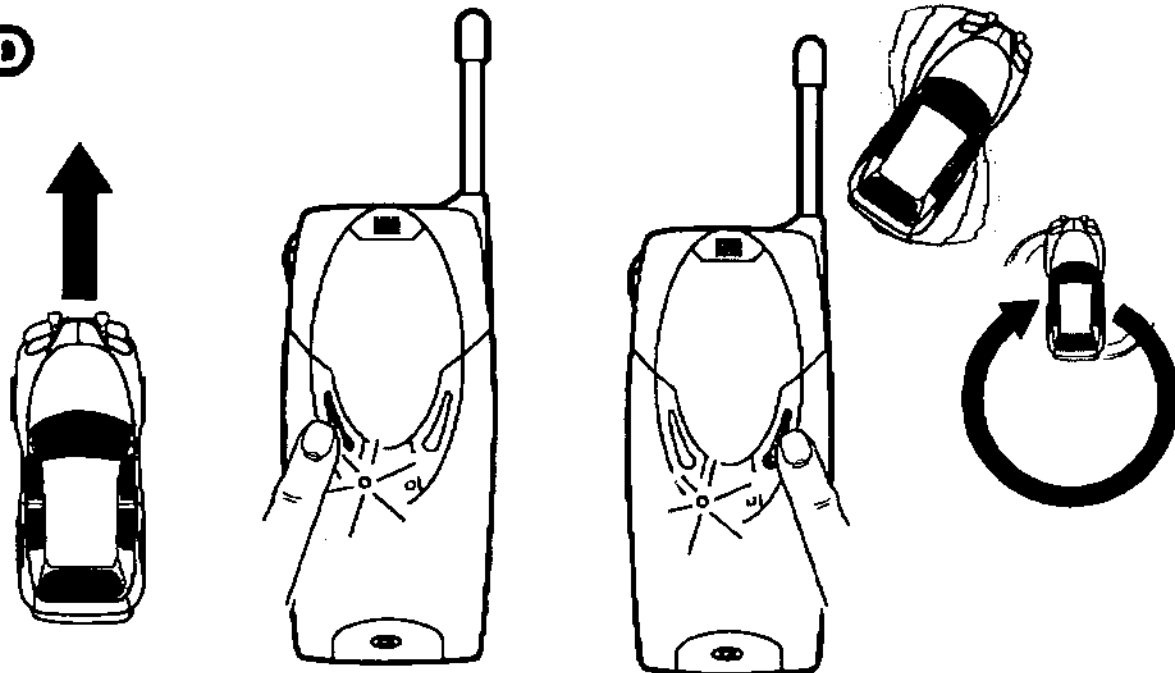


C



Turn the power of car "ON" before playing.

D



FORWARD

SPIN-TURN

The car goes forward and spin-turns when pushing the FORWARD and SPIN-TURN buttons respectively. The green indicator lights up when pushing these buttons, and automatically turns off in idle.

Turn the car power 'OFF' when it is not in use.

Hints for running the car with the best performance:

- 1) It is recommended to drive the car on the smooth and rigid surface (e.g. wax floor).
- 2) Normally, the radio control range covers 12 ft. radial distance. This range will appear farther when you put the phone controller up or, when you play it on open environment.
- 3) In the car racing, the players must use both their phone controllers and vehicles with different operating radio frequencies (e.g. 27MHz or 49MHz).
- 4) It is recommended to replace the Alkaline cells, when the car appears jerky after power charging.

WARNING: Changes or modifications to this unit not expressly approved by the party responsible for compliance could void the user's authority to operate the equipment.

NOTE:

DO NOT disassemble the car or phone controller. There are **NO** serviceable parts inside the car or phone controller.

This device has been tested and found to comply with the limits for a Class B digital device, pursuant to Part 15 of the FCC Rules. These limits are designed to provide reasonable protection against harmful interference in a residential installation. This equipment generates, uses and can radiate radio frequency energy and, if not installed and used in accordance with the instructions, may cause harmful interference to radio communications.

However, there is no guarantee that interference will not occur in a particular installation. If this equipment does cause harmful interference to radio or television reception, which can be determined by turning the equipment off and on, the user is encouraged to try to correct the interference by one or more of the following measures:

- Reorient or relocate the receiving antenna.
- Increase the separation between the equipment and receiver.
- Connect the equipment into an outlet on a circuit different from that to which the receiver is needed.
- Consult the dealer or an experienced radio/TV technician for help.

Responsible Party In USA
Legal Company Name: Maisto International Inc.
Address: 7751 Cherry Avenue, Fontana, CA 92336, U.S.A

Phone: (909) 357 7888
Fax: (909) 357 2020

DIE CAST METAL RCX Racer OPERATING INSTRUCTION

Majsto

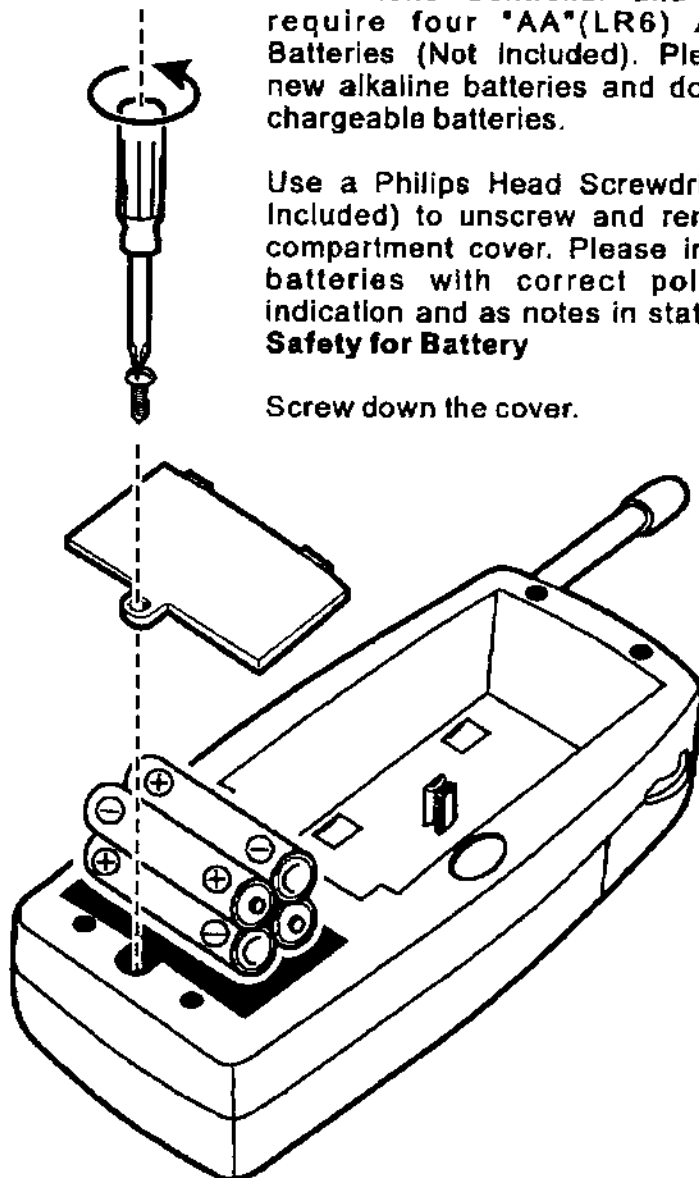
Age 7 Years & Up Retain these instructions for future reference.

A

The Phone Controller and Charger require four "AA"(LR6) Alkaline Batteries (Not Included). Please use new alkaline batteries and do not use chargeable batteries.

Use a Philips Head Screwdriver (Not Included) to unscrew and remove the compartment cover. Please install the batteries with correct polarity as indication and as notes in statement of **Safety for Battery**

Screw down the cover.



B

The car has been built in a 3.6V NI-MH chargeable power pack (non-replaceable) with charging socket at car bottom.

Safety for Battery:

Battery leakage and overcharging can damage this product. To avoid these cases:

- 1) Follow this product and dry cell manufacturer instructions to install battery.
- 2) Install dry cells with correct polarity as markings in battery compartment.
- 3) Install alkaline battery for best performance.
- 4) Do not mix old and new batteries. Do not mix standard (carbon-zinc), alkaline, or rechargeable (nickel-cadmium) batteries. Do not mix different brands of batteries.
- 5) Do not attempt to recharge non-chargeable batteries.
- 6) Remove dead or exhausted dry cells from product.
- 7) Do not try to replace the built-in chargeable power pack inside the car.
- 8) Charging of chargeable batteries inside the car should be done under adult supervision.
- 9) Do not overcharge the chargeable power pack inside car for more than 2 minutes before playing.
- 10) Phone power charger terminals and car bottom charging sockets must not be short-circuited.
- 11) Do not charge the car with charger other than that controller provided.

1 Make sure of the car power switch at car bottom to set "OFF" before power charging.

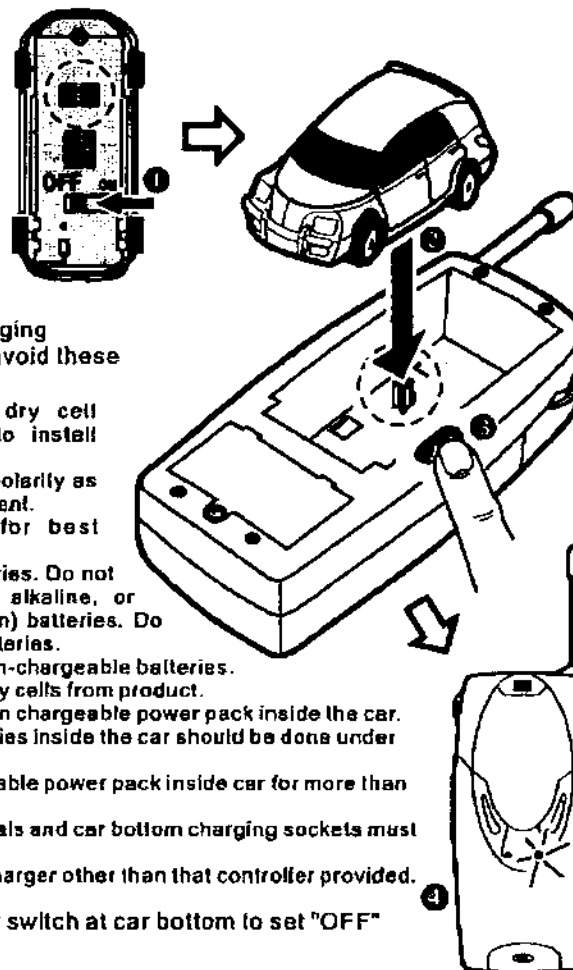
2 Park and plug the car into the power charger terminal inside compartment. Make sure charging socket of the car and charger terminal are tightly mated.

Warning!

Do not charge the car over once (2 minutes) and do not recharge it unless the car power is completely exhausted. Overcharging will cause the built-in chargeable power pack inside vehicle to deteriorate and damage.

3 Push the charging button next to compartment to start the power charging cycle. It takes approximately 2 minutes to finish the charging process.

4 The red indicator on the phone panel lights up during charging. The charging cycle completes when the indicator turns off. The car power is now ready for running.



15-JUN-2001 12:17 FROM
102 SILVER HWY

TD 27429149

P.01