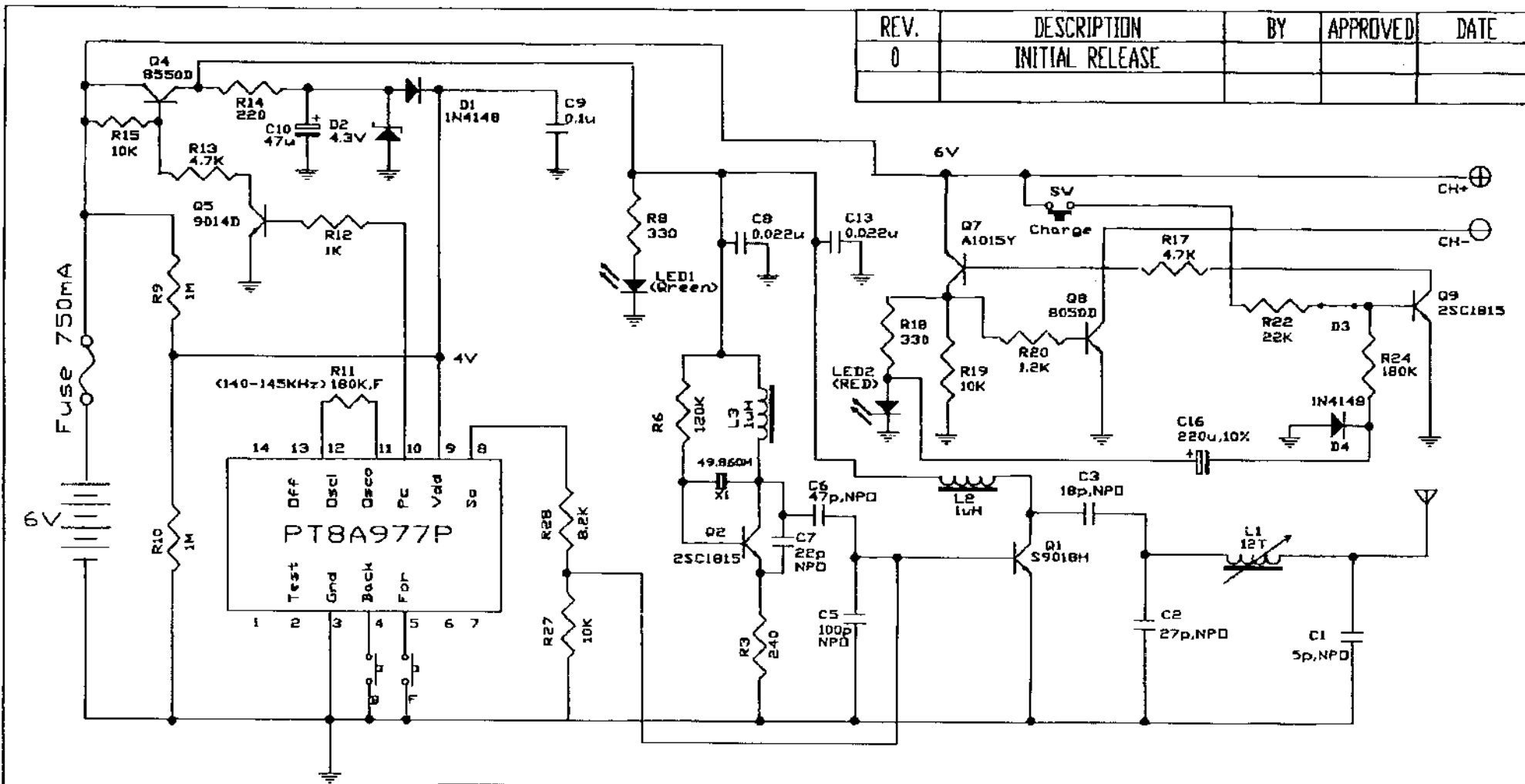


16-JUN-2001 09:31

+852 2341 5083

99%

P.03



REV.	DESCRIPTION	BY	APPROVED	DATE
0	INITIAL RELEASE			

TOLERANCE UNLESS OTHERWISE SPECIFIED	
X.X = ± /	ANGLE = ± / °
X.XX = ± /	X/X = ± /
X.XXX = ± /	

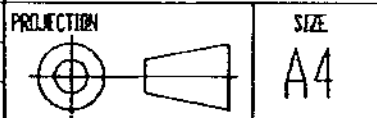
MATERIAL :	/
FINISH :	/

MaiSto MAISTO INTERNATIONAL LIMITED
 TITLE : MAIN PCB (USA)

DIMENSIONS :	/
SCALE :	/

APPROVAL	DATE
DWN :	7 JUNE 2001

PROJ. NAME : 0049(49MHZ)
 PART NO. : /



CHK. :	
APP. :	

DRG. NAME :	1C004901	ACAD	REV.
DRG. TYPE :	CIRCUIT DIAGRAM		0



DO NOT SCALE DRAWING

SHEET : 1 OF 1
 FILE NAME : 0049SCH.DWG

16-JUN-2001 09:52 FROM

TO 27429149

P.03