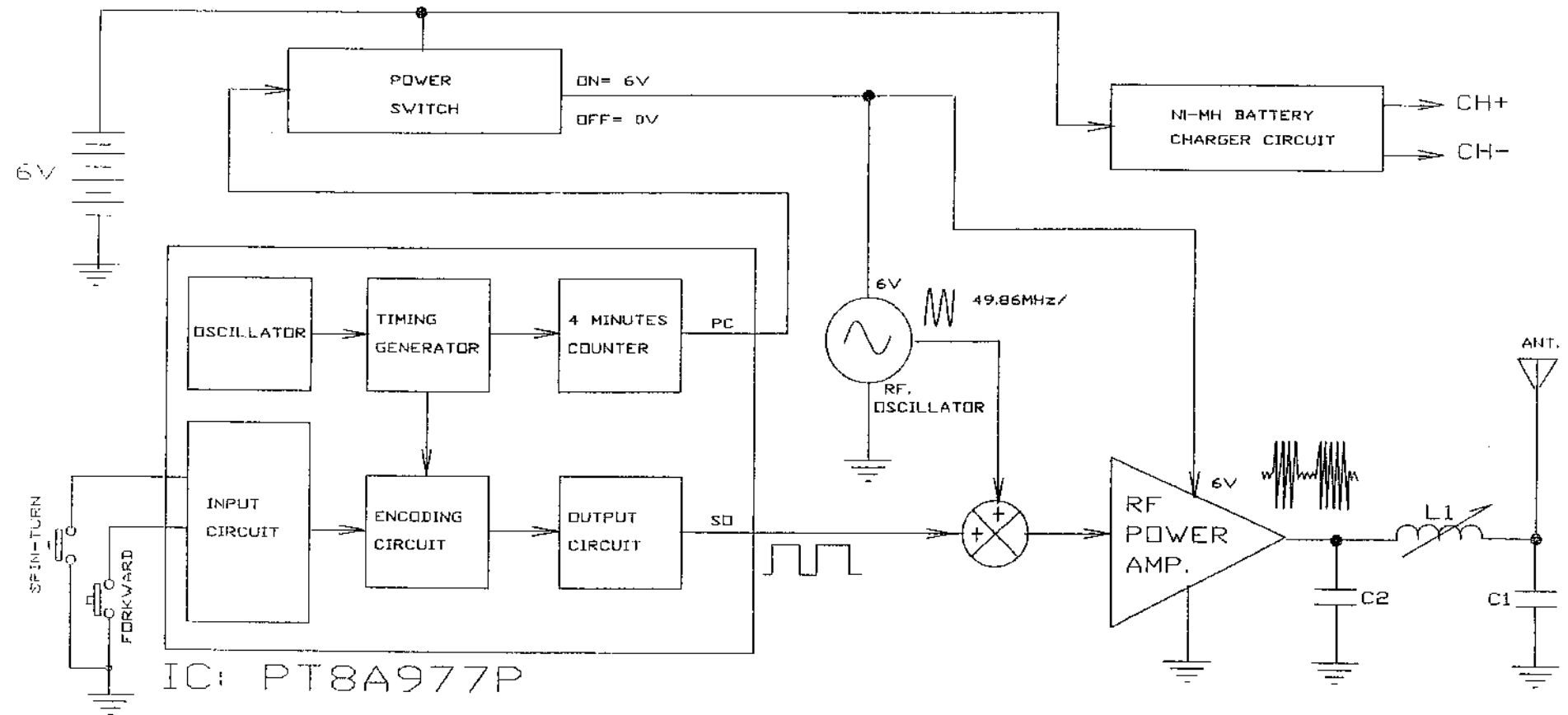


REV.	DESCRIPTION	BY	APPROVED	DATE
0	INITIAL RELEASE			



IC: PT8A977P

MATERIAL :	/	MaiSto MAISTO INTERNATIONAL LIMITED	
FINISH :	/	TITLE : TELE-CAR TX FUNCTIONAL BLOCK DIAGRAM	
APPROVAL	DATE	PROJ. NAME :	0048 (81010A/B)
DWN. : KELVIN	2 APRIL, 2001	PART NO. :	/
CHK. :		DRG. NAME :	ACAD
APP. :		DRG. TYPE :	CIRCUIT_DIAGRAM
DO NOT SCALE DRAWING		SHEET :	1 OF 1
		FILE NAME :	

DIMENSIONS :	/
SCALE :	/
PROJECTION	SIZE
	A4
REV.	PART/ASSY NO. APPLICATION
DATE	

REV. 0