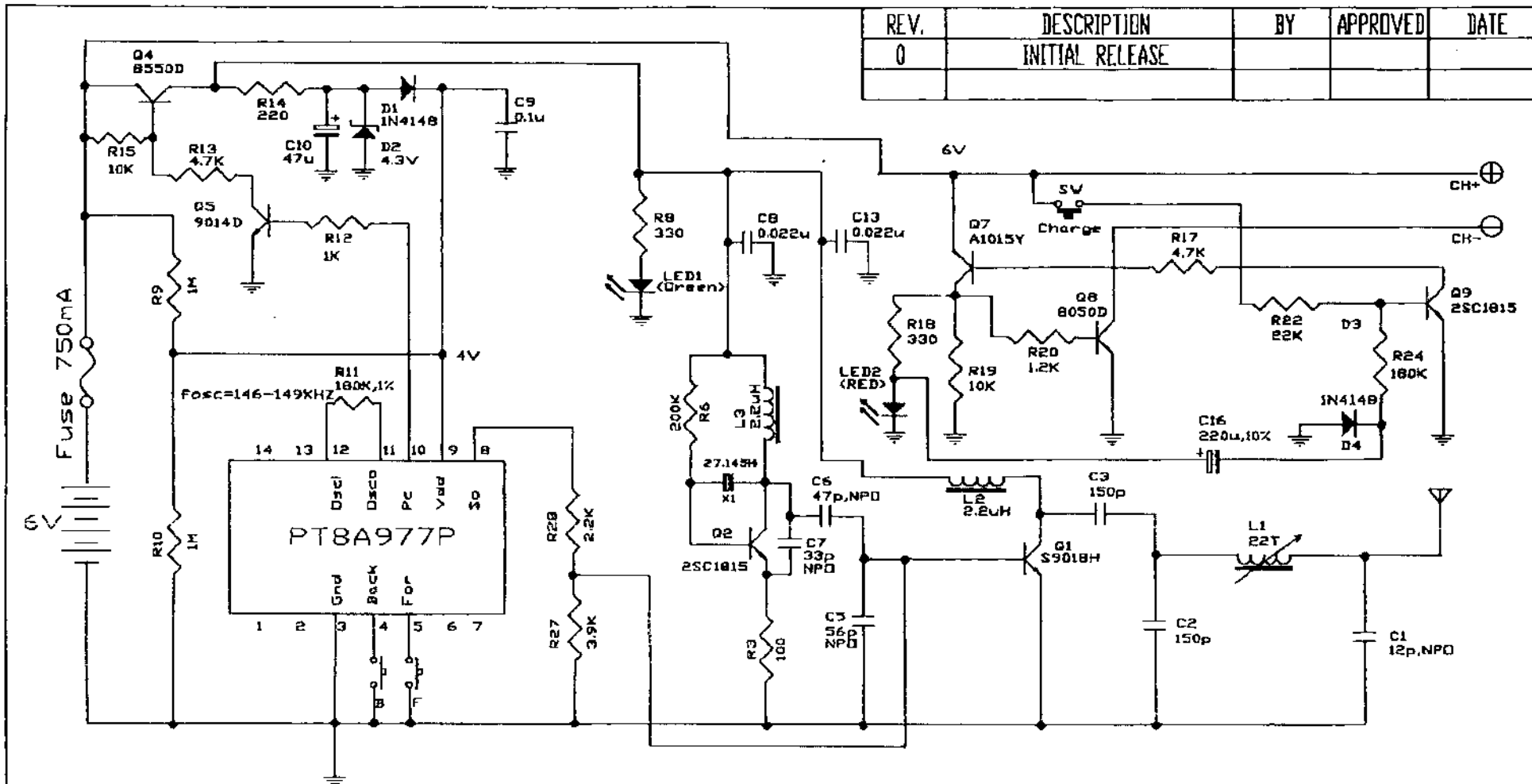


16-JUN-2001 09:31

+852 2341 5083

98x

TOTAL P.04  
P.04

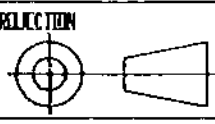


REV.	DESCRIPTION	BY	APPROVED	DATE
0	INITIAL RELEASE			

TOLERANCE UNLESS OTHERWISE SPECIFIED		MATERIAL :	
XX = ± /	ANGLE = ± / °	/	
X.XX = ± /	X/X = ± /	FINISH :	
X.XXX = ± /		/	
DIMENSIONS :		APPROVAL	DATE
SCALE :		DWN. :	7 JUNE 2001
PROJECTION		CHK. :	
SIZE A4		APP. :	
DO NOT SCALE DRAWING			

<b>MaiSto</b> MAISTO INTERNATIONAL LIMITED	
TITLE : MAIN PCB (USA)	
PROJ. NAME :	0049(27MHZ)
PART NO. :	/
DRG. NAME :	1C004902
DRG. TYPE :	CIRCUIT_DIAGRAM
SHEET :	1 OF 1
FILE NAME :	0049SCH.DWG

REV.	PART/ASSY NO.	DATE
	APPLICATION	



16-JUN-2001 09:53 FROM

TO 27429149

P.04

F4/A