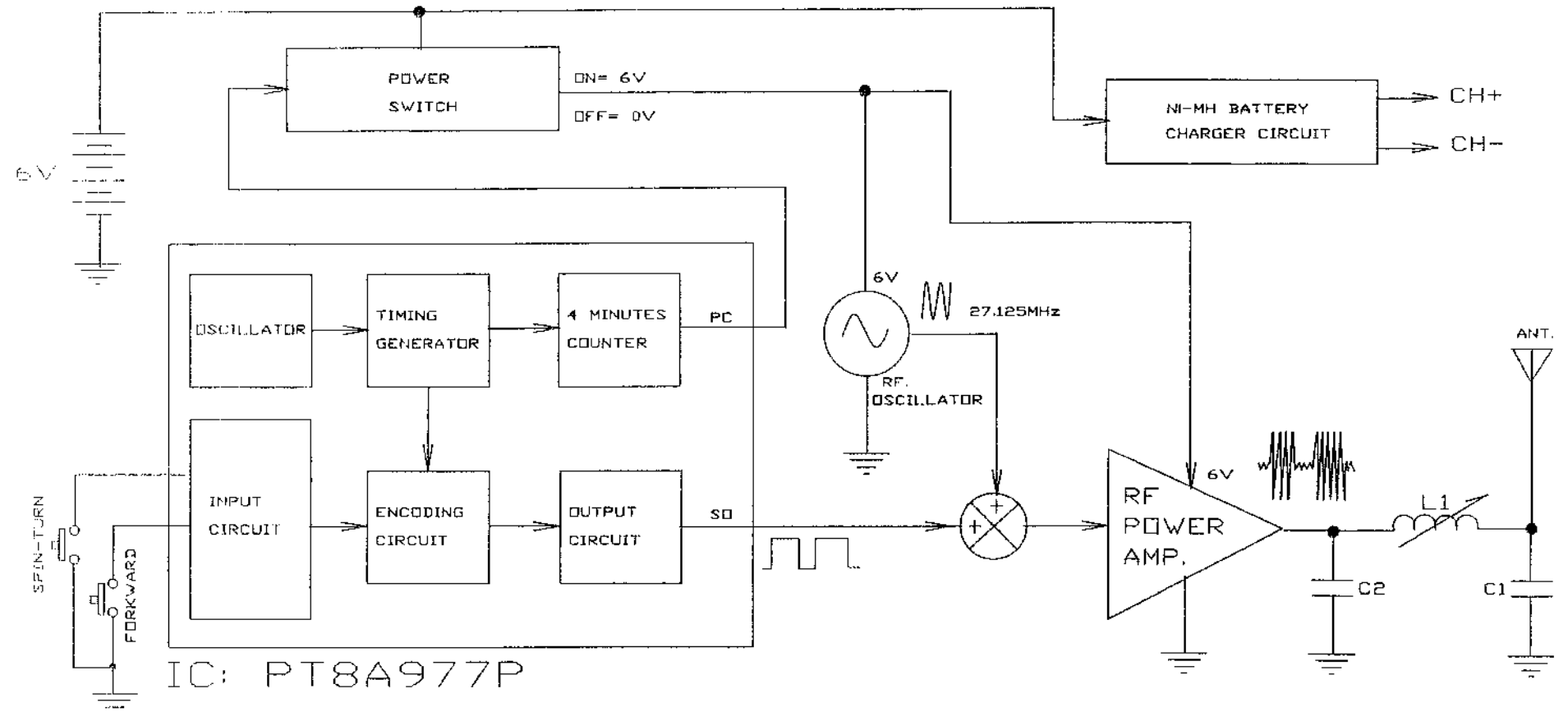


REV.	DESCRIPTION	BY	APPROVED	DATE
0	INITIAL RELEASE			



IC: PT8A977P

MATERIAL :	/	<b>MaiSto</b> MAISTO INTERNATIONAL LIMITED
FINISH :	/	
APPROVAL	DATE	PROJ. NAME : 0048 (81010A/B)
DWN. : KELVIN	2 APRIL, 2001	PART NO. : /
CHK. :		DRG. NAME : ACAD
APP. :		DRG. TYPE : CIRCUIT_DIAGRAM
DO NOT SCALE DRAWING		SHEET : 1 OF 1
		FILE NAME :

REV.	PART/ASSY NO.	DATE	DIMENSIONS :	/
	APPLICATION		SCALE	1 /
			PROJECTION	SIZE
				A4