



English

Disposal of batteries

Batteries should not be disposed of in the household waste. As the consumer you are legally obliged to return batteries containing harmful substances and all other used batteries. You can hand in your old batteries at public collection points in your area or wherever batteries are sold.



You will find these chemical abbreviations along with a crossed-out refuse bin on batteries containing harmful substances:

- Pb = Battery contains lead
- Cd = Battery contains cadmium
- Hg = Battery contains mercury

Warranty

All Maisto R/C products have a 30 days limited warranty in function and performance. You may receive a new replacement product if the defective product is returned to Maisto freight prepaid and confirmed a factory defective. Maisto's 30 days warranty is limited to factory defects in material and workmanship only. The warranty does not cover unauthorized modification, accidents, abusive use, and consequential damages per our judgment. The warranty is limited to original purchaser with dated proof of purchase only. If you have a problem with our product, e-mail or call customer service first, RA # may be issued if the problem cannot be resolved over the phone or email. Return for repair or replacement must be shipped prepaid/postage prepaid and insured, include dated proof of purchase, RA# and brief description of problem. If product is returned without a dated proof of purchase, it will be excluded from the coverage of this warranty. Allow 3 to 5 weeks for delivery of repaired or replacement per Maisto's discretion. Delivery is limited in U.S.A. or Canada only. Warranty is only valid for purchases in U.S.A and Canada only. Check the FAQ section before you return the product to Maisto.

FAQ (Frequently Asked Questions)

1) Why does my R/C Vehicle not start?

- Make sure that the car and transmitter are turned on.
- Make sure the battery pack is fully charged and the battery is full.
- Make sure the batteries are installed per polarity indicators.
- Make sure all 4 wheels are not obstructed by any foreign objects.
- Follow steps 1 and 2 in the "How to play" section to be sure that the automatic frequency matching is completed.

2) Why does my R/C Vehicle make unusual noises?

- Check to make sure the battery pack is fully charged and the battery is full.
- Check to make sure all 4 wheels are not obstructed by any foreign objects.

3) What if I'm still having a problem?

Check the FAQ and make sure all attempts have been made to make the unit work. Check your purchase receipt date and make sure it's within the 30 days warranty period at the time you intend to send it back. Contact Maisto (see below), and tell us the model that you have, the problem(s) you are having, your daytime phone number, and any other information that might be helpful for us to resolve the problem. If Maisto cannot solve your problem by mail, email or telephone, we will issue a return authorization number so you can return the unit to us for repair or replacement. No returns will be accepted without a return authorization (RA) number issued by Maisto clearly marked on the outside of the package. Pack the unit back in its original box or another box with sufficient protective material, include a copy of your dated store receipt and a description of the problem then send it freight prepaid to the address which we will provide when we issue the RA number.

4) Please refer to FAQ section on our website for more information.

Website: www.maisto.com
Email: customerservice@MayCheongGroup.com
Phone: (909) 357-7988
8:30 a.m. - 5:00 p.m. / Monday-Friday / Pacific Time

Maisto International, Inc., Fontana, CA 92336, U.S.A.



www.maisto.com
MADE IN CHINA

Eng



2.4GHz R/C

English

Age 8+

#81462

Maisto - Radio Control Vehicles

Please keep this owner's instruction manual for future reference. It contains important information.

We reserve the right to improve/revise the product specifications without notice.

Class 1 LED Product

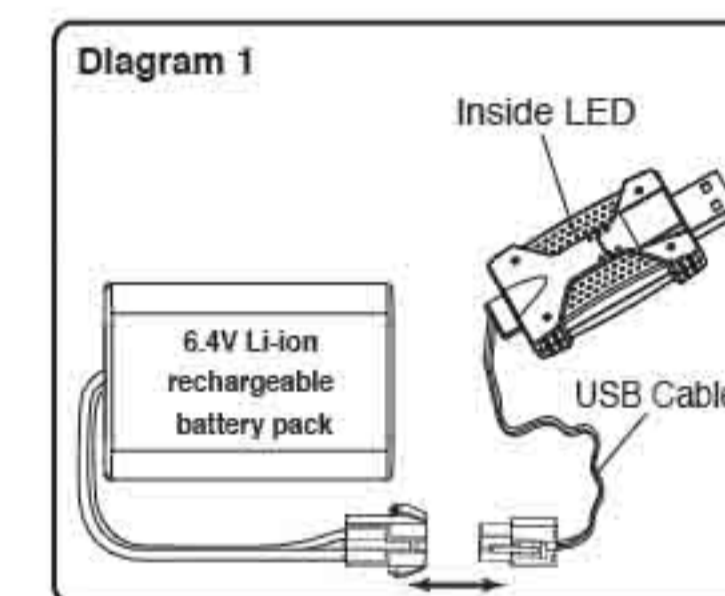
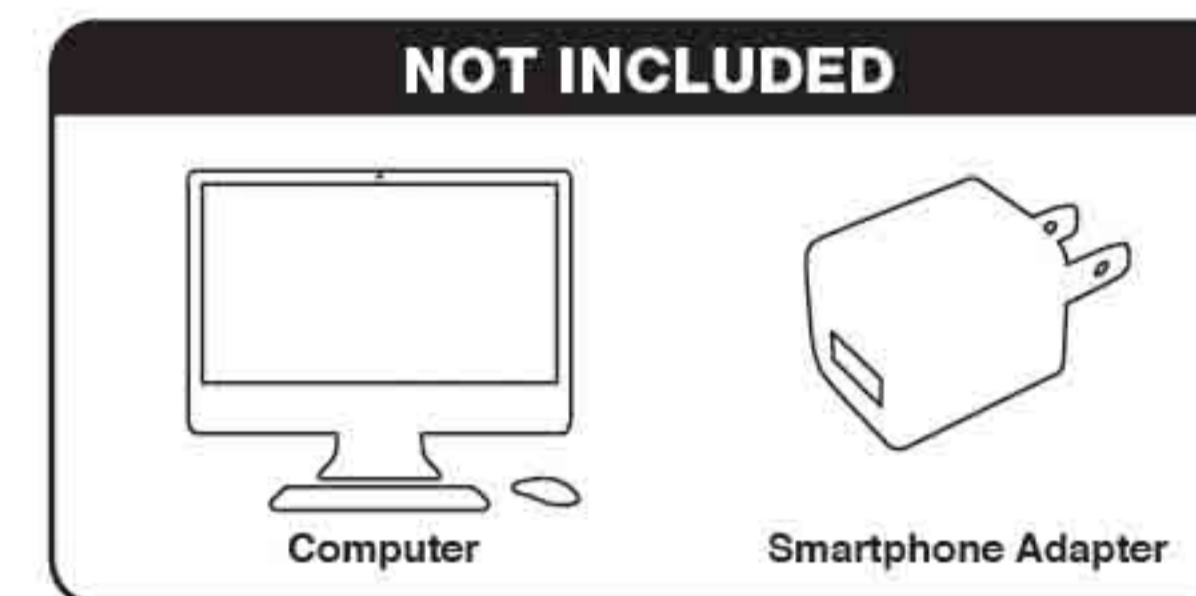
Contents:

- RC Vehicle x 1
- Controller x 1
- USB Cable x 1 (Input: DC 5V 2A Output: DC 6.4V 1A)
- 6.4V Li-ion Rechargeable Battery Pack (For Vehicle Use) x 1
- 1.5V "AA" LR6/R6 non-rechargeable Battery (For Controller Use) x 2
- Owner's Instruction Manual x 1

Charging the rechargeable battery pack for the RC vehicle: (Refer to Diagram 1)

1. Locate a USB certified port from any of the devices shows below. The LED indicator inside the USB Cable will turn green.
2. Connect the 6.4V Li-ion rechargeable battery pack and the USB Cable connectors, then the LED indicator will turn off to show it is charging.
3. Once the LED indicator turns green again, the battery is fully charged. It takes around 2.5 hours to fully charge the battery. However, even the LED does not turn green, do not charge the battery more than 3 hours.
4. When charging is completed, detach the connectors from battery pack and USB certified port.

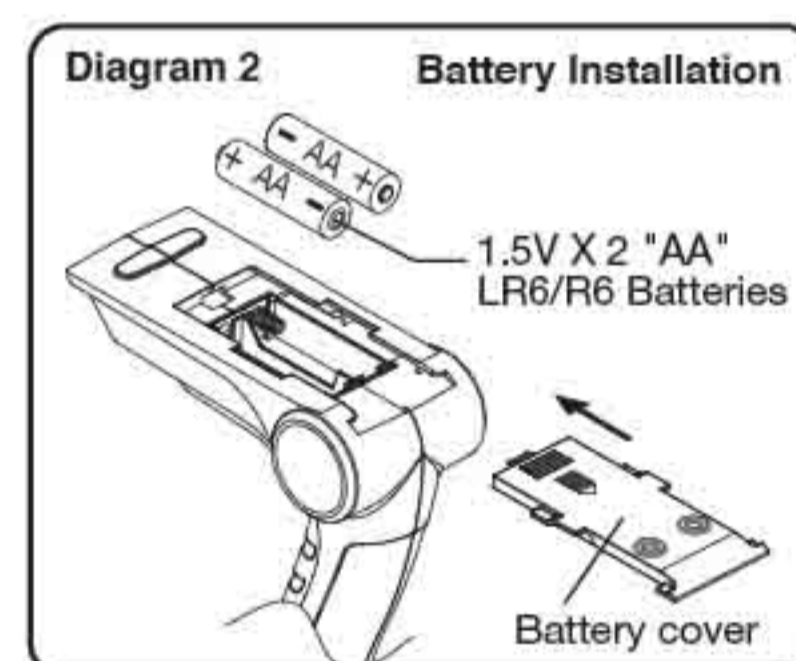
Note: If the LED twinkle slowly, then the USB Cable is not able to work properly. Try to connect the USB Cable to another USB port, if the problem persist, immediately disconnect the battery and the USB Cable and seek replacement.



English

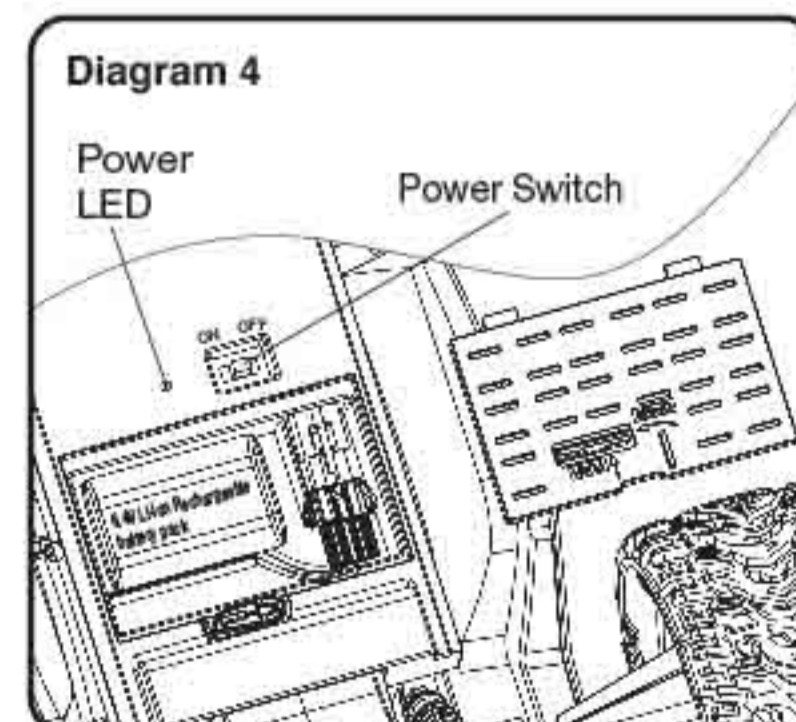
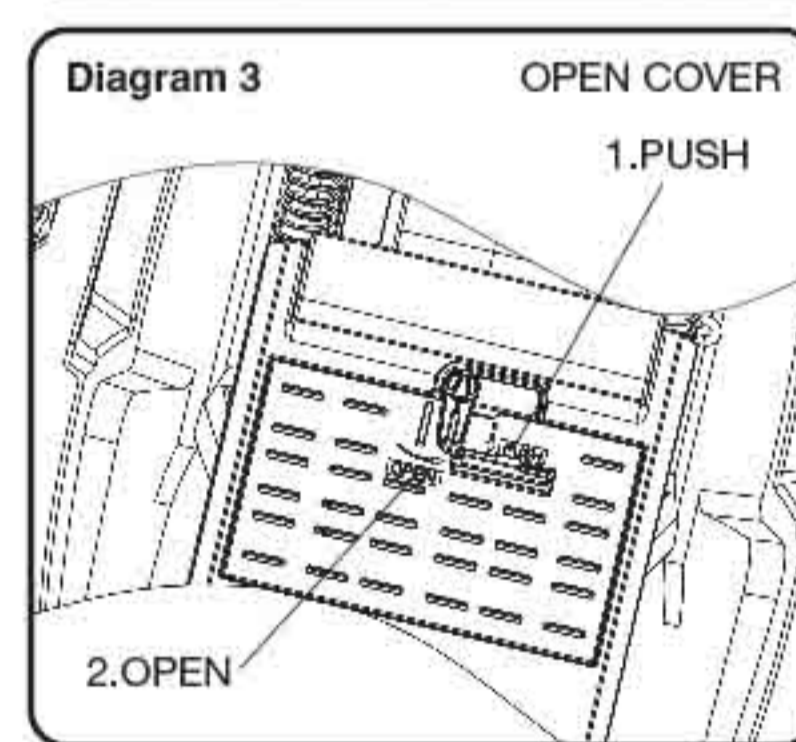
Battery installation for the controller: (Refer to Diagram 2)

1. Switch the power OFF.
2. Open the battery cover.
3. Install 2 new 1.5V "AA" LR6/R6 battery with correct polarity (+/-) as shown inside the battery compartment.
4. Install the battery cover.



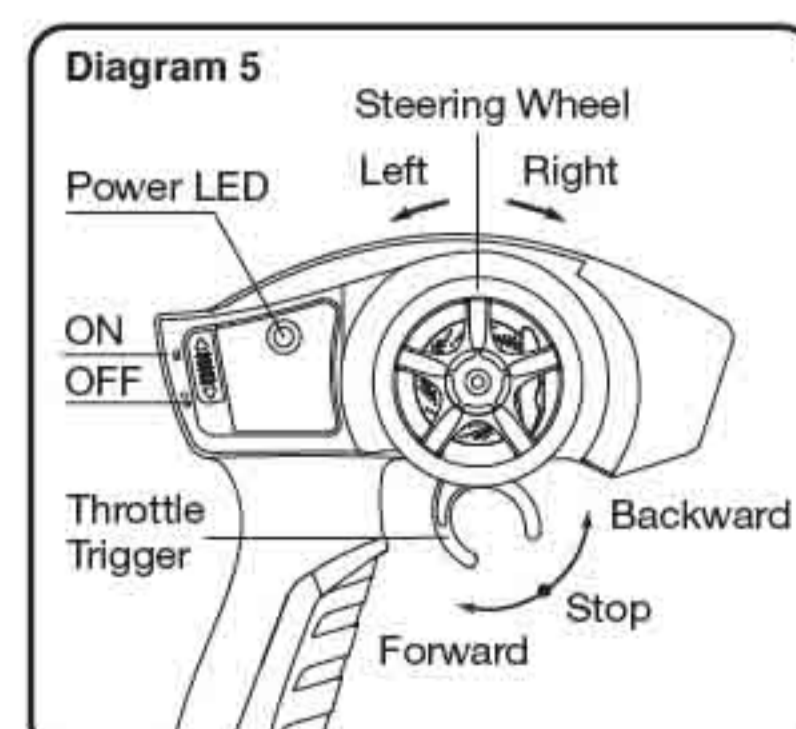
Battery installation for the vehicle: (Refer to Diagram 3 & 4)

1. Switch the power OFF.
2. Rotate the battery cover latch aside and open the battery cover.
3. Install 6.4V Li-ion rechargeable battery into the battery compartment. Connect the rechargeable battery pack to the socket in the battery compartment.
4. Install the battery cover and turn the latch to lock it in position.
5. The "Power LED" on the vehicle will not flash nor stay on if the rechargeable battery has run out power.



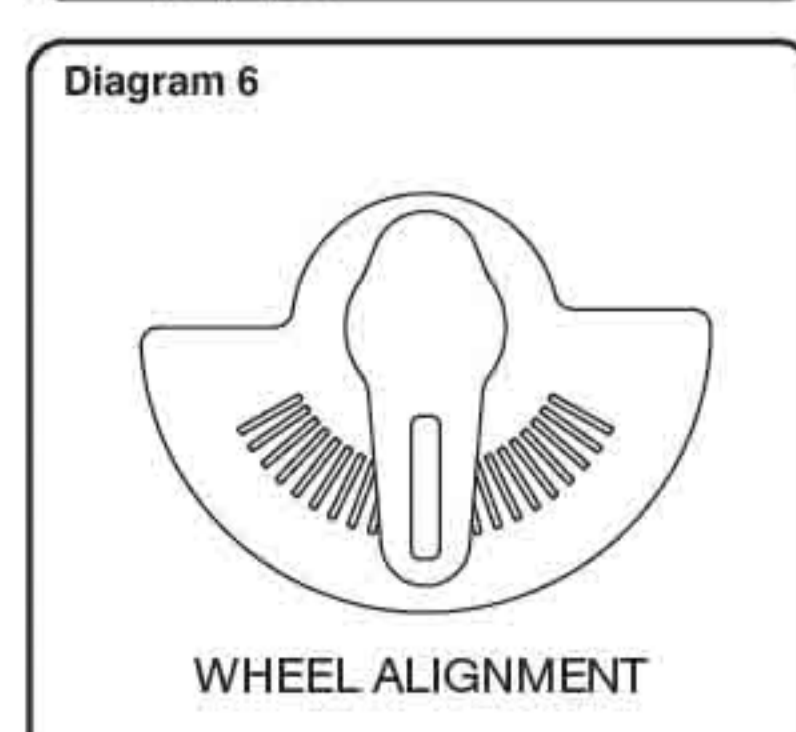
How to play: (Refer to Diagram 4, 5 & 6)

1. Set the "Power Switch" on the controller and vehicle to ON position, the "Power LED" on both the controller and vehicle will flash less than 3 seconds then stay on, meaning the automatic frequency matching between the controller and the vehicle is completed.
2. If the "Power LED" of the controller or the "Power LED" of the vehicle flash more than 3 seconds, switch off both the vehicle and controller, then turn them on again.
3. Pull the trigger in the transmitter half way to drive the vehicle forward. Pull the trigger full way to obtain extra speed. Push the trigger in the transmitter to drive the vehicle backward.
4. Turn the steering knob in the transmitter to steer the vehicle to right or left.
5. If the vehicle went too far and out of control, switch off both the vehicle and controller, then turn them on again.
6. If the vehicle does not run in a straight line, adjust the wheel alignment under the chassis.
7. Turn the switch of the controller and vehicle to OFF position when not in play.



Performance Tips:

1. Do not drive the vehicle on grass, sand or go through water.
2. Do not drive the vehicle in windy or rainy weather.
3. Do not drive the vehicle into any hard object.
4. Keep fingers, hair and loose clothing away from the vehicle.
5. It's not allow children to ride on the vehicle.
6. The operating range can be affected by a variety of factors:
 - a) Weak controller or vehicle batteries.
 - b) Interference from other items that emit radio frequency signals such as another R/C item on the same frequency, CB radios, cordless phones, high voltage transmitter, etc.
7. Outdoor usage is recommended in order to get optimal control range.
8. Remove the package, take out all accessories and assemble the product before giving it to children to play.



English

Cautions:

1. The 6.4V Li-ion battery pack must be charged before use. Use only the battery pack and USB Cable that came with this vehicle.
2. Do not overcharge the Battery Pack. Do not charge for more than 3 hours except for the initial two charges.
3. Do not charge the Battery Pack if it shows leakage, corrosion, or has loose or exposed wires or other damage.
4. Do not cover the Battery Pack with any sort of material while charging.
5. Do not touch the Battery Pack when it is hot. Wait until the Battery Pack cools before installing it in the Vehicle and before recharging.
6. Do not dispose of the Battery in fire.
7. Do not dismantle the Battery or USB Cable, and do not cut the Battery or USB Cable.
8. The Battery Pack will be warm after charging, and hot after use in a Vehicle.
9. The supply terminals are not to be short-circuited.
10. Rechargeable Batteries are to be removed from the toy before being charged.
11. Rechargeable batteries are only to be charged by adults or by children at least 8 years old.
12. Battery change must only be made by adults!
13. The USB Cable is not a toy.
14. Use only the USB Cable to charge the 6.4V Rechargeable Li-ion battery pack that comes with the product. Other types of battery may burst causing injury to persons and damage. Regularly examine the USB Cable for any damage to the cord, plug, enclosure and other parts. If any damage is found DO NOT use the USB Cable or Battery Pack until it is replaced. Do not use the USB Cable for any use other than instructed in this manual.
15. Note that the 1.5V "AA" Battery is non-rechargeable and is not to be recharged. Only Batteries of the same or equivalent type as recommended are to be used. It will need replacement when transmission is poor. Alkaline AA batteries are recommended to be used for the transmitter. Do not mix alkaline, standard or rechargeable batteries. Do not mix old and new batteries or different type of batteries. Be sure to insert batteries with correct polarities and always follow the battery manufacturer's instructions.
16. Exhausted batteries must be removed from the product.

FCC Label Compliance Statement:

This device complies with part 15 of the FCC rules. Operation is subject to the following two conditions :

1. This device may not cause harmful interference, and
2. This device must accept any interference received, including interference that may cause undesired operation. Note : This equipment has been tested and found to comply with the limits for a Class B digital device, pursuant to Part 15 of the FCC Rules. These limits are designed to provide reasonable protection against harmful interference in a residential installation. This equipment generates, uses and can radiate radio frequency energy and, if not installed and used in accordance with the instructions, may cause harmful interference to radio communications. However, there is no guarantee that interference will not occur in a particular installation. If this equipment does cause harmful interference to radio or television reception, which can be determined by turning the equipment off and on, the user is encouraged to try to correct the interference by one or more of the following measures:
 - Reorient or relocate the receiving antenna.
 - Increase the separation between the equipment and receiver.
 - Connect the equipment into an outlet on a circuit different from that to which the receiver is connected.
 - Consult the dealer or an experienced radio/TV technician for help.
 Warning : Changes or modifications to this unit not expressly approved by the party responsible for compliance could void the user's authority to operate the equipment.

Size: A4_297mm(W) x 210mm(H)
Color: 1C (Black)

MAY CHEONG TOY PRODUCTS FTY. LTD.			DIECUT
Job Item: Q0462/17 ins_Eng	Finished by: Qiang	Date: 2018/07/06	Test No.:
Item No.: Maisto US Standard #81462 R/C Hobby Elite Off-Road Attack	Check by:	DWN Name: yangmin	Material: