



2.4G R/C BOAT

English

Age 8+

#82196

Maisto - Radio Control Vehicles

WARNING! Not suitable for children under the age of 36 months due to danger of swallowing small parts. Choking hazard!

Please keep this owner's instruction manual for future reference. It contains important information. We reserve the right to improve/revise the product specifications without notice.

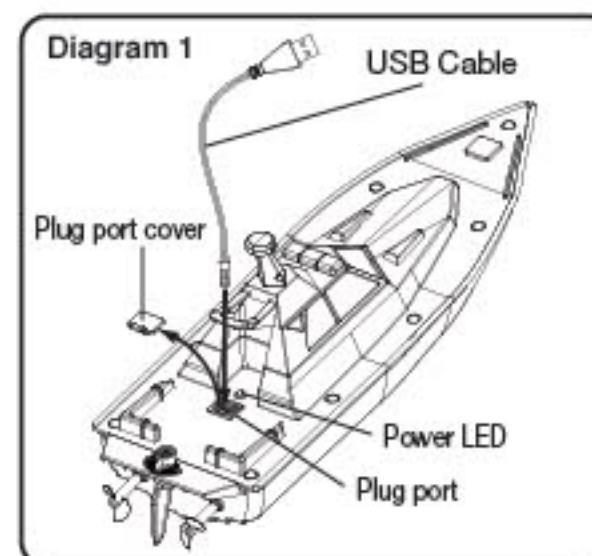
Class 1 LED Product

Contents:

- RC Boat With Built-in Rechargeable Battery x 1
- Controller x 1
- USB Cable x 1
- 1.5V "AA" LR6/R6 non-rechargeable Battery (For Controller Use) x 2
- Owner's Instruction Manual x 1

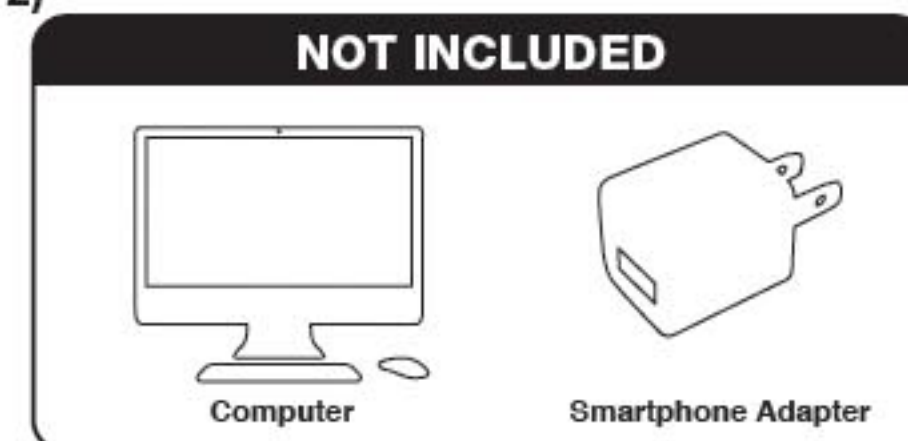
Charging the built-in rechargeable battery for the RC boat: (Refer to 1).

1. Open the charging port cover on the boat.
2. Locate a USB certified port from any of the devices shows below.
3. Plug in the USB charging plug to boat and USB certified port.
4. The LED indicator will start lighting in red to show it is charging.
5. Once the LED indicator turns off, the boat is fully charged.
6. Take out the USB plug from boat and USB certified port, then install the charging port cover on the boat.



Battery installation for the controller: (Refer to Diagram 2)

1. Switch the power OFF.
2. Use screwdriver to loosen the screw on the battery cover and to open the battery cover. (Screwdriver is not included)
3. Install 2 new 1.5V "AA" LR6/R6 battery with correct polarity (+/-) as shown inside the battery compartment.
4. Install the battery cover and then tighten the screw on the battery cover.



English

How to play: (Refer to 3, 4 & 5)

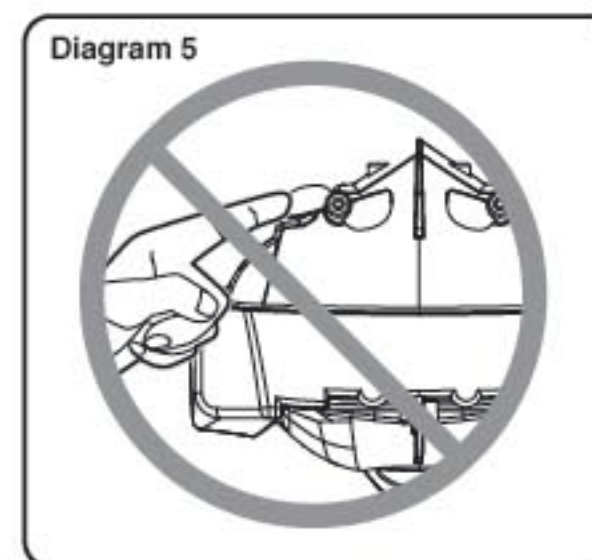
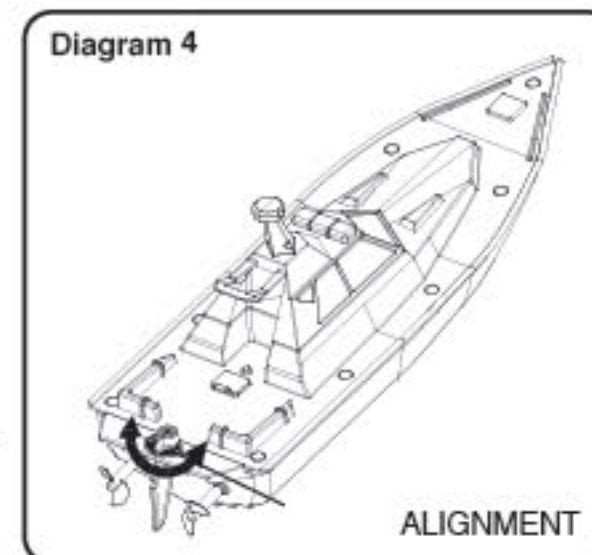
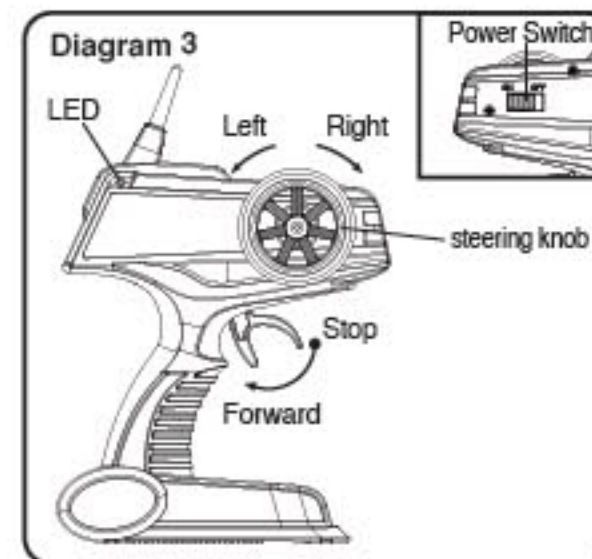
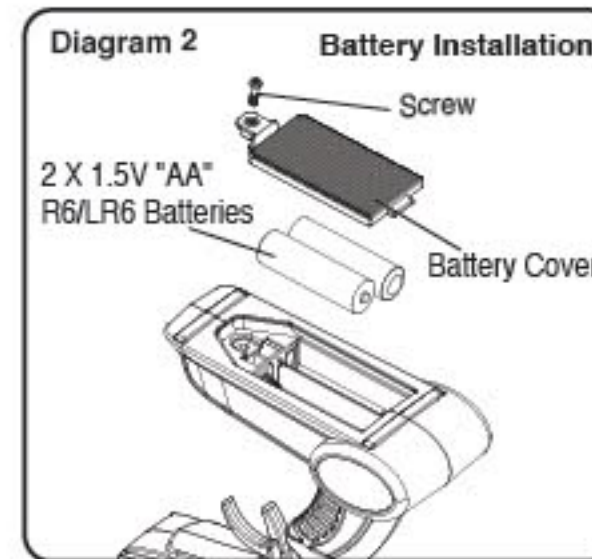
1. Place the boat on water. The propeller only works when the boat is on water.
2. Set the "Power Switch" on the controller to ON position, the "Power LED" on both the controller and boat will flash less than 3 seconds then stay on, meaning the automatic frequency matching between the controller and the boat is completed.
3. If the "Power LED" of the controller or the "Power LED" of the boat flash more than 3 seconds, take up the boat from water and put it back again, then switch off the controller and turn it on again.
4. Pull the trigger in the transmitter half way to drive the boat forward. Pull the trigger full way to obtain extra speed.
5. When the boat is driving forward, turn the steering knob in the transmitter to steer the boat to right or left.
6. If the boat does not run in a straight line, adjust the alignment on the boat.
7. The "Power LED" on the boat will not flash nor stay on if the rechargeable battery has run out power.
8. Do not drive the boat onto the shore - that will damage the propeller.
9. Take up the boat from water and switch off the controller when not in play.

Performance Tips:

1. Do not drive the boat in windy or rainy weather.
2. Keep fingers, hair and loose clothing away from the propeller. (Refer to Diagram 5)
3. The operating range can be affected by a variety of factors:
 - a) Weak transmitter or boat batteries.
 - b) Interference from other items that emit radio frequency signals such as another R/C item on the same frequency, CB radios, cordless phones, high voltage transformers, etc.
4. Do not operate the boat in salt water, it is designed for use in fresh water only.
5. Be sure to bring the boat back to shore (out of water) before the battery runs out.
6. Outdoor usage is recommended in order to get optimal control range.
7. Remove the package, take out all accessories and assemble the product before giving it to children to play.
8. The boat is to be operated in water only when fully assembled in accordance with instruction.

Cautions:

1. The Built-in rechargeable battery must be charged before use.
2. Do not overcharge the Battery. Do not charge for more than 1.5 hours except for the initial two charges.
3. Do not charge the Battery if it shows leakage, corrosion, or has loose or exposed wires or other damage.
4. Do not cover the boat with any sort of material while charging.
5. Do not touch the boat when it is hot. Wait until the boat cools before recharging.
6. Do not dispose of the Battery in fire.
7. Do not dismantle the Battery or USB, and do not cut the Battery or USB cables.
8. The transformer used with the toy shall be regularly examined for damage to the cord, plug, enclosure and other parts, and in the event of such damage, they must not be used until the damage has been repaired.
9. Rechargeable batteries are to be removed from the toy before being charged (for transmitter).
10. The Battery will be warm after charging, and hot after use in a boat.
11. The supply terminals are not to be short-circuited.
12. Rechargeable batteries are only to be charged by an adult!
13. Rechargeable batteries are only to be charged by adults or by children at least 8 years old.



P.2



English

14. The USB Cable is not a toy.
15. Note that the 1.5V "AA" Battery is non-rechargeable and is not to be recharged. Only Batteries of the same or equivalent type as recommended are to be used. It will need replacement when transmission is poor. Alkaline AA batteries are recommended to be used for the transmitter. Do not mix alkaline, standard or rechargeable batteries. Do not mix old and new batteries or different type of batteries. Be sure to insert batteries with correct polarities and always follow the battery manufacturer's instructions.
16. Exhausted batteries must be removed from the product.

FCC Label Compliance Statement:

This device complies with part 15 of the FCC rules. Operation is subject to the following two conditions:

1. This device may not cause harmful interference, and
 2. This device must accept any interference received, including interference that may cause undesired operation.
- Note: This equipment has been tested and found to comply with the limits for a Class B digital device, pursuant to Part 15 of the FCC Rules. These limits are designed to provide reasonable protection against harmful interference in a residential installation. This equipment generates, uses and can radiate radio frequency energy and, if not installed and used in accordance with the instructions, may cause harmful interference to radio communications. However, there is no guarantee that interference will not occur in a particular installation. If this equipment does cause harmful interference to radio or television reception, which can be determined by turning the equipment off and on, the user is encouraged to try to correct the interference by one or more of the following measures:

- Reorient or relocate the receiving antenna.
- Increase the separation between the equipment and receiver.
- Connect the equipment into an outlet on a circuit different from that to which the receiver is connected.
- Consult the dealer or an experienced radio/TV technician for help.

Warning: Changes or modifications to this unit not expressly approved by the party responsible for compliance could void the user's authority to operate the equipment.

RSS-210 Compliance Statement:

This device complies with Industry Canada licence-exempt RSS standard(s).

Operation is subject to the following two conditions:

- (1) this device may not cause interference, and
- (2) this device must accept any interference, including interference that may cause undesired operation of the device.

Environmental notes:



The whole product also does not belong to household waste at the end of the product life. You can return it at collection points for the recycling of electronic and electrical instruments. The symbol on the item, instruction manual, hangtag or packing is showing this clearly.

Materials should be recycled according to their respective markings.

Recycling of old devices or other re-use of materials contained therein represents an important contribution to environmental protection.

Please ask at your local community for the correct collection point. Please retain this sheet and address for future use, as they contain important information.

Disposal of batteries

Batteries should not be disposed of in the household waste. As the consumer you are legally obliged to return batteries containing harmful substances and all other used batteries. You can hand in your old batteries at public collection points in your area or wherever batteries are sold.



You will find these chemical abbreviations along with a crossed-out refuse bin on batteries containing harmful substances:

Pb = Battery contains lead
Cd = Battery contains cadmium
Hg = Battery contains mercury

P.3



English

CE Declaration

Hereby, MAY CHEONG GROUP FRANCE S.A.S., declares that this equipment is in compliance with the essential requirements and other relevant provisions of directive 2014/53/EU.

Frequency: 2.4GHz
Transmitting frequency band: 2.4-2.4835GHz
Max allowed transmitting power: <10mW

The declaration of conformity may be consult at:

MAY CHEONG GROUP FRANCE S.A.S.;
Parc Ariane - Le Vénus, 2 rue Hélène Boucher, 78280 Guyancourt, France.

The full text of the EU declaration of conformity is available at the following internet address:
www.maycheonggroup.com.hk/declaration-of-conformity



www.maisto.com



MADE IN CHINA

P.4