

#81018 MU (Rev 3)

## Maisto Radio Control Vehicles

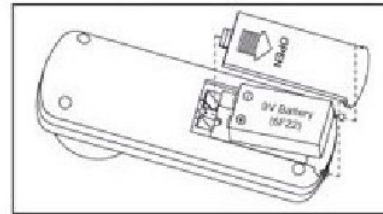
The packaging and instruction manual contain important information. Please keep them for future reference.  
 Not suitable for children under 3 years of age because small parts can be swallowed.  
 We reserve the right to change colours and specifications.

### Contents:

- RC vehicle x 1
- RC transmitter x 1
- Instruction manual x 1

### Battery Requirement :

- Vehicle : 2 x 1.5V "AA" / LR6 alkaline batteries.
- Transmitter : 1 x 9V (6F22) battery.



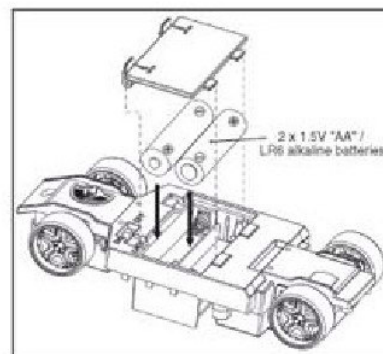
### Installing or replacing the batteries :

#### For Transmitter:

1. Open the battery cover.
2. Install a new 9V Battery with correct polarity (+/-) as shown inside the battery compartment.
3. Close the battery cover.

#### For Vehicle:

1. Switch the power OFF.
2. Open the battery cover.
3. Install two new AA 1.5V batteries with correct polarity (+/-) as shown inside the battery compartment.
4. Fasten the battery cover.

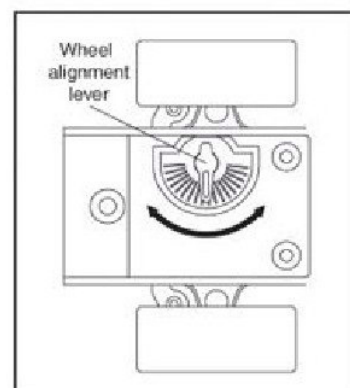
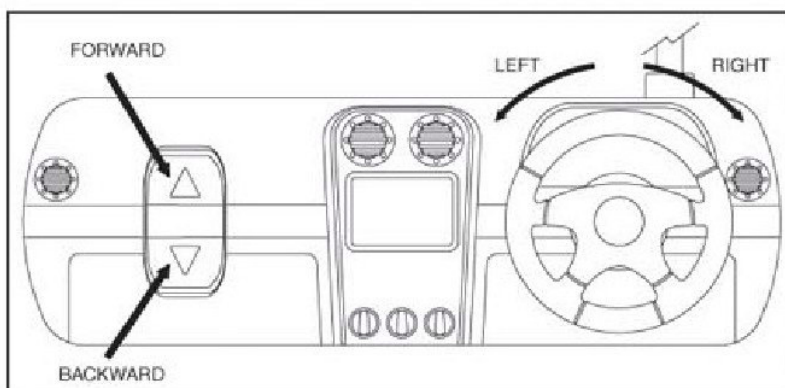


### How to play :

1. Switch ON the vehicle.
2. Drive the vehicle forwards and backwards by pressing the FORWARD and BACKWARD buttons respectively.
3. Turn the transmitter steering wheel to move the vehicle left or right.
4. If the vehicle does not run in a straight line, adjust the wheel alignment lever on the vehicle chassis.
5. Remember to switch OFF the vehicle power after playing.

### Performance Tips:

1. Do not drive on grass, dirt, sand, carpet or go through water.
2. Do not drive in windy or rainy weather.
3. Avoid direct impact with obstacles.
4. Switch off the vehicle when not in use.
5. Keep fingers, hair and loose clothing away from the wheels.
6. The operating range can be affected by a variety of factors:
  - a) weak transmitter's or vehicle's batteries.
  - b) Interference from other items that emit radio frequency signals such as another R/C item on the same frequency, CB radios, cordless phones, high voltage transformers, etc.
7. Outdoor usage is recommended in order to get optimal control range.



## Battery use

1. Alkaline batteries are recommended to use.
2. Only batteries of the same or equivalent type as recommended are to be used.
3. Do not mix alkaline, standard or rechargeable batteries.
4. Do not mix old and new batteries or different type of batteries.
5. Non-rechargeable batteries are not to be charged.
6. If rechargeable batteries are used, they are only to be charged under adult supervision.
7. Rechargeable batteries are to be removed from the product before they are charged.
8. Be sure to insert batteries with the correct polarities and always follow the battery manufacturer's instructions.
9. Remove all batteries from the vehicle and transmitter when not in use.
10. Exhausted batteries are to be removed from the product.
11. The supply terminals are not to be short-circuited.
12. Dispose of batteries properly. Do not dispose the batteries in fire — it may cause them to explode or leak causing injury or damage.
13. Battery change must be only made by adults!

## Cautions

1. Do not attempt to disassemble the products.
2. Do not operate the vehicle with same frequency with other players in same location that will interfere and make the vehicle out of control.
3. Make sure the batteries are Installed with correct polarity (+/-) as shown inside the battery compartment.

## FCC Label Compliance Statement:

This device complies with part 15 of the FCC rules. Operation is subject to the following two conditions :

1. This device may not cause harmful interference, and
2. This device must accept any interference received, including interference that may cause undesired operation.

Note : This equipment has been tested and found to comply with the limits for a Class B digital device, pursuant to Part 15 of the FCC Rules. These limits are designed to provide reasonable protection against harmful interference in a residential installation. This equipment generates, uses and can radiate radio frequency energy and, if not installed and used in accordance with the instructions, may cause harmful interference to radio communications. However, there is no guarantee that interference will not occur in a particular installation. If this equipment does cause harmful interference to radio or television reception, which can be determined by turning the equipment off and on, the user is encouraged to try to correct the interference by one or more of the following measures:

- Reorient or relocate the receiving antenna.
- Increase the separation between the equipment and receiver.
- Connect the equipment into an outlet on a circuit different from that to which the receiver is needed.
- Consult the dealer or an experienced radio/TV technician for help.

The manufacturer is not responsible for any radio or TV interference caused by unauthorized modifications to this equipment. Such modifications could void the User's Authority to operate the equipment.

## RSS-310 Compliance Statement :

This radiocommunication device complies with all the requirements of Industry Canada Standard RSS-310.

Operation is subject to the following two conditions: (1) this device may not cause interference, and (2) this device must accept any interference, including interference that may cause undesired operation of the device.

## Declaration of Conformity

The product is in conformity with the requirement of 1999/5/EC

**Environmental notes:**



The whole product also does not belong to household waste at the end of the product life. You can return it at collection points for the recycling of electronic and electrical instruments. The symbol on the item ,instruction manual, hangtag or packing is showing this clearly.

Materials should be recycled according to their respective markings.

Recycling of old devices or other re-use of materials contained therein represents an important contribution to environmental protection.

Please ask at your local community for the correct collection point.

**Caution! Important advice – please strictly observe!**

- Non-rechargeable batteries should not be charged.
- Remove rechargeable batteries from the toy prior to charging.
- Rechargeable batteries should only be charged under the supervision of an adult.
- Different battery types or new and used batteries should not be used together.
- Only use the recommended batteries or equivalent type.
- When inserting the batteries, ensure that the polarity is correct.
- Remove empty batteries from the toy.
- Remove batteries if toy is unused for longer periods of time.
- Do not short-circuit terminals.
- Do not throw batteries into the fire.

Please retain this sheet and address for future use, as they contain important information.

**Disposal of batteries**

Batteries should not be disposed of in the household waste. As the consumer you are legally obliged to return batteries containing harmful substances and all other used batteries.

You can hand in your old batteries at public collection points in your area or wherever batteries are sold.



You will find these chemical abbreviations along with a crossed-out refuse bin on batteries containing harmful substances:

- Pb = Battery contains lead
- Cd = Battery contains cadmium
- Hg = Battery contains mercury

**CE Declaration**

We, hereby, declare that the device complies with the basic requirements and other relevant regulations of the EU Directive 1999/5/EC.

**Trouble shooting**

Problem	Cause	Correction
No Function	Low battery level	Replace with new batteries
	Battery polarities are reversed	Insert the batteries with correct polarities as shown on the battery compartment
Drive Slow / Poor Turning Signal	The wheels are obstructed by foreign objects	Remove foreign objects on the vehicle / wheels
	Low battery level	Replace with new batteries
Poor distance control	Strong interference of surroundings	Move to a better location for playing
	Low battery level	Replace with new batteries