



Eng #81131 / #81132

CAUTION - ELECTRIC TOY

NOT RECOMMENDED FOR CHILDREN UNDER 8 YEARS OF AGE. AS WITH ALL ELECTRIC PRODUCTS, PRECAUTIONS SHOULD BE OBSERVED DURING HANDLING AND USE TO PREVENT ELECTRIC SHOCK.

INPUT : 120V AC 60Hz 8W ONLY.
OUTPUT : 9V DC 200 mA.



WARNING:

CHOKING HAZARD - Small parts.
Not for children under 3 years.

Maisto Radio Control Vehicles

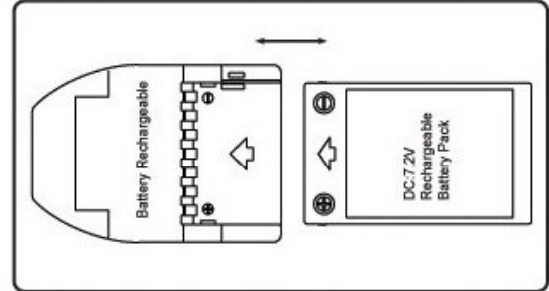
Warning! The antenna of vehicle is not to be inserted into socket outlets.
The packaging has to be kept since it contains important information.
Class 1 LED Product

Contents:

- RC Vehicle: X1
- RC Transmitter X1
- Antenna tube: X1
- 5-hour battery charger X1
- 7.2V Rechargeable battery pack(for vehicle) X1
- 9V(6F 22)battery(non-rechargeable/for RC transmitter) X1
- Instruction manual X1

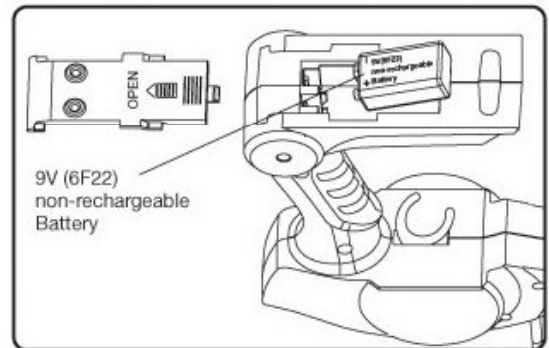
Charging the rechargeable battery pack for the RC vehicle

1. Match +/- polarities of 7.2V Rechargeable battery pack to +/- polarities on the charger and insert the rechargeable battery pack into the charger.
2. Plug the charger into the AC socket.
3. Charging time about 5 hours.
4. After charging finished, unplug the charger from the AC socket. Press the yellow button on the charger to release the rechargeable battery pack.
5. Allow battery to charge for a minimum of 8 hours on the initial two charges. Subsequent charges require only 5 hours.



Battery installation for RC transmitter

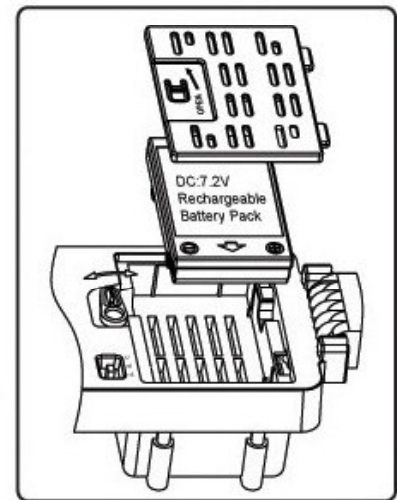
1. Set the power switch on the transmitter to "off" position..
2. Open the battery cover.
3. Install a new 9V(6F 22)battery with correct polarity (+/-) as shown inside the battery compartment.
4. Replace the battery cover.



Battery installation for the RC vehicle

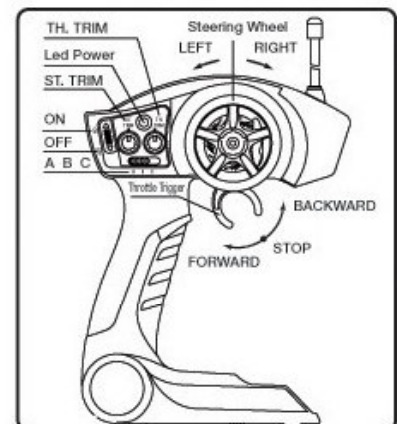
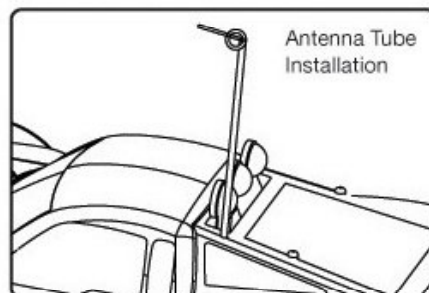
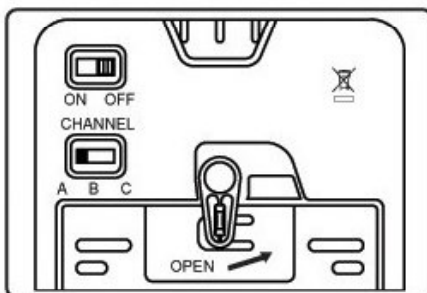
And antenna tube installation

1. Set the power switch on the vehicle to OFF position.
2. Turn the latch to the open direction on the battery cover. Remove the battery cover.
3. Install 7.2V Rechargeable battery pack into the battery compartment with correct polarities (+/-) as shown inside the battery compartment.
4. Replace the battery cover and turn the latch to lock it in position.
5. Insert antenna wire into the antenna tube. Pass the antenna tube through the hole in the car cover. Tie a knot with the exposed wire.



How to play:

1. Match the channel A, B or C in the both the RC transmitter and the RC vehicle.
2. Turn the power switch in the transmitter to ON position, the LED indicator will turn on.
3. Turn the power switch in the vehicle to ON position.
4. Adjust the **TH. TRIM** button to set up the vehicle in the center position between forward and backward. Then adjust the **ST. TRIM** to align the front wheels in a straight position.
5. Pull the trigger switch in the transmitter to accelerate and drive the vehicle forward. Push the trigger switch in the transmitter to accelerate and drive the vehicle backward.
6. Turn the steering knob in the transmitter to steer the vehicle to right or left.
7. If the vehicle does not run straight, align the front wheels with the **ST. TRIM** button.
8. After playing, turn off the power switches on both the vehicle and transmitter.
9. The best operating range is about 50 meters (160 feet) in open area.



Performance Tips:

1. Do not drive on grass, sand or go through water.
2. Do not drive in windy or rainy weather.
3. Avoiding colliding with hard surface.
4. Switch OFF the vehicle and transmitter after playing. When not in use for a long time, remove the batteries to prevent the leakage of electrolyte damaging the transmitter and the vehicle.



5. Keep fingers, hair and loose clothing away from wheels.
6. The operating range can be affected by a variety of factors:
 - A) Weak transmitter battery, or under-charged battery pack.
 - B) Interference from other items that emit radio frequency signals such as another R/C item on the same frequency, CB radios, cordless phones, high voltage transformers, etc.
7. Outdoor usage is recommended in order to get optimal control range.
8. Recommend to play the vehicle in flat and clean area.
9. Due to high speed of the vehicle, do not run into people and animals when playing.
10. When start playing, turn on the transmitter first and then the vehicle. After playing, turn off the vehicle first and then the transmitter.

Cautions :

1. The 7.2V battery pack must be charged before use by utilizing the Battery Pack Charger which is included.
2. Do not overcharge the Battery Pack. Do not charge for more than 6 hours in subsequent charges.
3. Do not charge the Battery Pack if it shows leakage, corrosion, or has loose or exposed wires or other damage.
4. Do not cover the Battery Pack with any sort of material while charging.
5. Do not touch the Battery Pack when it is hot. Wait until the Battery Pack cools before installing it in the Vehicle and before recharging.
6. Do not dispose of the Battery in fire.
7. Do not dismantle the Battery or Charger, and do not cut the Battery or Charger cables.
8. The Battery Pack will be warm after charging, and hot after use in a Vehicle.
9. The supply terminals are not to be short-circuited.
10. Rechargeable Batteries are to be removed from the toy before being charged.
11. Rechargeable Batteries are only to be charged under adult supervision.
12. Battery change must be only made by adults!
13. The transformer is not a toy.
14. Charge Only Type (1000mAH Max.) rechargeable Battery Packs. Other types of Batteries may burst causing injury to persons and damage. This power unit is intended to be correctly orientated in a vertical or floor mount position. This Quick Charger is intended to be used for charging 7.2V Rechargeable Battery Pack with capacity 1000mAh Max. It cannot be used for charging non-rechargeable Batteries. Regular examination of Battery Charger for any damage to their cord, plug, enclosure and other parts, and that, in the event of such damage, it must not be used with the Charger or Battery Pack charge until such damage has been repaired. Note that the 9V Battery is non-rechargeable and is not to be recharged. Only Batteries of the same or equivalent type as recommended are to be used. It will need replacement when transmission is poor.
15. Exhausted Batteries are to be removed from the Product.

FCC Label Compliance Statement:

This device complies with part 15 of the FCC rules. Operation is subject to the following two conditions :

1. This device may not cause harmful interference, and
2. This device must accept any interference received, including interference that may cause undesired operation.
Note : This equipment has been tested and found to comply with the limits for a Class B digital device, pursuant to Part 15 of the FCC Rules. These limits are designed to provide reasonable protection against harmful interference in a residential installation. This equipment generates, uses and can radiate radio frequency energy and, if not installed and used in accordance with the instructions, may cause harmful interference to radio communications. However, there is no guarantee that interference will not occur in a particular installation. If this equipment does cause harmful interference to radio or television reception, which can be determined by turning the equipment off and on, the user is encouraged to try to correct the interference by one or more of the following measures:
 - Reorient or relocate the receiving antenna.
 - Increase the separation between the equipment and receiver.
 - Connect the equipment into an outlet on a circuit different from that to which the receiver is needed.
 - Consult the dealer or an experienced radio/TV technician for help.

Warning : Changes or modifications to this unit not expressly approved by the party responsible for compliance could void the user's authority to operate the equipment.



Disposal of batteries

Batteries should not be disposed of in the household waste. As the consumer you are legally obliged to return batteries containing harmful substances and all other used batteries.

You can hand in your old batteries at public collection points in your area or wherever batteries are sold.



You will find these chemical abbreviations along with a crossed-out refuse bin on batteries containing harmful substances:

Pb = Battery contains lead
Cd = Battery contains cadmium
Hg = Battery contains mercury

Warranty

All Maisto R/C Vehicles have a 30 day limited warranty in function and performance. You may receive a new replacement vehicle if the defective vehicle is returned to Maisto freight prepaid and confirmed to be factory defective. We are not responsible for defects due to abusive use, or damaged for reasons other than factory defects. We also reserve the right to make the final judgment and decision. Check the FAQ section before you return the unit to Maisto.

FAQ (Frequently Asked Questions)

1) Why does my R/C Vehicle not start?

- Make sure the Transmitter and the Vehicle are turned on.
- Make sure the Battery Pack is fully charged and the Battery is full.
- Make sure the Batteries are installed per polarity indicators.
- Make sure all 4 wheels are not obstructed by any foreign objects.
- Make sure the Transmitter and the Vehicle are set at the same channel.

2) Why does my R/C Vehicle make unusual noises?

- Check to make sure the Battery Pack is fully charged and the Battery is full.
- Check to make sure all 4 wheels are not obstructed by any foreign objects.

3) Will my R/C tires wear out quickly like some other R/C cars?

- Tires on Maisto R/C vehicles should not wear out quickly under normal use. However if necessary, new tires can be purchased. See the Maisto contact information below.

4) How do I buy replacement parts for my Maisto R/C Vehicle?

- New parts can be purchased. See the Maisto contact information below.

5) What if I'm still having a problem?

- Check the FAQ and make sure all attempts have been made to make the unit work.
- Check your purchase receipt date and make sure it's within the 30 days warranty period at the time you intend to send it back.
- Contact Maisto (see below), and tell us the model that you have, the problem(s) you are having, your daytime phone number, and any other information that might be helpful to us to correct the problem.
- If Maisto cannot solve your problem by mail, email or telephone, we will issue a return authorization number so you can return the unit to us for repair or replacement. **No returns will be accepted without a return authorization (RA) number issued by Maisto clearly marked on the outside of the package.** Pack the unit back in its original box or another box with sufficient protective material, include a copy of your dated store receipt and a description of the problem then send it freight prepaid to the address which we will provide once you receive your RA number.

Website: www.maisto.com

Email: rcsupport@maisto.com

Phone: (909) 357-7988
8:30 a.m. - 5:00 p.m. Monday-Friday Pacific Time

MADE IN CHINA