

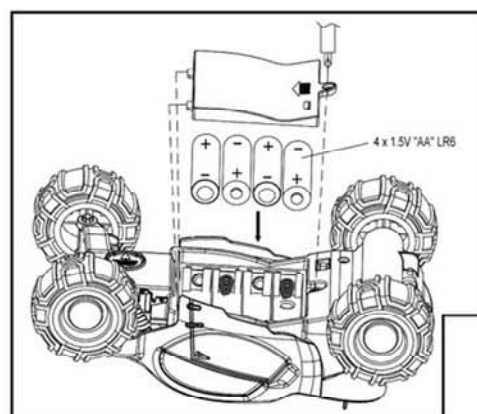
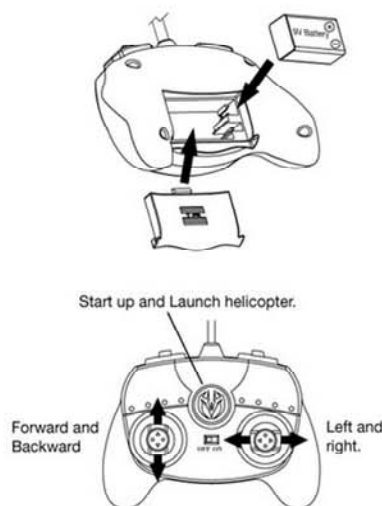
⚠ WARNING:
CHOKING HAZARD - Small parts.
 Not for children under 3 years.

Warning! Do not aim at eyes or face.
 Do not use projectiles other than those supplied or recommended by the manufacturer.
 The packaging and instruction manual contain important information.
 Please keep them for future reference.
 We reserve the right to improve/amend specifications and colours without notice.
 Class 1 LED Product

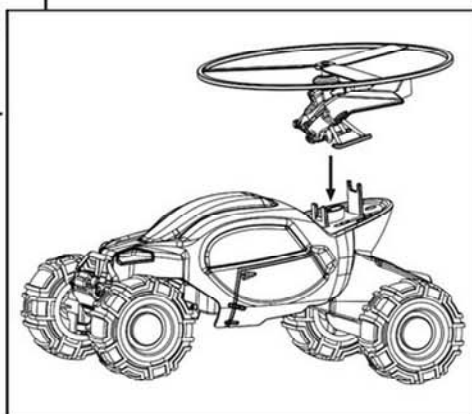
Contents:
 RC Vehicle x 1
 Helicopter x 1
 RC Transmitter x 1
 Instruction manual x 1

Battery requirement:
 1. Vehicle: 4 x 1.5V "AA" LR6 alkaline batteries
 2. RC Transmitter: 1 x 9V 6F22 battery

Battery installation:
For transmitter:
 1. Switch off the power of the transmitter.
 Open the battery cover.
 2. Install a new 9V battery with correct polarity (+/-) as shown inside the battery compartment.
 3. Close the battery cover.



For vehicle:
 1. Switch the power off. Take off the car cover and use the screwdriver to open the battery cover.
 2. Install 4 new 1.5V "AA" LR6 alkaline batteries with correct polarity (+/-) as shown inside the battery compartment.
 3. Fasten the battery cover.



How to play:
 1. Switch on the transmitter.
 2. Switch on the vehicle.
 3. Place the helicopter properly on the rear part of the vehicle.
 4. Push forward the lever on the left side of the transmitter control the vehicle drive forward. Pull backward the lever on the left side of the transmitter control the vehicle drive backward.
 5. Push left the lever on the right side of the transmitter control the vehicle turn left. Pull right the lever on the right side of the transmitter control the vehicle turn right.
 6. Press and hold the launch button in the center of the transmitter for 2 seconds, then release to launch the helicopter.
 7. If the vehicle does not run in straight line, adjust the wheel alignment lever on the vehicle chassis.
 8. Remember to switch OFF the transmitter and vehicle power after playing.

Performance Tips
 1. Do not drive on grass, dirt, sand, carpet or go through water.
 2. Do not drive in windy or rainy weather.
 3. Avoid direct impact with obstacles.
 4. Switch off the vehicle and transmitter when not in use.
 5. Keep fingers, hair and loose clothing away from wheels.
 6. The operating range can be affected by a variety of factors.
 a) Weak batteries in transmitter or vehicle.
 b) Interference from other items that emit radio frequency signals.
 7. Outdoor usage is recommended in order to get optimal control range.

Battery use
 1. Alkaline batteries are recommended to use.
 2. Only batteries of the same or equivalent type as recommended are to be used.
 3. Do not mix alkaline, standard or rechargeable batteries.
 4. Do not mix old and new batteries or different type of batteries.
 5. Non-rechargeable batteries are to be charged.
 6. If rechargeable batteries are to be used, they are only to be charged under adult supervision.
 7. Rechargeable batteries are to be removed from the product before they are charged.
 8. Be sure to insert batteries with correct polarities and always follow the battery manufacturer's instructions.
 9. Remove all batteries from the vehicle and transmitter when not in use.
 10. Exhausted batteries are to be removed from the product.

- The supply terminals are not to be short-circuited.
- Dispose of batteries properly. Do not dispose the batteries in fire – it may cause them to explode or leak causing injury or damage.
- Battery change must be only made by adults.

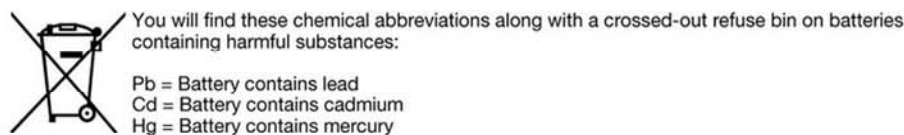
Cautions
 1. Do not attempt to disassemble the products.
 2. Do not operate the vehicle with same frequency with other players in same location that will interfere and make the vehicle out of control.
 3. Make sure the batteries are installed with correct polarity (+/-) as shown inside the battery compartment.
 4. Remove the package and take out all accessories before giving product to child to play.

FCC Label Compliance Statement:
 This device complies with part 15 of the FCC rules. Operation is subject to the following two conditions :

- This device may not cause harmful interference, and
 - This device must accept any interference received, including interference that may cause undesired operation.
- Note : This equipment has been tested and found to comply with the limits for a Class B digital device, pursuant to Part 15 of the FCC Rules. These limits are designed to provide reasonable protection against harmful interference in a residential installation. This equipment generates, uses and can radiate radio frequency energy and, if not installed and used in accordance with the instructions, may cause harmful interference to radio communications. However, there is no guarantee that interference will not occur in a particular installation. If this equipment does cause harmful interference to radio or television reception, which can be determined by turning the equipment off and on, the user is encouraged to try to correct the interference by one or more of the following measures:
- Reorient or relocate the receiving antenna.
 - Increase the separation between the equipment and receiver.
 - Connect the equipment into an outlet on a circuit different from that to which the receiver is needed.
 - Consult the dealer or an experienced radio/TV technician for help.

The manufacturer is not responsible for any radio or TV interference caused by unauthorized modifications to this equipment. Such modifications could void the User's Authority to operate the equipment.

Disposal of batteries
 Batteries should not be disposed of in the household waste. As the consumer you are legally obliged to return batteries containing harmful substances and all other used batteries. You can hand in your old batteries at public collection points in your area or wherever batteries are sold.



www.maisto.com
 MADE IN CHINA