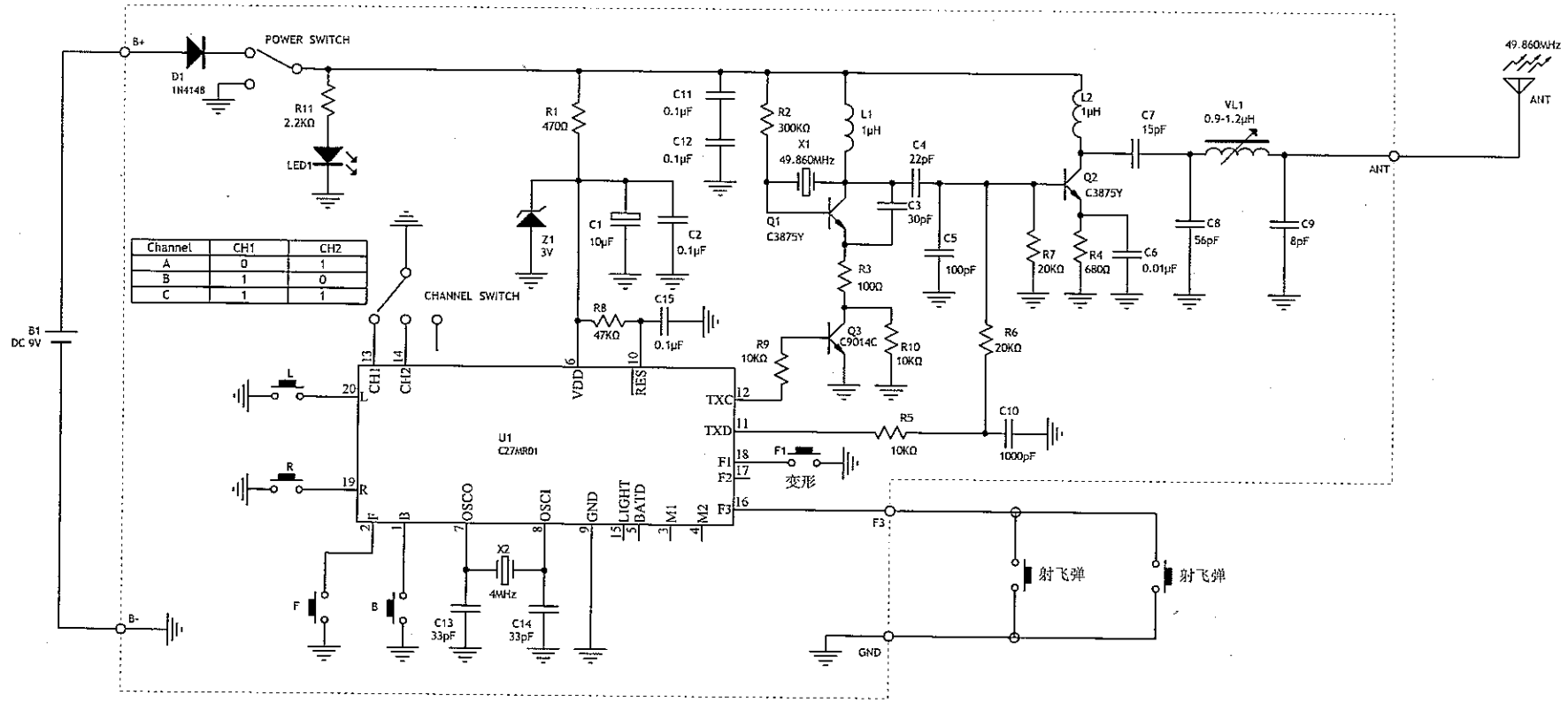


REV.	DESCRIPTION:	BY	APPROVED	DATE



Channel	CH1	CH2
A	0	1
B	1	0
C	1	1

TOLERANCE UNLESS OTHERWISE SPECIFIED		MATERIAL:		MaiSto. MAY CHEONG TOY PRODUCTS FTY. LTD. TITLE: TX CIRCUIT DIAGRAM			
XX	=± /	ANGLE	=± / °			FINISH:	
X.XX	=± /	XX	=± /			PROJ. NAME: #07188 (49.86MHz)	
XXXX	=± /					PART NO.:	
DIMENSIONS:		APPROVAL		DATE			
SCALE		DWN.:		DRG. NAME:			
PROJECTION		SIZE		APP.:			
		A4		ACAD			
DO NOT SCALE DRAWING		SHEET: 1 OF 1		REV. 00			
FILE NAME:							