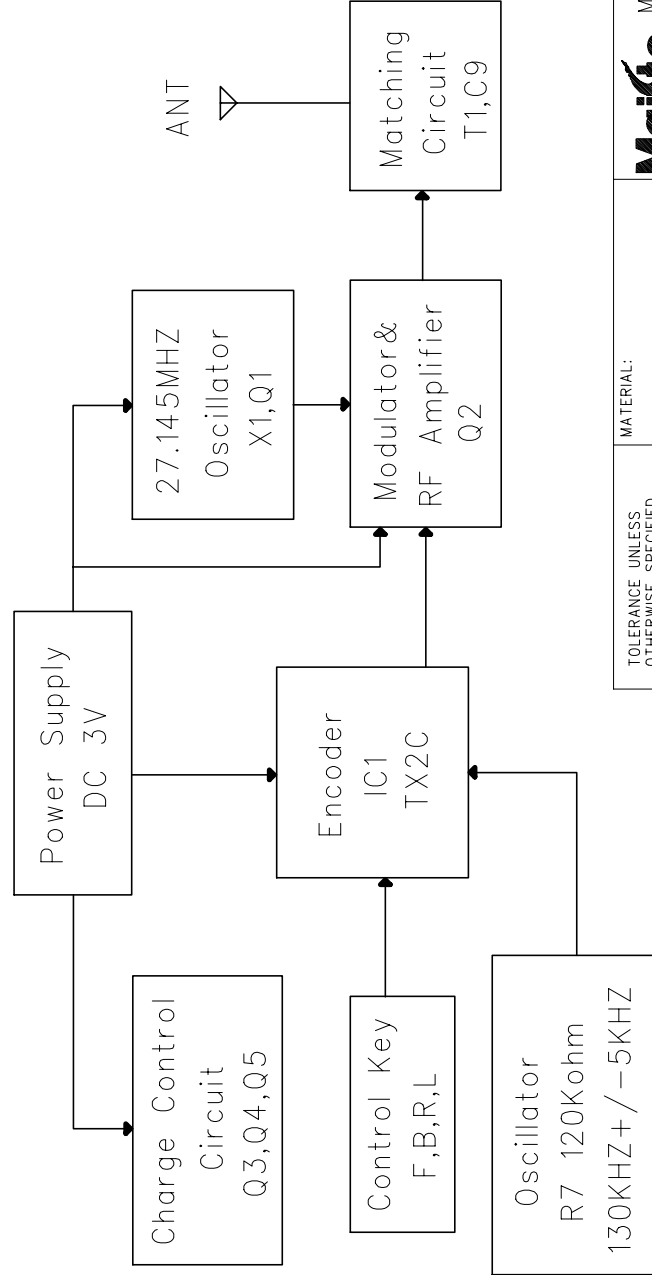


# Block Diagram



REV.	DESCRIPTION	BY	APPROVED	DATE
	INITIAL RELEASE			

TOLERANCE UNLESS OTHERWISE SPECIFIED		MATERIAL:	
X.X ± /	ANGLE ± /	Maisto <sup>®</sup> MAY CHEONG	
X.XX ± /	X/X ± /	TOY PRODUCTS FTY. LTD.	
X.XXX ± /		TITLE: Transmitter Block Diagram	
DIMENSIONS : MM		APPROVAL	DATE
SCALE:		DWN.:	PROJ. NAME: 07159
PROJECTION		CHK.:	PART NO.:
SIZE		APP.:	DRG. NAME:
A4		DO NOT SCALE DRAWING	
DO NOT SCALE DRAWING		SHEET : 1 OF 1	
FILE NAME:		4	