



# WARNING:

**CHOKING HAZARD - Small parts.**  
Not for children under 3 years.

## Maisto Radio Control Vehicles

The packaging and instruction manual contain important information. Please keep them for future reference.

### Contents:

- RC vehicle x 1
- RC transmitter x 1
- Instruction manual x 1
- Antenna tube x 1

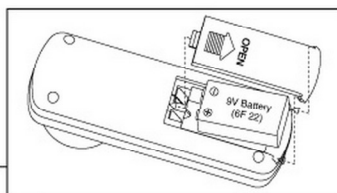
### Battery Requirement :

Vehicle : 4 x 1.5V "AA" / LR6 alkaline batteries.  
Transmitter : 1 x 9V (6F 22) battery.

### Battery and antenna installation:

#### For Transmitter:

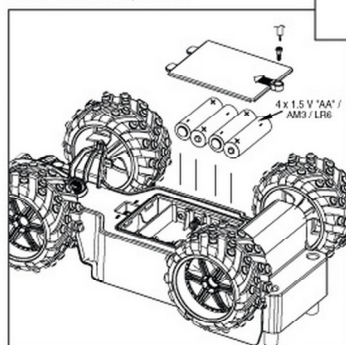
1. Switch the power OFF.
2. Open the battery cover.



3. Install a new 9V Battery with correct polarity (+/-) as shown inside the battery compartment.
4. Close the battery cover.

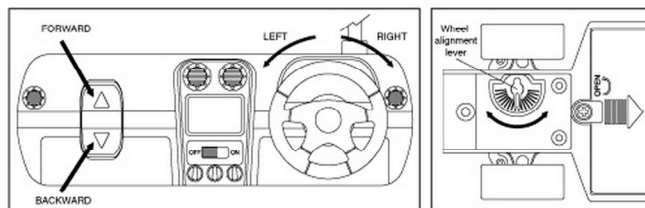
#### For Vehicle:

1. Switch the power OFF.
2. Open the battery cover using a screwdriver (not included).
3. Install 4 new AA 1.5V batteries with correct polarity (+/-) as shown inside the battery compartment.
4. Fasten the battery cover.
5. Insert the antenna wire into the antenna tube, then tie a knot.



### How to play :

1. Switch ON the transmitter.
2. Switch ON the vehicle.
3. Drive the vehicle forwards and backwards by pressing the FORWARD and BACKWARD buttons respectively.
4. Turn the transmitter steering wheel to move the vehicle left or right.
5. If the vehicle does not run in a straight line, adjust the wheel alignment lever on the vehicle chassis.
6. Remember to switch OFF the transmitter and vehicle power after playing.



### Performance Tips:

1. Do not drive on grass, dirt, sand, carpet or go through water.
2. Do not drive in windy or rainy weather.
3. Avoid direct impact with obstacles.
4. Switch off the vehicle and transmitter when not in use.
5. Keep fingers, hair and loose clothing away from the wheels.
6. The operating range can be affected by a variety of factors:
  - a) weak transmitter's or vehicle's batteries.
  - b) Interference from other items that emit radio frequency signals such as another R/C item on the same frequency, CB radios, cordless phones, high voltage transformers, etc.
7. Outdoor usage is recommended in order to get optimal control range(49 feet or 15 meters)

### Battery Use

1. Alkaline batteries are recommended to use.
2. Only batteries of the same or equivalent type as recommended are to be used.
3. Do not mix alkaline, standard or rechargeable batteries.
4. Do not mix old and new batteries or different type of batteries.
5. Non-rechargeable batteries are not to be charged.
6. If rechargeable batteries are used, they are only to be charged under adult supervision.
7. Rechargeable batteries are to be removed from the product before they are charged.
8. Be sure to insert batteries with the correct polarities and always follow the battery manufacturer's instructions.
9. Remove all batteries from the vehicle and transmitter when not in use.
10. Exhausted batteries are to be removed from the product.
11. The supply terminals are not to be short-circuited.
12. Dispose of batteries properly. Do not dispose the batteries in fire — it may cause them to explode or leak causing injury or damage.
13. Battery change must be only made by adults.

### Disposal of batteries

Batteries should not be disposed of in the household waste. As the consumer you are legally obliged to return batteries containing harmful substances and all other used batteries. You can hand in your old batteries at public collection points in your area or wherever batteries are sold.



You will find these chemical abbreviations along with a crossed-out refuse bin on batteries containing harmful substances:

- Pb = Battery contains lead
- Cd = Battery contains cadmium
- Hg = Battery contains mercury

### Cautions

1. Do not attempt to disassemble the products.
2. Do not operate the vehicle with same frequency with other players in same location that will interfere and make the vehicle out of control.
3. Make sure the batteries are installed with correct polarity (+/-) as shown inside the battery compartment.

### FCC Label Compliance Statement:

This device complies with part 15 of the FCC rules. Operation is subject to the following two conditions :

1. This device may not cause harmful interference, and
2. This device must accept any interference received, including interference that may cause undesired operation.

Note : This equipment has been tested and found to comply with the limits for a Class B digital device, pursuant to Part 15 of the FCC Rules. These limits are designed to provide reasonable protection against harmful interference in a residential installation. This equipment generates, uses and can radiate radio frequency energy and, if not installed and used in accordance with the instructions, may cause harmful interference to radio communications. However, there is no guarantee that interference will not occur in a particular installation. If this equipment does cause harmful interference to radio or television reception, which can be determined by turning the equipment off and on, the user is encouraged to try to correct the interference by one or more of the following measures:

- Reorient or relocate the receiving antenna.
- Increase the separation between the equipment and receiver.
- Connect the equipment into an outlet on a circuit different from that to which the receiver is needed.
- Consult the dealer or an experienced radio/TV technician for help.

The manufacturer is not responsible for any radio or TV interference caused by unauthorized modifications to this equipment. Such modifications could void the User's Authority to operate the equipment.

### Trouble Shooting

Problem	Cause	Correction
No Function	Low battery level Battery polarities are reversed  The wheels are obstructed by foreign objects	Replace with new batteries Insert the batteries with correct polarities as shown on the battery compartment  Remove foreign objects on the vehicle / wheels
Drive Slow / Poor Turning Signal	Low battery level The wheels are obstructed by foreign objects	Replace with new batteries Remove foreign objects on the vehicle / wheels
Poor distance control	Low battery level Strong interference of surroundings	Replace with new batteries Move to a better location for playing

### Warranty

All Maisto R/C vehicles have a 30 day limited warranty in function and performance. You may receive a new replacement vehicle if the defective vehicle is returned to Maisto freight prepaid and confirmed to be factory defective. We are not responsible for defects due to abusive use, or damaged for reasons other than factory defects. We also reserve the right to make the final judgment and decision. Check the FAQ section before you return the unit to Maisto.

### FAQ (Frequently Asked Questions)

#### 1) Why does my R/C vehicle not start?

- Make sure the transmitter and the vehicle are turned on.
- Check to make sure the batteries are not drained.
- Make sure the batteries are installed per polarity indicators.
- Make sure all 4 wheels are not obstructed by any foreign objects.

#### 2) Why does my R/C vehicle make unusual noises?

- Check to make sure the batteries are not drained.
- Check to make sure all 4 wheels are not obstructed by any foreign objects.

#### 3) What if I'm still having a problem?

- Check the FAQ and make sure all attempts have been made to make the unit work.
- Check your purchase receipt date and make sure it's within the 30 days warranty period at the time you intend to send it back.
- Contact Maisto (see below), and tell us the model that you have, the problem(s) you are having, your daytime phone number, and any other information that might be helpful to us to correct the problem.
- If Maisto cannot solve your problem by mail, email or telephone, we will issue a return authorization number so you can return the unit to us for repair or replacement. **No returns will be accepted without a return authorization (RA) number issued by Maisto clearly marked on the outside of the package.** Pack the unit back in its original box or another box with sufficient protective material, include a copy of your dated store receipt and a description of the problem then send it freight prepaid to the address which we will provide once you receive your RA number.

Website: [www.maisto.com](http://www.maisto.com)

Email: [rcsupport@maisto.com](mailto:rcsupport@maisto.com)

Phone: (909) 357-7988

8:30 a.m. - 5:00 p.m. / Monday-Friday / Pacific Time



[www.maisto.com](http://www.maisto.com)  
**MADE IN CHINA**