

# CFA-245W



## 2.4GHz Mesh A/P Omni Antenna

### Specifications:

- 2400-2500MHz
- Gain: 5dBi
- Length: 10 inches
- Weight: 4.5 oz
- -3dB Beam-width: 26 degrees
- Cross Polar Rejection: 15dB +
- Max Power: 50 watts
- Max wind survival: 150MPH +
- Wind Load: 4.9 sq in
- Connector: Integral N-male
- Radome: White UV stabilized fiberglass
- Mast mounting hardware optional



### NCG Company

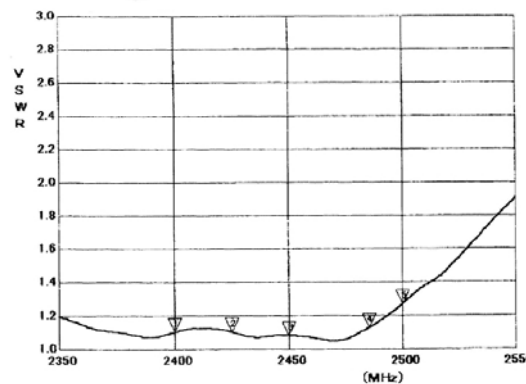
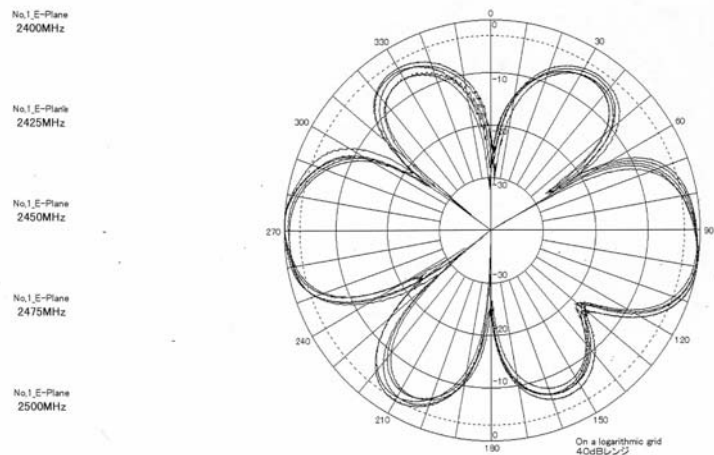
1275 N. Grove St.  
Anaheim, CA 92806-2114

Phone: 800.962.2611

Fax: 714.630.7024

Email: sales@natcommgroup.com

### Vertical radiation pattern



Marker List	
1: 2400MHz	1.105
2: 2425MHz	1.104
3: 2450MHz	1.082
4: 2485MHz	1.130
5: 2500MHz	1.271

**VSWR:**  
1.13:1 or less

### FEATURES:

- 802.11b and 802.11g compatible
- Designed for use as an A/P antenna in a Mesh Network System
- Male N-connector for easy installation
- Compact gain antenna for point-to-multipoint applications
- Heavy duty fiberglass for durability
- Weather proof for indoor or outdoor installation

### MOUNTING OPTION:

- **MB-100:** 1"-2.5" mast mount

Manufactured by: COMET Company Ltd.

