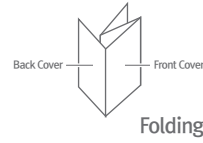


ONT QIG print specification

Color: Black
 Paper Material: White paper 150g
 Size: 105 x 148.5 mm (per 1 page)

Cutting line
 Folding line



4. Web Access

- You can access the unit through a web browser by using the following steps.
- 1 Connect LAN port of the unit to your PC using Ethernet cable.
 - 2 Configure IP assignment of your PC to DHCP (dynamic assignment).
 How to configure dynamic IP on your PC is as follows:

For Windows XP:

Start > Setting > Network Connections > Local Area Connection double click > Internet Protocol (TCP/IP) double click > Obtain an IP address automatically and Obtain DNS server address automatically selection > OK

For Windows 7:

Start > Control Panel > View network status and tasks under Network and Internet (View by: Category) > Change adapter settings on the left menu > Local Area Connection right-click > Properties > Internet Protocol Version 4 (TCP/IPv4) double click > Obtain an IP address automatically and Obtain DNS server address automatically selection > OK

The PC will be allocated IP address automatically through the unit.

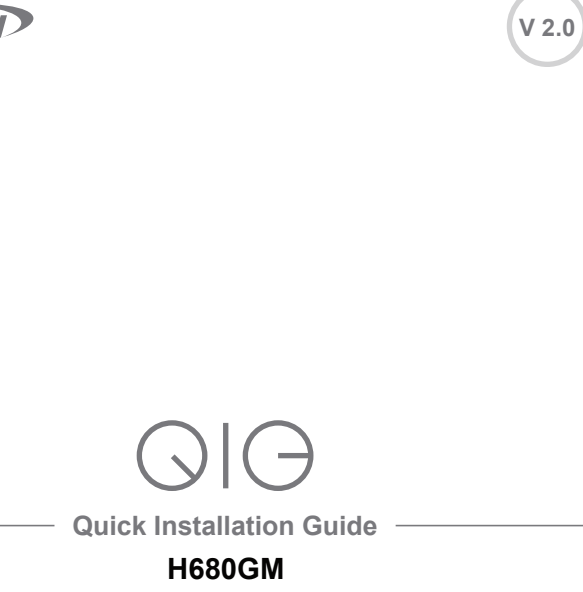
- 3 Open a web browser, and enter <http://192.168.1.1> in a URL field.
- 4 Type `admin/vertex25` in user name/password field, and log into the system. Initial page is displayed.

* For Web Access User/PW and WiFi SSID/WIFI PW, please check a label on the bottom panel of your unit.

* To change the SSID and/or password, move onto **Wi-Fi Setup > WiFi Settings** on the web. And change them and click **Save**.

Maximum wireless signal rate derived from IEEE standard 802.11 specifications. Actual data throughput and wireless coverage will vary. Network conditions and environmental factors, including volume of network traffic, building materials and construction, and network overhead, lower actual data throughput rate and wireless coverage.

DASAN Zhone Solutions
 DASAN Tower, 49, Daewangpangyo-ro 644 Beon-gil, Bundang-gu, Seongnam-si, Gyeonggi-do, 463-400 KOREA



1. Caution

Please follow the instructions below to avoid physical injury. You should not install the unit during a storm. Likewise you should not connect or disconnect any line to avoid the risk of electric shock.

Caution & Warning

- This unit is indoor use only
- All the communication wirings are limited to inside of the building.
- DO NOT plug in, turn on or attempt to operate an obviously damaged unit.
- Never look directly at the fiber TX port and fiber cable ends when they are powered on.
- DO NOT use near water.
- DO NOT place near high temperature source.
- DO NOT disassemble the unit.
- DO NOT operate the unit in a location where the maximum ambient temperature exceeds 45°C.
- Open optical connections must use a protective cap under all circumstances to protect against physical damage and dirt.
- Before making connections, use isopropyl alcohol and non-fibrous cellulose to clean the faces of the connectors.
- Avoid impact stresses when handling connectors. Physical damage to the faces of optical connections impairs transmission quality (higher attenuation).
- Avoid a bend radius in excess of 30 mm for fiber optic links.
- Check the available voltage supply.
- Only use the unit in dry rooms.
- Set up the unit away from direct sunlight or other electrical equipment.
- Only connect approved accessories.
- It may only be repaired by authorized service personnel.
- This equipment is not suitable for use in locations where children are likely to be present.

Limited Warranty

- Not covered under this warranty is defect and damage resulting from product disassembly by yourself. And also, such behavior may amount to intellectual property infringement.

Information furnished by DASAN Network Solutions is believed to be accurate and reliable. However, no responsibility is assumed by DASAN Network Solutions for its use, nor for any infringements of patents or other rights of third parties which may result from its use. No license is granted by implication or otherwise under any patent or patent rights of DASAN Network Solutions. DASAN Network Solutions reserves the rights to change specifications at any time without notice.

2. Introduction

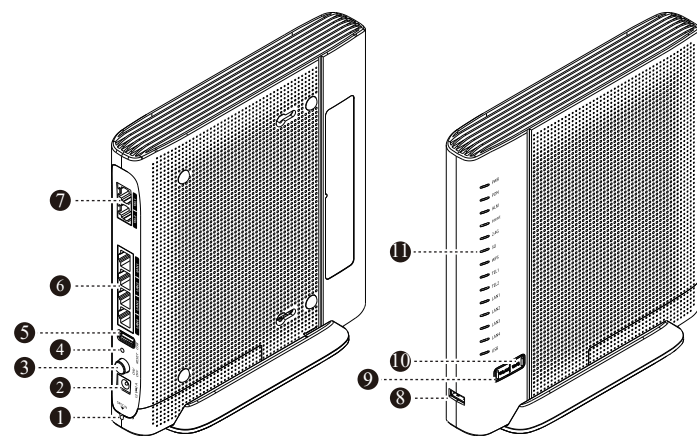
2.1 Package Contents

- H680GM - Power Adapter - RJ45 UTP Cable - QIG (Quick Guide)

2.2 Specification

Item	Specification
SDRAM	256MB
Flash Memory	128MB
Uplink Interface	1 GPON port (SC/APC)
Service Interface	4 10/100/1000Base-TX ports (RJ45)
USB	1 USB 2.0 and 1 USB 3.0
Wireless	Internal antenna IEEE 802.11a/b/g/n/ac compliant Frequency: 2.4GHz, 5GHz 2G band Three Transmit and Three Receive path(3T3R) 5G band Four Transmit and Four Receive path(4T4R) 2.4GHz 802.11b : 16 dBm ± 1 dB 802.11g : 15 dBm ± 1 dB 802.11n_HT2040 : 16 dBm ± 1 dB 5GHz 802.11a : 17 dBm ± 1 dB 802.11nHT20 : 14 dBm ± 1 dB 802.11n_HT2040 : 15 dBm ± 1 dB 802.11ac_VHT2040/80 : 15 dBm ± 1 dB
Power Adapter	Output: 12VDC/2A
Operating Temp.	0 to 45°C (32 to 113°F)
Operating Humidity	0 to 90% (non-condensing)
Dimensions	214.0 x 201.5mm x 33.0mm

2.3 Rear View



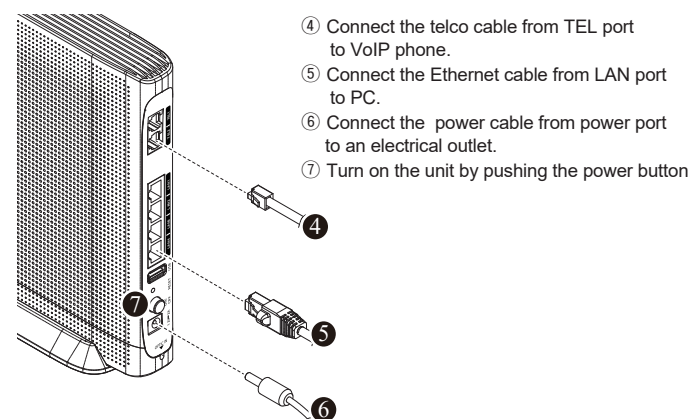
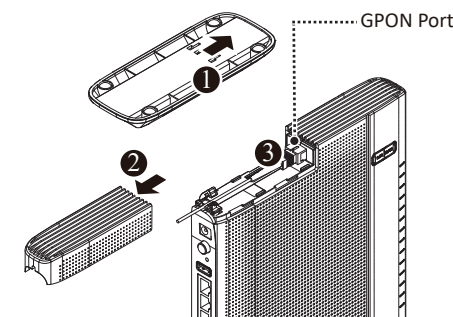
Item	Description
① OPTIC LINE	Connect optical network.
② Power port	Connect an external power supply.
③ ON/OFF button	Turn on/off the unit.
④ RESET button	Reboot the unit.
⑤ USB	Connect an external 2.0 USB drive.
⑥ LAN 1-4	Connect to PC or LAN. 4 10/100/1000Base-TX interfaces
⑦ TEL 1-2	Connect to VoIP phone.
⑧ USB	Connect an external 3.0 USB drive.
⑨ WLAN	Enable Wi-Fi function.
⑩ WPS	Enable WPS process.
⑪ Operation LEDs	Operating status LEDs.

2.4 Front View (LED)

Label	Light Status	Description
PWR	Green On	The device is receiving power and working properly.
	Off	The device does not receive power.
PON	Green On	The device is linked successfully for optical layer.
	Blinking	The device is initializing to an optical network.
	Off	The optical link is down.
ALM	Red On	No optic signal, firmware update failure or other faults.
	Off	Received optical power is normal.
Internet	Green On	In service.
	Off	Not in service.
2.4/5G	Green On	The device has successful WLAN function.
	Blinking	The device is receiving or sending data.
	Off	The WLAN is disabled.
WPS	Green On	WPS connection successfully established.
	Blinking	WPS in progress.
TEL 1-2	Green On	Hook off.
	Off	Hook on.
LAN 1-4	Green On	The device has successful 10/100/1000Mbps connections.
	Blinking	The device is sending or receiving data.
	Off	The link is down.
USB	Green On	USB is connected and working normally.
	Blinking	Data is being transmitted.
	Off	USB is not connected or power is not fed.

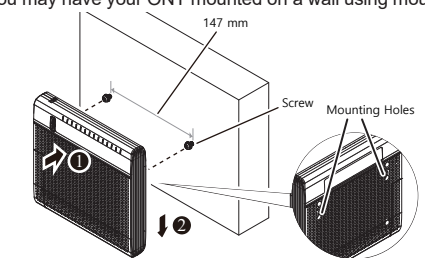
3. Installation

- 1 Flip the device upside down, and slide the stand toward the right and remove it.
- 2 Pull out the protective cap of GPON port.
- 3 Connect an SC/APC connector optic cable to the GPON port.
 And, attach the protective cap and slide the stand onto the device.



Mounting on a Wall

If necessary, you may have your ONT mounted on a wall using mounting holes.



FCC Compliance Statement

This device complies with Part 15 of the FCC Rules.
 Operation is subject to the following two conditions: (1) this device may not cause harmful interference, and (2) this device must accept any interference received, including interference that may cause undesired operation.
 CAUTION : Any Changes or modifications not expressly approved by the manufacturer could void the user's authority to operate the equipment. This equipment has been tested and found to comply with the limits for a Class B digital device, pursuant to part 15 of the FCC Rules. These limits are designed to provide reasonable protection against harmful interference in a residential installation. This equipment generates, uses and can radiate radio frequency energy and, if not installed and used in accordance with the instructions, may cause harmful interference to radio communications. However, there is no guarantee that interference will not occur in a particular installation. If this equipment does cause harmful interference to radio or television reception, which can be determined by turning the equipment off and on, the user is encouraged to try to correct the interference by one or more of the following measures:
 • Reorient or relocate the receiving antenna.
 • Increase the separation between the equipment and receiver.
 • Connect the equipment into an outlet on a circuit different from that to which the receiver is connected.
 • Consult the dealer or an experienced radio/TV technician for help.
 A minimum separation distance of 20 cm must be maintained between the antenna and the person for this appliance to satisfy the RF exposure requirements.

Enonce d'Industrie Canada(IC)
 Le present appareil est conforme aux CNR d'Industrie Canada applicables aux appareils radio exempts de licence. L'exploitation est autorisee aux deux conditions suivantes : (1) l'appareil ne doit pas produire de brouillage, et (2) l'utilisateur de l'appareil doit accepter tout brouillage radioelectrique subi, meme si le brouillage est susceptible d'en compromettre le fonctionnement.
 Tout changement ou modification non expressement approuve par la partie chargee de la mise en conformite peut annuler le droit de l'utilisateur a utiliser l'equipement.
 Une distance de separation minimale de 20 cm doit etre maintenue entre l'antenne et la personne pour que cet appareil satisfasse aux exigences d'exposition aux RF
 IC: 3691A-H680GM