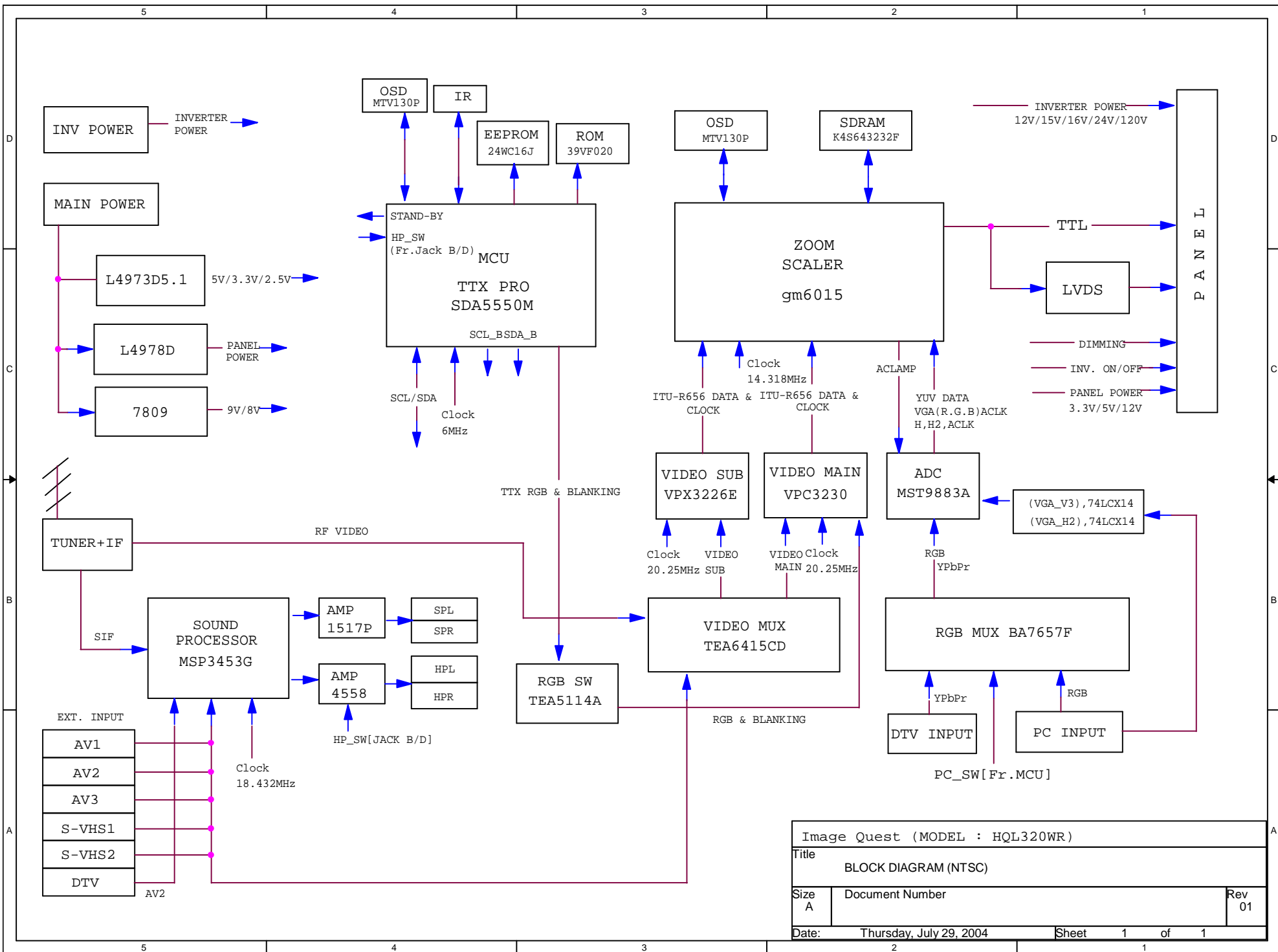


## **ATTACHMENT C.**

### **- BLOCK DIAGRAM -**



|                                |                         |              |
|--------------------------------|-------------------------|--------------|
| Image Quest (MODEL : HQL320WR) |                         |              |
| Title<br>BLOCK DIAGRAM (NTSC)  |                         |              |
| Size<br>A                      | Document Number         | Rev<br>01    |
| Date:                          | Thursday, July 29, 2004 | Sheet 1 of 1 |