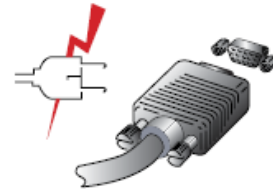


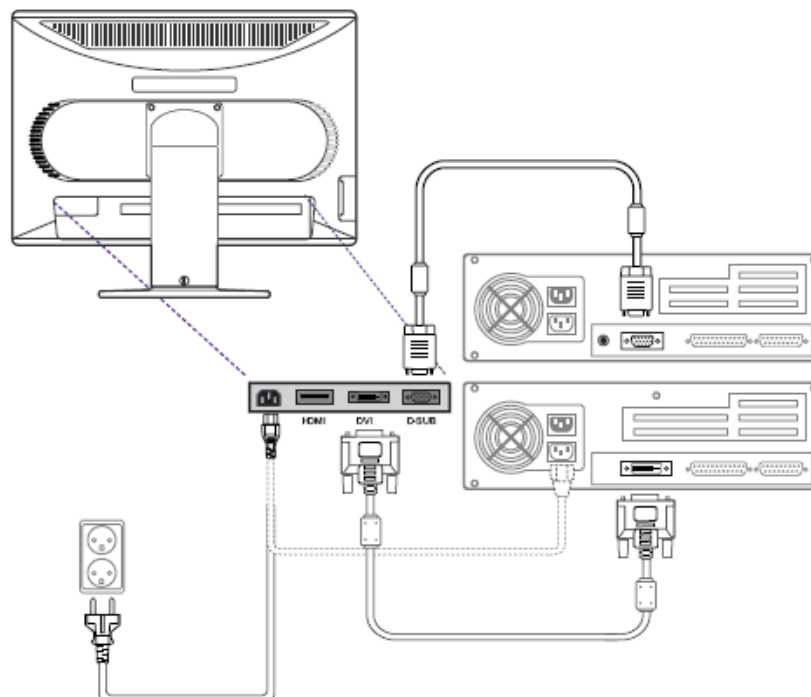
- Place the monitor at least 30cm from other electrical or heat-emitting equipment and allow at least 10cm on each side for ventilation.
- Place the monitor in a position where no light shines directly onto or is reflected on the screen.
- To reduce eye strain, avoid installing the display unit against a bright background such as a window.
- Position the monitor so that the top of the screen is no higher than eye level.
- Position the monitor directly in front of you at a comfortable reading distance (around 45 to 90cm)

! Before you start cabling your monitor, check that the power is off on all units. To avoid any possibility of electric shock, always connect your equipment to properly earthed outlets.

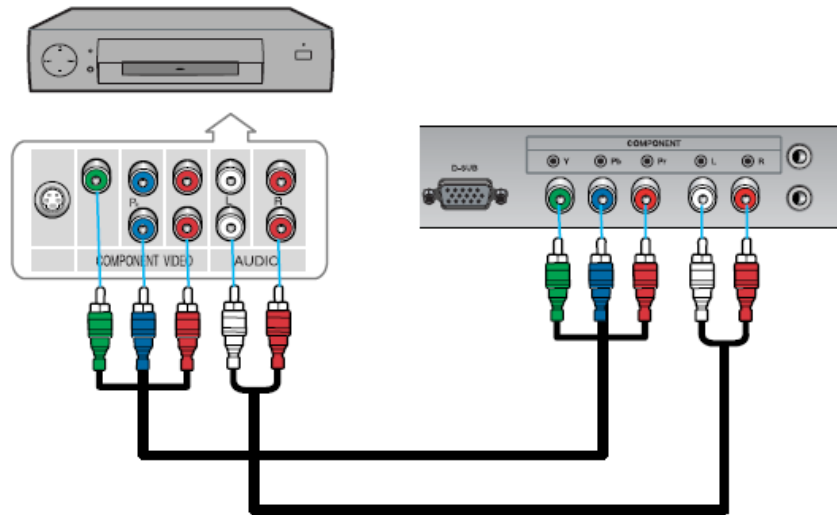


1. Insert the other 15-pin/DVI-D/HDMI signal cable connector into the 15-pin VGA/DVI-D connection on your computer and screw it down.
2. Plug the power cord connection to connection on the monitor.
3. Plug the other end of the power cord to your computer's main supply or to a 100V-240V earthed electrical outlet.
4. Turn on the monitor using the power switch and check that the power LED is on. If not, repeat steps 1,2,3 and 4 or refer to the Troubleshooting section of this guide.

Turn on the power to the computer. The picture will appear within about 10 seconds. Adjust the picture to obtain optimum picture quality. See section Adjusting the picture in this guide for more information.



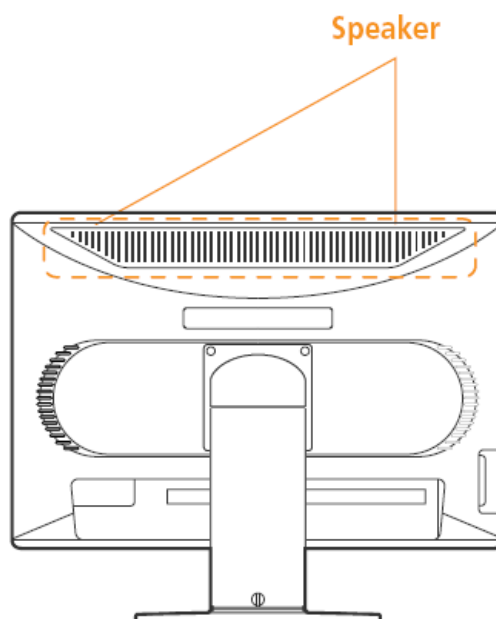
- Connect component cable (Y, Pb, Pr) between output terminal (Y, Pb, Pr) of DVD player and the input terminal (Y, Pb, Pr) of DVD on the rear of W240D.
(Connect cable and terminal in the same color)
- Connect Audio cable between Audio output terminal of DVD player and Audio input terminal for DVD Audio on the rear of W240D.
(Connect cable and terminal in the same color)



Output terminal mark (Y, Pb, and Pr) of DVD player may be written as Y, B-Y, R-Y/Y-Cb-Cr / Y-Pb-Pr.(it depends on DVD player)

This monitor has an audio system including two micro loudspeakers. Each of two micro loudspeakers has an 3W(max.) output power. This system also supports a headphone output jack.

! This system has been tuned to get a best tone quality which an audio input level is under 500mv rms. If the input level is more than 500mv rms, you must tune down the audio input as the audio output tone may be distorted.



Follow the instructions below to set your refresh rate in Windows 98/ME/XP/2000.

1. Go to the configuration window(Start-Settings-Configuration window).
2. Double click on the 'Display' icon.
3. Click on the 'Settings' tab.
4. Click on the 'Advanced' button.
5. Click on 'Adapter' and select 60Hz from the list.
6. Click on 'Apply' to accept the selected value.

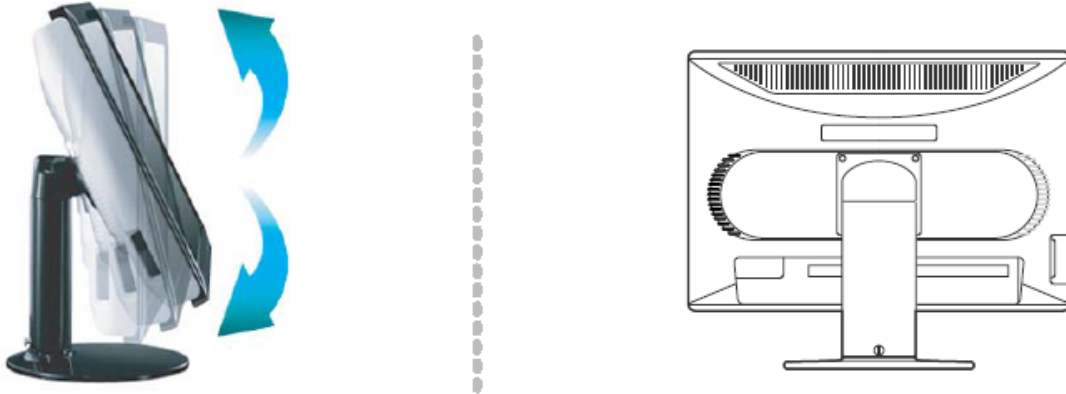


! If the signal from the system doesn't equal to the preset timing mode, adjust the mode with reference to the user guide of videocard because the screen may not be displayed.

No.	Resolution	H-Freq.(kHz)	V-Freq.(MHz)	Supported Mode	
				Analog	DVI
1	640 X 350	31.4	70.0	•	
2	720 X 400	31.4	70.0	•	
3	640 X 480	31.4	59.9	•	•
4	640 X 480	37.5	75.0	•	
5	800 X 600	35.1	56.2	•	
6	800 X 600	37.8	60.3	•	•
7	800 X 600	46.8	75.0	•	
8	832 X 624	49.7	74.5	•	
9	1024 X 768	48.3	60.0	•	•
10	1024 X 768	56.4	70.0	•	
11	1024 X 768	60.0	75.0	•	
12	1152 X 864	67.5	75.0	•	
13	1152 X 870	68.6	75.0	•	
14	1280 X 960	60.0	60.0	•	•
15	1280 X 1024	63.9	60.0	•	•
16	1280 X 1024	79.9	75.0	•	
17	1680 X 1050	64.7	60.0	•	•
18	1600 X 1200	75.0	60.0	•	•
19	1920 X 1200	84.0	59.9	•	•
20	720 X 480p,576p	31.5	60/50		
21	1280 X 720p	45.0	60	Video Mode	
22	1920 X 1080i	33.7	30	Video Mode	

Recommended Ergonomic User's Environment

- Viewing angle of the monitor should be between -3~17 degree.



- This display unit supports a Kensington-type security device to secure your monitor. Kensington lock is not included.
- To purchase and install the Kensington locking device, please refer to the following contact information.

*** Kensington Technology Group**

· Address : 2000 Alameda de las Pulgas 2F san mateo, California 94403-1289

· Tel : +1 650 572 2700 · Fax : +1 650 572 9675 · Web-site : www.kensington.com

- This display unit supports VESA FPMPI standard for 75mmx75mm screw mounting by giving 4 screw holes inside the base stand of the unit.
- For buying VESA Flat Panel Monitor Mounting Devices, please contact following information.

*** Ergotron, Inc.**

· Address : Ergotron Europe Kuiperbergweg 50 1101 AG Amsterdam The Netherlands

· Tel : +3 1 20 696 60 65 · Fax : +3 1 20 609 04 59 · E-mail : info.eu@ergotron.com

