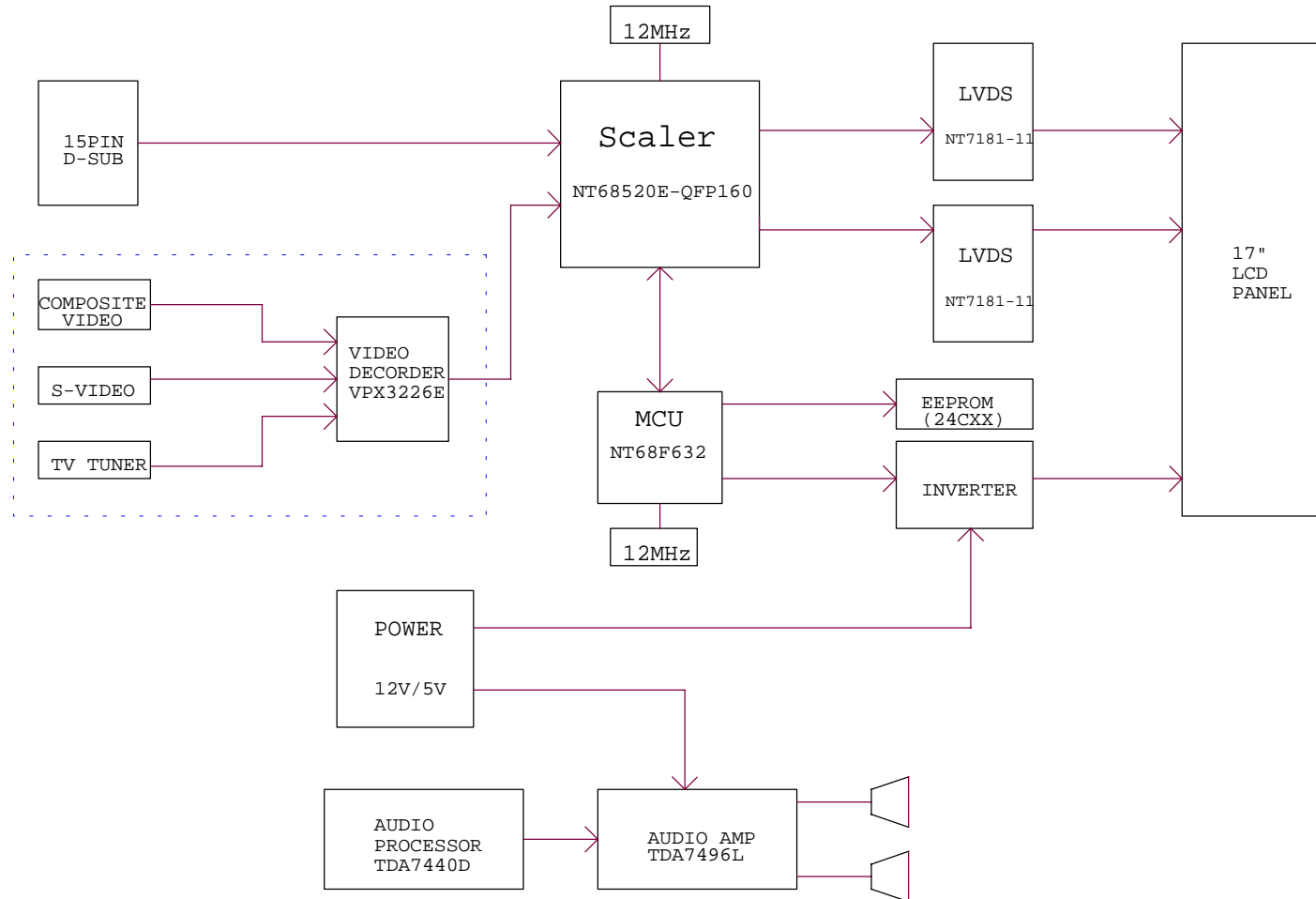


## **ATTACHMENT C.**

### **- BLOCK DIAGRAM -**

# L17T BLOCK DIAGRAM



<b>IMAGEQUEST</b>			
<b>L17T</b>			
Size	Document Number	Rev	VP2
<b>Block Diagram</b>			
Date:	Wednesday, May 21, 2003	Sheet	7 of 7