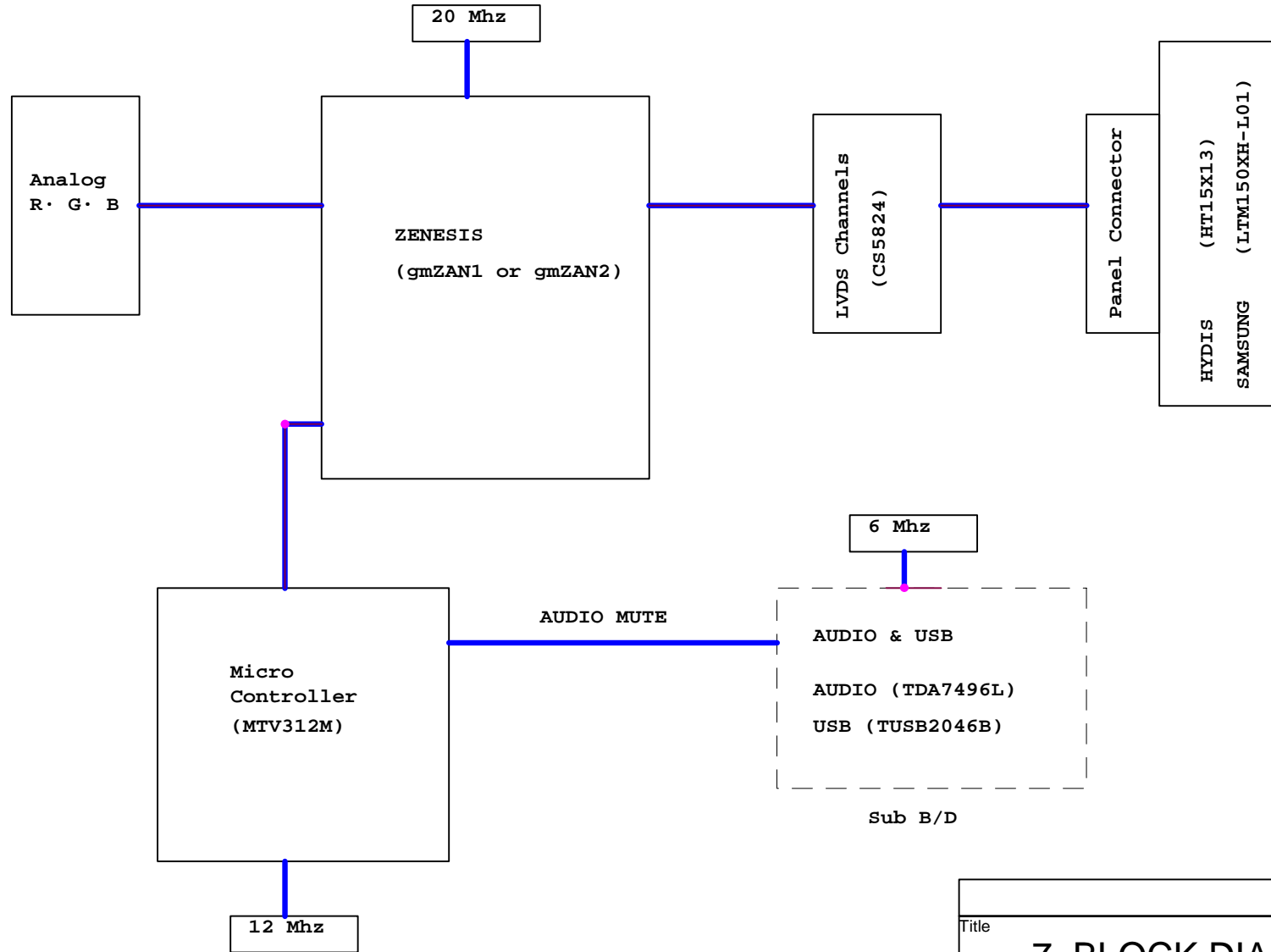


BLOCK DIAGRAM

MODEL NAME : L50C(S527B/L550B/L1510B)



Title

7. BLOCK DIAGRAM

Size
A

Document Number
<Doc>

Rev
B

Date: Friday, January 04, 2002

Sheet 7 of 7