

## **ATTACHMENT E -1.**

### **- USER'S MANUAL -**

**HYUNDAI**  
HYUNDAI IMAGEQUEST

# Hyundai Plasma Display

HQP421SR/421HR/501HR

## User's Guide



# FCC Information

## User Instructions

The Federal Communications Commission Radio Frequency Interference Statement includes the following warning :

**NOTE :** This equipment has been tested and found to comply with the limits for a Class B digital device pursuant to Part 15 of the FCC Rules.

These limits are designed to provide reasonable protection against harmful interference in a residential installation. This equipment generates, uses, and can radiate radio frequency energy and, if not installed and used in accordance with the instructions, may cause harmful interference to radio communications. However, there is no guarantee that interference will not occur in a particular installation.

If this equipment does cause harmful interference to radio or television receptions, which can be determined by turning the equipment off and on, the user is encouraged to try to correct the interference by one or more of the following measures :

- Reorient or relocate the receiving antenna.
- Increase the separation between the equipment and receiver.
- Connect the equipment into an outlet on a circuit different from that to which the receiver is connected.
- Consult the dealer or an experienced radio/TV technician for assistance.

## User Information

Changes or modifications not expressly approved by the party responsible for compliance could void the user's authority to operate the equipment.

Connecting of peripherals requires the use of grounded shielded signal cables.

DECLARATION OF CONFORMITY

WE HYUNDAI ImageQuest CO., LTD.  
Ami-ri Bubal-Eub Ichon-Si Kyungki-Do  
467-860 KOREA

declare under our sole responsibility that the product:

Kind of equipment : PDP TV

Type-Designation : PT42AS000 / PT42AH000 / HQP50AH000

to which this declaration relates is in conformity with the following standard(s) or other normative document(s)

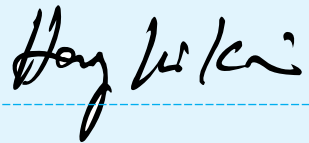
Safety : EN 60950 : 2000  
EMC : EN 55022 : 1998+A1 : 2000 Class B  
EN 55024 : 1998+A1 : 2001  
EN 61000-3-2 : 2000, EN 61000-3-3 : 1995+A1 : 2001

following the provisions of the Low Voltage Directive 73/23/EEC, 93/68/EEC and the EMC Directive 89/336/EEC.

Accredited testlaboratory:  
TÜV Rheinland  
Am Grauen Stein  
51105 Köln

KOREA /MAY. 15, 2004  
*Place and date of issue*

HONG KI, KIM  
*(Name and signature of authorized person)*



# Important Tips

## Image Retention effect(Image Sticking) —

### 1. Cause :

- Image Retention Effect could be come from displaying a still picture in certain period of time with at a certain area continuously, as the feature of Plasma Display Panel.
- This is the same matters to other companies' PDP products, too.

### 2. Prevention :

- To avoid this matter, use the product after reducing brightness and contrast, especially a still image is displaying for a long time. *(Example : Contrast 50, Brightness 50 - See the page 36)*  
Once Image retention occurs, change the mode into Video mode which displays more motion pictures. It will help reduce this matter, but cannot completely eliminate once it occurs. It makes the screen's brightness worse as displaying a fixed pattern often.
- Use the fuction, Pixel Shift in still image, in our PDP products.  
*(For more details, see the below page 65)*

### 3. Solution :

- The temporary image sticking would decrease with displaying Full-White pattern after 10 hours.
- The permanent image sticking couldn't take off under the latest technology even though being in its manufacturer.

### 4. Notice :

- It is very important to notify every buyer/customer this information and All Branches/Buyers /Customers should be fully aware of this.
- Image Sticking in PDP products couldn't get the support from a manufacturer, and does not come under the warranty.

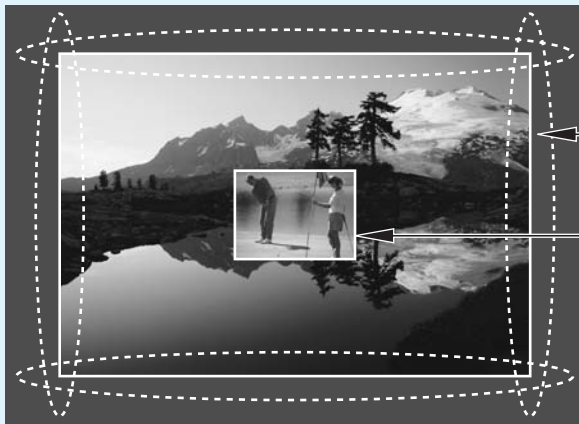
## Second Tips —

### • Pixel Defect :

Plasma Display Panel(PDP) is made of a group of refined pixels (cells). The Panel, in which 99.9% of pixels have approved, is a normal product. Therefore, only a few of abnormal pixels may appear, however, this has no influence upon PDP performance.

## Image Sticking Precaution

### Still Image/Panorama/Wide/4:3 in motion Image —



Panorama, Wide, 4:3 aspect ratio

Box or Still image

- **Precaution :**

- Image Sticking could be come from Still Image and Boundary line for a long time display and Brightness gap in Boundary.
- This Matter(Image Sticking) is same thing under the other PDP's Company.
- Still Image/Letter in watching TV also will be effect to Image sticking.
- \*This matter(Image Sticking) is out of warranty.

# Features

## A Wide Array of Screen Settings

You can choose different screen settings depending on the type of program you are watching or the surrounding conditions (the lighting or the outside weather conditions).

You can switch among Sport, Movie, Music and Normal options or you can configure the screen settings for yourself.

## A Wide Array of Sound Settings

You can choose an optimal sound setting for the type of program you are watching.

You can switch among Music, Movie, News and Normal options or you can configure the settings for yourself.

## SRS WOW(Surround) Audio Function

You can listen to dynamic and surround sound only with ordinary speakers.

## Two Tuner Built-In

You can watch two channels at the same time and changing each channel.

## PIP Viewing

You can watch TV or Text information at the same time while working on PC or watching VCR/DVD movies.

## Various of the Aspect Ratio

You can adjust aspect Ratio as you want.

## Auto On/Off Function

This function allows you to turn On/Off your PDP TV at the preset Time.

If there is no signal during a specific time period, power will be off.

## Auto Detection Sound Format

When watching TV in Stereo/SAP mode, this function automatically detects transmission signaling to display broadcasting status on the OSD.

## Table of Contents

### General Information

Important Tips .....	3
Image Sticking Precaution .....	4
Safety Precaution .....	5
Contents of the Package .....	11
Separately Sold Products .....	11
Parts Names and Functions .....	13
Remote Control .....	15
How To Use Speakers (Standing Type) .....	17
How To Use Speakers (Desk Type) .....	18
How To Install Wall Hanger Support .....	19
How To Install Wall mount frame .....	20
How To Install Wall Hanger Support .....	21

### Connections

Connecting VHF and UHF Antenna.....	23
Connecting Cable TV .....	23
Before connecting the video/audio connections to external devices .....	25
Connecting a VCR, Cable/Satellite Receiver .....	26
Connecting a DVD Player .....	27
Connecting a DTV(Digital Broadcast) Receiver .....	28
Playing Back a Tape Recorded On a Camcorder .....	29
Connecting to a PC(DVI, D-SUB) .....	30
Resolutions Supported in PC .....	31
Scart Connection to the External Input .....	32

### Picture Setup

How to Select the Picture Mode .....	35
How to Set the Desired Picture .....	36
How to Set Blue Screen .....	37
How to Set Film Mode .....	38
How to Select a Color Temperature .....	39
How to Set PIP [Mode] .....	40
How to Set Multi-Screen [Input Source/Position/Size] .....	41
How to Set Noise Reduction .....	44
Supported PIP Table .....	45

### Sound Setup

How to Select the Audio Mode .....	47
How to Set the Desired Audio .....	48
How to Select AVL .....	49
How to Select SRS WOW(Surround) .....	50
How to Select MTS(Multi-Channel Sound) .....	51
How to Set the Output of Subwoofer .....	52

### Channel Setup

Memorizing the Channels .....	55
Fine Tuning Channel Reception .....	56
Storing Channels Manually .....	57
Using the LNA(Low-Noise-Amplifier) Feature .....	58

### Function Setup

How to Select the Aspect Ratio .....	61
Displaying Information .....	63
How to Set Key-Lock .....	64
Using the Pixel Shift / Full White / Wiper Function .....	65
How to Freeze Picture .....	66
How to Set DPMS .....	67
Choosing the Your Languages .....	68
How to Set Image Adjust in PC Mode .....	69
Viewing Closed Captions .....	71
Using the V-Chip .....	73

### Clock Setup

How to Set Clock .....	77
How to Set On Time .....	78
How to Set Off Time .....	80
How to Set Sleep Time .....	82

### Appendix

Glossary .....	91
Troubleshooting .....	93
Care and Cleaning .....	95
Product Specifications .....	96



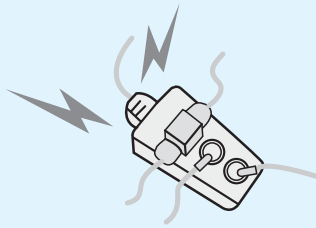


## Safety Precaution

The contents of this section are provided for the safety of users and their property. Please read the instructions carefully before using.



### WARNING



**Do not connect multiple electrical appliances to a single outlet.**

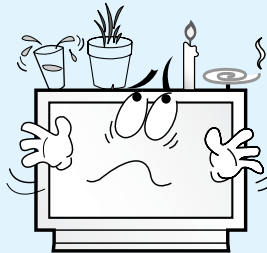
- It may cause a fire due to overheating from the outlet.

If there is a persistent accumulation of dusts or water on the plug, please make sure to wipe it off using a dry cloth.

- It may cause a fire or an electric shock.



### WARNING

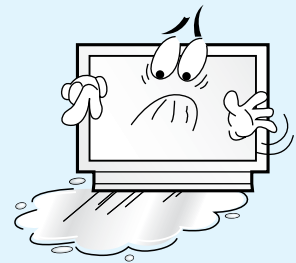


**Do not put a water bowl, filled with liquids such as vases, candle, bug repellent smoke, cigarette, plants, or heavy thing on the PDP.**




- It may cause electric shock or fire and also heavy things may cause injury when they fall.

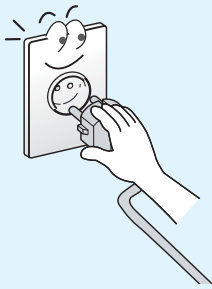
**Do not install in a place where there is oil, smoke, excessive humidity, or where water may be sprinkled, dripped, splashed on it.**

- This may cause electric shock or fire.



Safety instructions are divided into "Warning" and "Alert". Their meanings are as follows.

-  This icon is intended to alert the user to the presence of potential danger and important operating instructions.
-  **WARNING** : When there is a possibility of serious injury or death if not observed.
-  **ALERT** : When there is a possibility of slight injury or product damage if not observed.

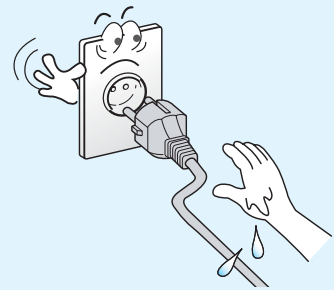
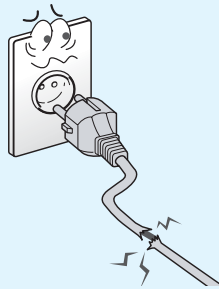


**Firmly plug in the power cord so that it does not pull out.**

- An unstable connection may cause fire.

**Do not use a damaged power cord or plug, or loose outlet.**

- They may cause electric shock or fire.



**Never touch the power plug or outlet with wet hands.**

- This may cause electric shock.

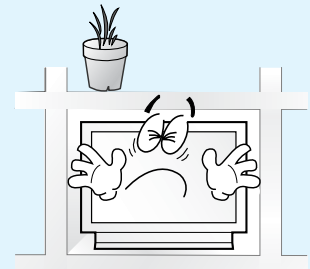
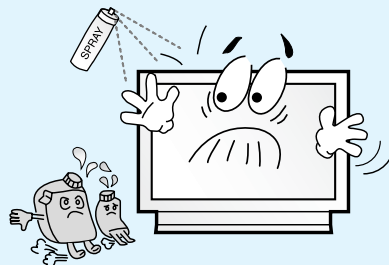


**Do not install on an unstable place or small support.**

- This may cause the PDP to fall, resulting in serious injury to a child or adult.

**Do not use or store a flammable spray or inflammable things near the PDP.**

- They may cause explosion or fire.



**Do not install the PDP in a bookshelf, closet, or a place where there is poor air circulation.**

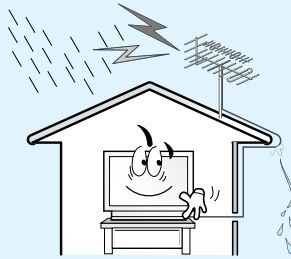
- Fire may be caused due to the rise of internal temperature.



# Safety Precaution .....Continued from previous page

The contents of this section are provided for the safety of users and their property. Please read the instructions carefully before using.

## WARNING



Make the antenna cable loop at the entrance of the building Any necessary action such as making the antenna cable loop at the entrance of the building should be taken to prevent rainwater on the outdoor antenna cable from possibly running into the indoor.  
- If raindrop gets into the PDP, it may cause a fire or an electric shock.

Never attempt to open, fix, or modify the PDP.

- When there is a need for fixing, call a service center. Fire or electric shock may be caused.



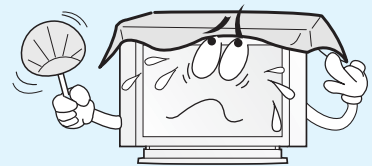
## WARNING



Any heat sources such as radiators and heat registers, etc. on or near the PDP.  
- It may cause a fire.

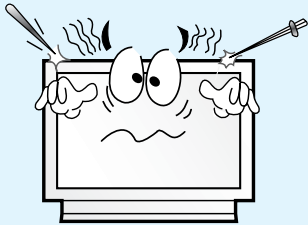
Do not block ventilating slits.

- Blocking the ventilation slits prevents inner heat from escaping, which may lead to a fire.



Safety instructions are divided into “Warning” and “Alert”. Their meanings are as follows.

- ⚠ This icon is intended to alert the user to the presence of potential danger and important operating instructions.
- ⚠ **WARNING** : When there is a possibility of serious injury or death if not observed.
- ⚠ **ALERT** : When there is a possibility of slight injury or product damage if not observed.

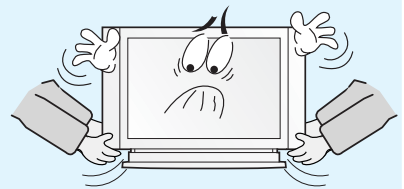
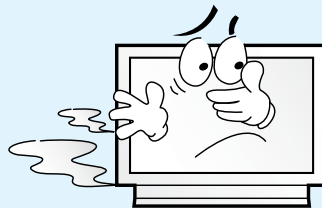


Do not put a metallic object like chopstick, wire, or puncher or inflammables like paper or a match in a vent, headphone jack, or AV jacks of the PDP.

- Electric shock or fire may be caused.

When the PDP produces abnormal noise, burning smell, or smoke, unplug the PDP immediately and call a service center.

- Electric shock or fire may be caused.



When moving the PDP assembled with speakers, make sure to detach the speakers from it.

- If you carry the product holding the speakers, it may cause the product to fall, causing serious injury or damage.

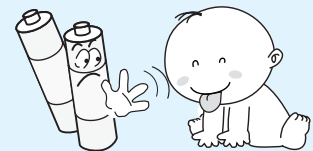
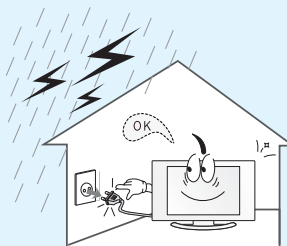


Do not install the product on the floor.

- If it falls over, your child may be injured.

Unplug the product during lightning or thunderstorms and never touch the antenna cable.

- It may cause a fire or an electric shock.



Keep the remote control batteries out of sight and out reach of children.

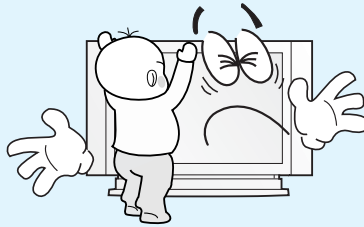
- If your child swallows a battery, see your doctor immediately.



## Safety Precaution .....Continued from previous page

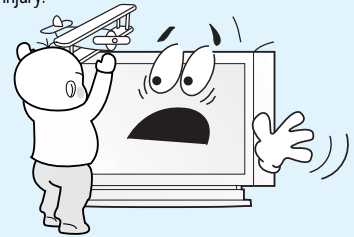
The contents of this section are provided for the safety of users and their property.  
Please read the instructions carefully before using.

### WARNING

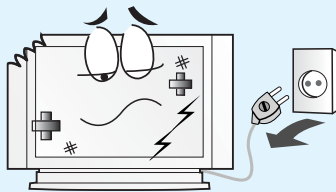


**Do not allow children to climb or play on the PDP.**  
- If it falls over on children, it may cause serious injury.

Do not place toys and cookies, etc. on the PDP, which may attract children's attention. Children will climb on the PDP to reach whatever they have their eyes on.  
- If it falls over on children, it may cause serious injury.

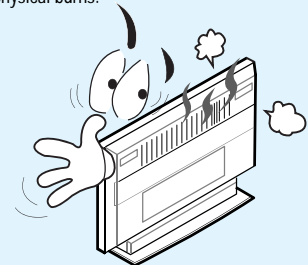


### ALERT



**In the event of damaging or dropping the product, switch off the power and remove the plug.**  
- Using a damaged product may cause an electric shock or a fire.  
- Contact your local service center.

**Please avoid touching the panel at the rear of LCD TV as it is producing high temperature.**  
- Direct contact with the hot surface may cause physical burns.



Safety instructions are divided into “Warning” and “Alert”. Their meanings are as follows.

- ⚠ This icon is intended to alert the user to the presence of potential danger and important operating instructions.
- ⚠ **WARNING** : When there is a possibility of serious injury or death if not observed.
- ⚠ **ALERT** : When there is a possibility of slight injury or product damage if not observed.

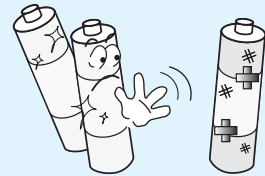
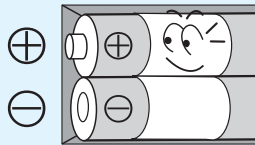


**When cleaning the PDP, make sure to disconnect the power plug and use a dry, soft cloth for a cleanup.**

- Please avoid using chemicals such as wax, benzene, alcohol, thinner, mosquito spray, air freshener, lubricant or synthetic detergent.

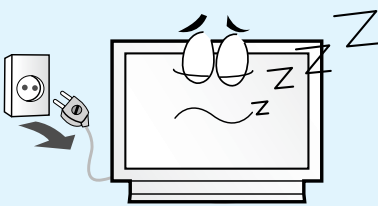
**When replacing batteries, make sure to match the batteries to the (+) and (-) marks in the battery compartment.**

- Mismatching of polarities may result in internal damage to batteries, fire due to leakage or contamination.



**Always use the standard batteries and avoid using old batteries together with new ones.**

- Otherwise it may result in internal damage to batteries, fire due to leakage or contamination.

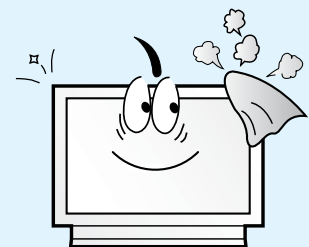
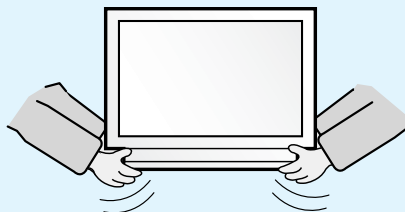


**Unplug when you do not use your PDP for a long time.**

- If dust is stacked on the PDP, electric shock or fire may be caused from heat, fire, or deterioration of insulation.

**When moving the PDP, 2 or more people are advised to carry it.**

- Injury or damage may be caused when the PDP falls.



**Consult a service center or customer service for inside cleaning about once a year.**

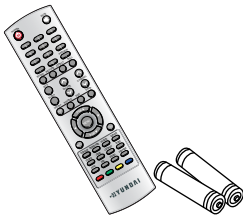
- When dust is piled inside the PDP for long time, fire or malfunction may be caused.



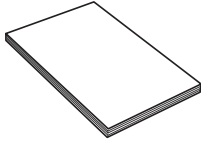
# Contents of the Package

To purchase additional parts, consult a distributor or selling agent.

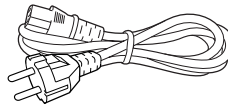
GENERAL INFORMATION



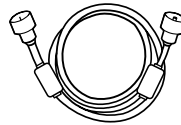
Remote Control/2 Batteries  
(1.5V AAA)



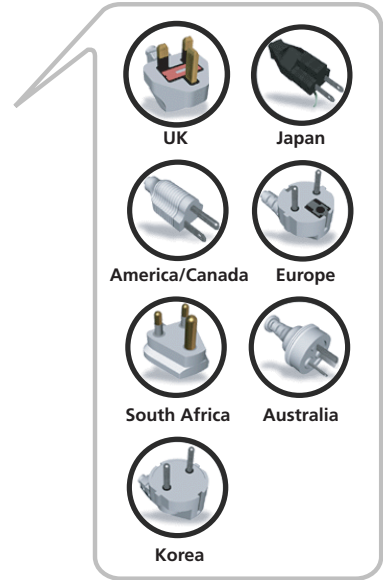
User's Guide



Power Cord

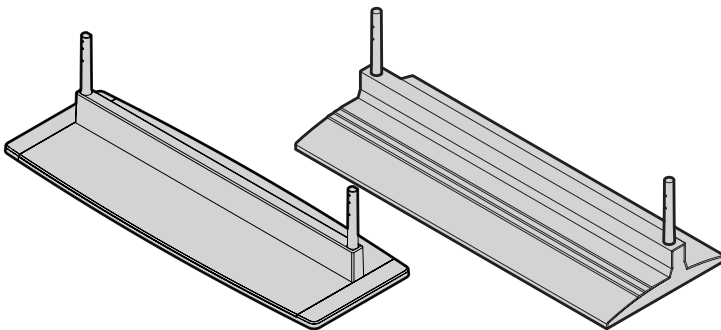


Antenna Cable



# Separately Sold Products

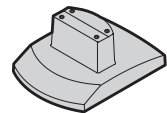
If you want to purchase separately sold products, consult a service center, electronics shops, or parts seller.



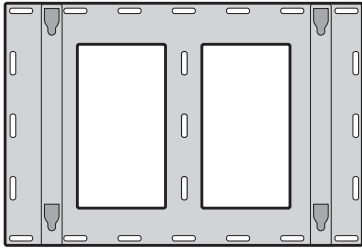
Desk type stand



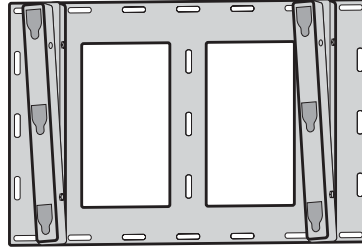
Desk type speaker



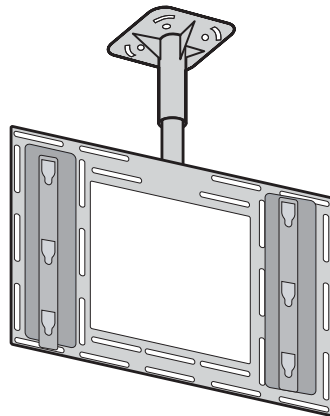
Desk type speaker stand



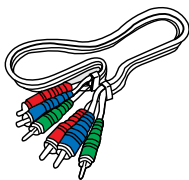
Wall mounting frame



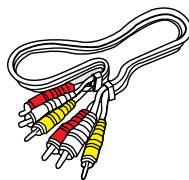
Adjustable wall mounting frame



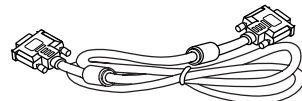
Ceil mounting frame



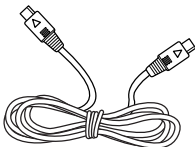
Component(Y, Pb, Pr) cable



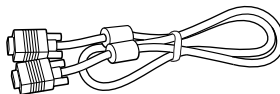
Composite(Video & Audio) cable



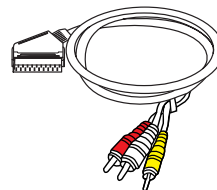
DVI PC video(digital) cable



S-video cable



PC signal cable



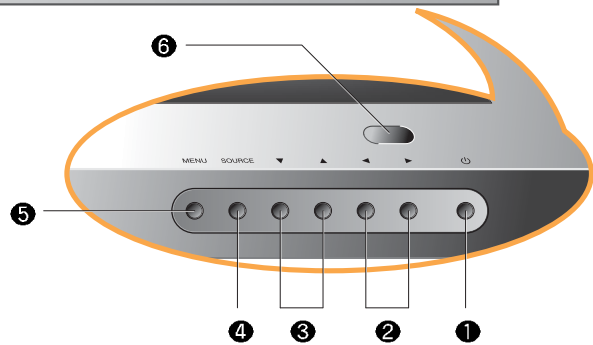
Scart cable





# Parts Names and Functions

## Front View



\* The above image may look different from the real product.

### ① Power button

Use this button to turn on or off the PDP.

### ② Volume buttons

Use these buttons for your desired sound level. These buttons also serve as the cursor of Select/Adjust when in Menu mode.

### ③ Channel buttons

Use these buttons to change channels. These buttons also serve as the cursor of Down and Up buttons when in Menu mode.

### ④ Source button

Use this button to switch among inputs connected to the PDP.

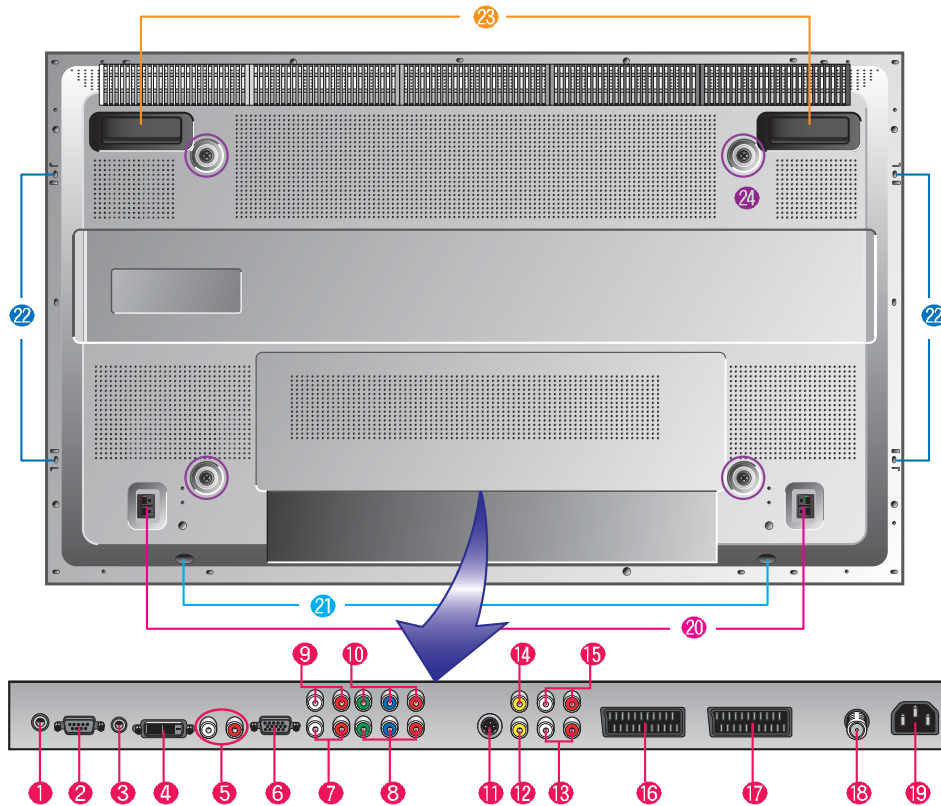
### ⑤ Menu button

Use this button to display or exit from menus.

### ⑥ Remote sensor and power LED

Point the remote control toward here. It displays standby or operation status.

## Rear View



- 1 Sub woofer output**  
If you wish to reproduce the lower bass frequencies, please connect the cable to your Subwoofer speaker with \*AMP.
- 2 RS-232 input terminal**  
Connect to the RS-232 terminal of a PC for the service check.  
\*For the control method using this terminal, consult an authorized PDP monitor dealer.
- 3 Phone Jack(RS-232 Output)**  
Extend an RS-232 input.
- 4 DVI input terminal**  
Connect to the DTV receiver with DVI terminal or to external devices such as a PC.
- 5 PC/DVI Audio input**

- 6 D-SUB input terminal**  
Connect to the DTV Receiver with D-Sub terminal or to RGB output terminal of a PC.
- 7 Audio input terminal for DVD**  
Connect to the audio output terminal of DVD player.
- 8 Component input terminal for DVD or DTV**  
Connect to the Component output terminal of DVD player/DTV receiver.
- 9 Audio input terminal for DTV Component**  
Connect to the audio output terminal of DTV receiver.
- 10 Component input terminal**

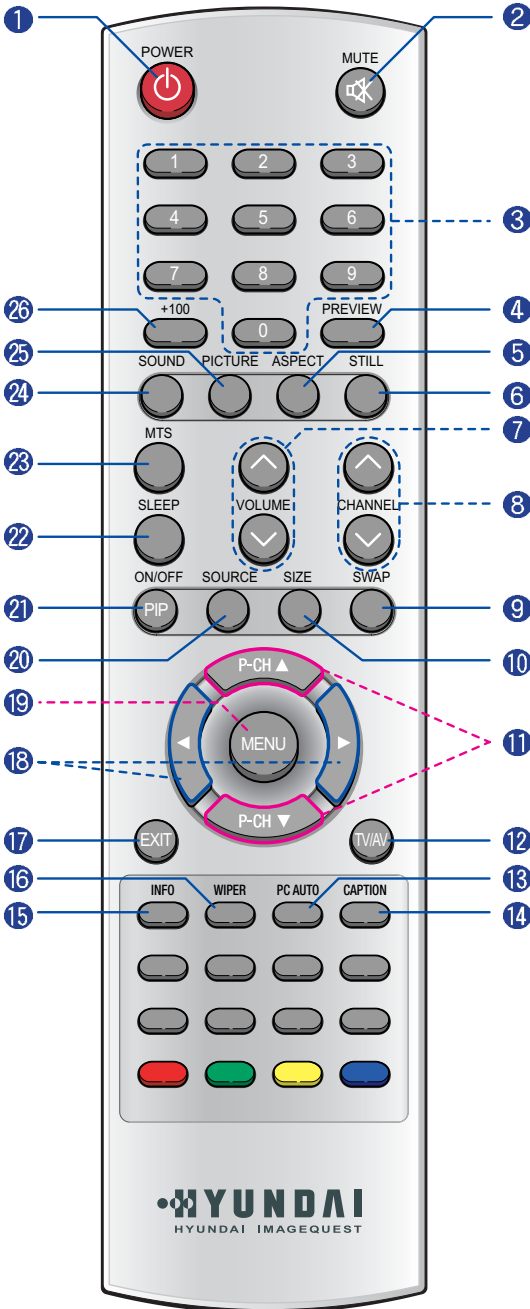
- 11 S-video input terminal**  
Use this for the better video quality than video input terminal.
- 12 Video Composite input terminal for VCR**  
Connect to the Composite Video output terminal of VCR or DVD player.
- 13 Audio input terminal for VCR**  
Connect this when S-video or Composite Video inputs.
- 14 Video output**  
This allows you to view the current program from another external source at the same time.

- 15 Audio output**  
This allows you to hear the sound for the current program.
- 16 17 SCART input terminal**  
Use this for composite-video input and audio-inputs using scart cable.
- 18 ANT. input**  
This allows you to connect your antenna.
- 19 Power input terminal**  
Power cord is connected here.
- 20 Speaker terminal**
- 21 Stand assembly**
- 22 Speaker assembly**
- 23 Carrying handles**
- 24 Screw hole for fixing on a wall**



# Remote Control

GENERAL INFORMATION



- 1 POWER/STANDBY**  
Use this button to turn the TV set on or off.
- 2 MUTE**  
Use this button to turn the sound off completely.
- 3 NUMERIC KEYS**  
Use these buttons to select channels.
- 4 PREVIEW**  
Use this button to return to the previous channel.
- 5 ASPECT RATIO**  
Use this button to quickly change the picture format.
- 6 STILL**  
Use this button to freeze a picture.
- 7 VOLUME**  
Use this button to control the volume level
- 8 CHANNEL**  
Use these buttons to select channels.
- 9 SWAP**  
Use this button to switch what is being shown on the main picture to the sub-picture.
- 10 SIZE**  
Use this button to change the size of a sub-picture.
- 11 SUB-PICTURE CHANNEL SELECTION**  
Use these buttons to select or adjust each item of menu. Or you can select channels in sub-pictures.
- 12 TV/AV buttons**  
Use this button to display the available video sources.  
(TV, Video, S-Video, DTV, DVD, PC, DVI, Scart 1, Scart 2)
- 13 PC AUTO**  
Use this button to automatically adjust settings according to the frequency and resolution selection in PC mode.

**14 CAPTION**

Use this button to displays the closed captions that are broadcasted with certain TV shows.

**15 INFORMATION**

Use this button to display picture mode, resolution or various program information.

**16 WIPER**

Use this button to prevent any possible ghosts. White bar will pass through the TV screen to prevent ghosts.

**17 EXIT**

Use this button to exit from a menu.

**18 SELECT/ADJUST**

Select or adjust each item of menu.

**19 MENU**

Use this button to adjust screen, audio, channel, function, time, etc.

**20 SOURCE [MULTI SCREEN]**

Use this button to select input signals for sub-pictures.

**21 PIP (PICTURE IN PICTURE) ON/OFF**

Use this button to watch more than one picture at once.

**22 SLEEP**

Use this button to allow your TV to turn off automatically at designated time.

**23 MTS**

Use this button to display types of audio signals currently aired on TV. Or you can use this button to switch to other Sound Mode available.

**24 SOUND**

Use this button to select the status of sound.

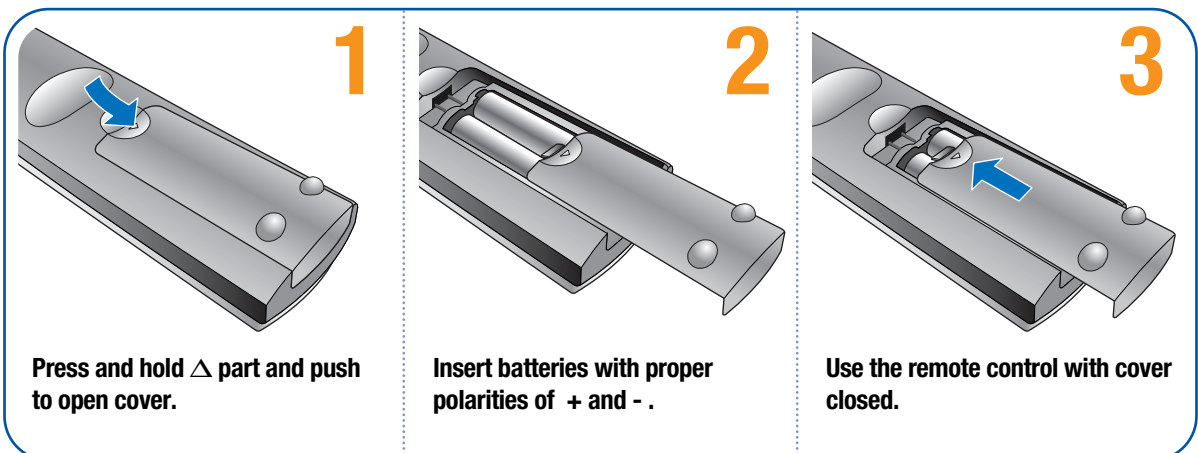
**25 PICTURE**

Use this button to select the status of picture.

**26 +100 KEY**

Use this button to select the channel above 100

## How to Insert Batteries in Remote Control

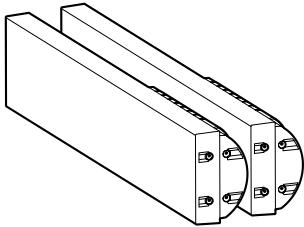


\*Battery type : 1.5V/UM-3(AA/R06)

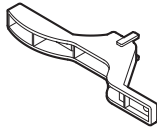


# How To Use Speakers (Standing Type)

## Parts configuration chart



2 Speakers (left and right)



4 brackets



16 fixing screws

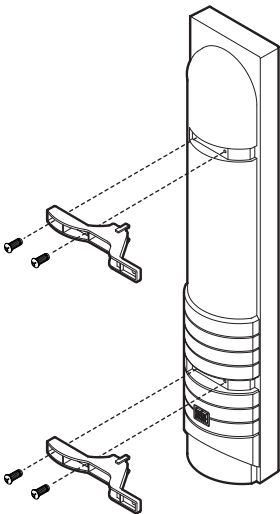


2 sets of speaker cables  
(left and right)

## Assembly and Connection Method

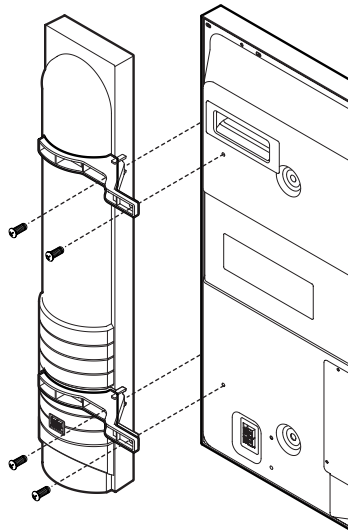
1

Insert brackets into the grooves on the rear of speakers and fasten them with fixing screws. (Left and right side each)



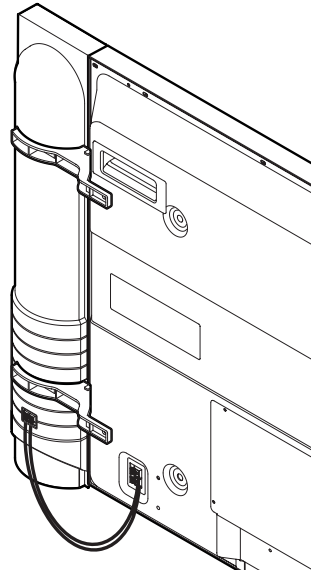
2

Fasten 1 with PDP body using fixing screws. (Left and right side each)



3

Connect speaker cables between terminals on the rear of speakers with speaker connection terminals on the rear of PDP. (Connect cables and terminals in the same color)

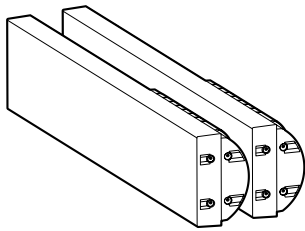


### WARNING

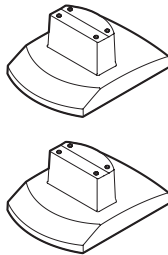
Do not move the product holding the speakers. Always use handles on the PDP. (Brackets connecting PDP and speakers may be damaged.)

## How To Use Speakers (Desk Type)

### Parts configuration chart



2 Speakers (left and right)



2 Speaker-stands (left and right)



8 fixing screws



2 sets of speaker cables (left and right)

### Assembly and Connect method

1

Insert speaker-stands in the groove on the bottom of speakers and fasten them with fixing screws. (Left and right side each)



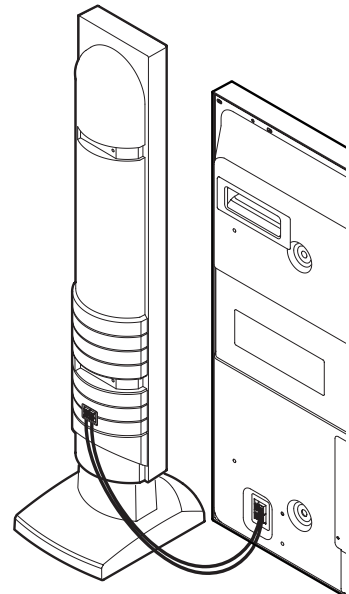
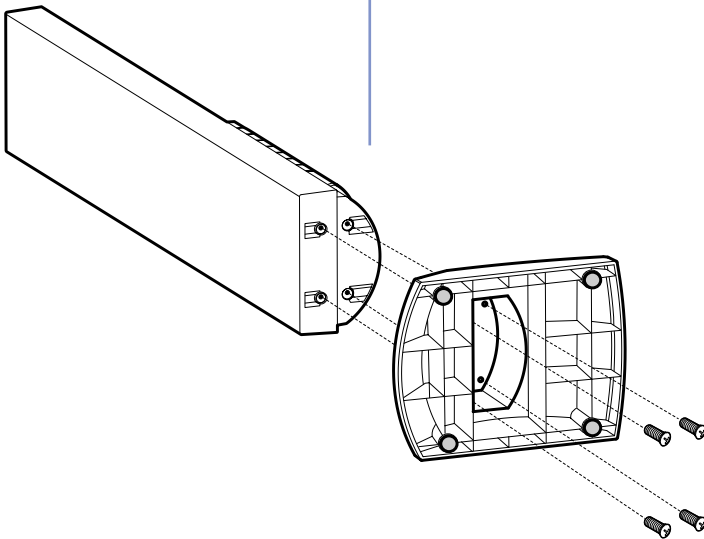
2

Upright 1 and place them on desired place left and right of PDP. (Left and right side each)



3

Connect speaker cables between terminals on the rear of speakers and speaker connection terminals on the rear of PDP. (Connect cables and terminals in the same color)



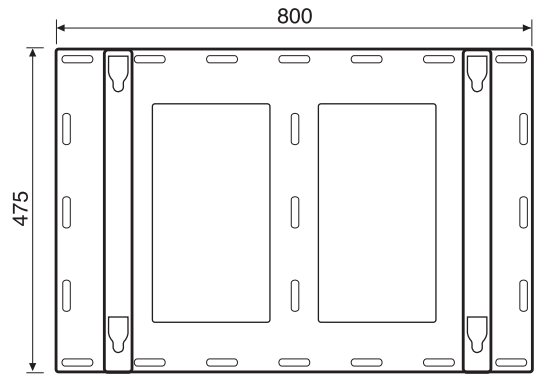


# How To Install Wall Hanger Support

## 1. Caution

1. Install on the vertical wall surface only.
2. Do not install on the following places to protect the performance of PDP and to prevent malfunction.
  - Near sprinkler Detector
  - Near heating devices
  - Places where vibration or shock may be applied
  - Near high voltage electric power line
3. Install in a proper method with the structural materials of the wall. If the wall is not strong enough to stand weight of PDP set, reinforce the wall surface before installation.
4. Do not install within a wall.

## 2. Parts configuration chart



Wall mount frame



4 screws



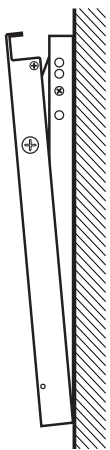
Spring washer



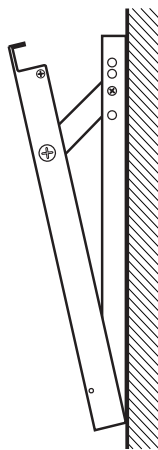
4 plastics for mount frame

## 3. Angle Adjustment(Optional)

The angle of PDP may be adjusted from 0 degree to 20 degree in 5 steps with 5 degrees. Use the angle adjustable hole on the side of fixing panel when adjustment is needed. (This function is supported with angle adjustable type wall mount frame only.)



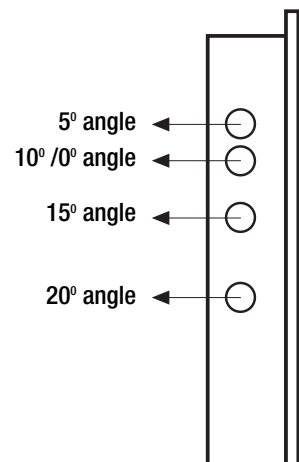
5° angle



15° angle



No angle



5° angle

10° /0° angle

15° angle

20° angle

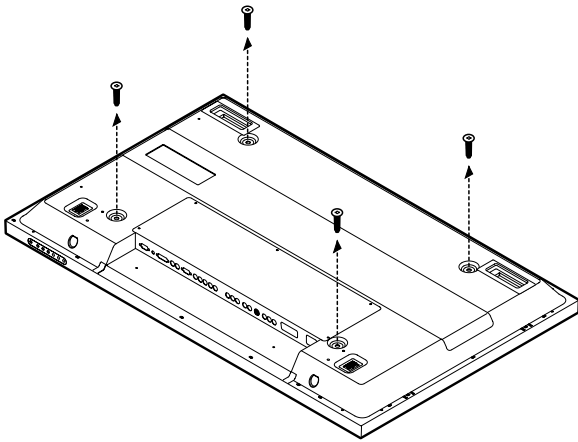
Angle adjustable hole

\* Fixed type wall mount frame does not support angle adjustable function.

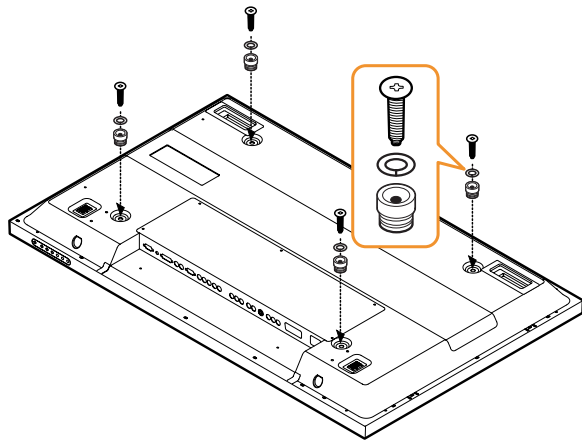
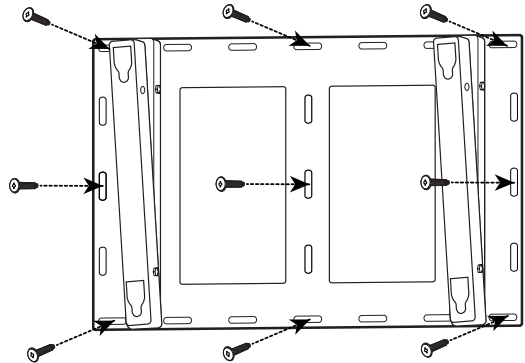
# How To Install Wall mount frame

## 4. Installation Method

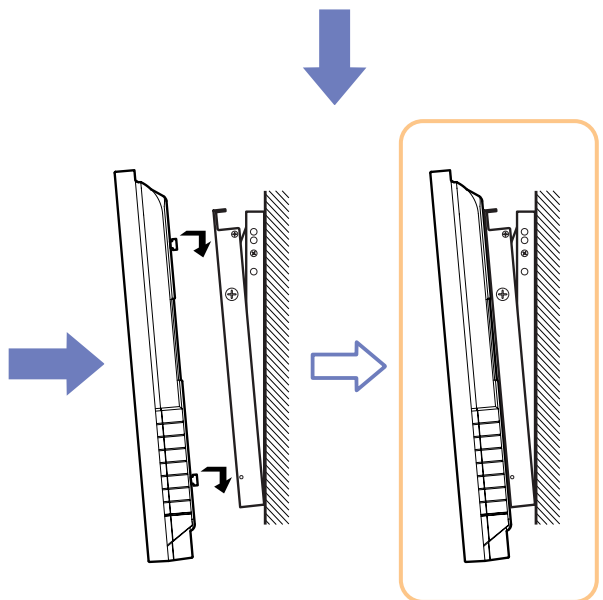
1. Unscrew screws fasted on four spots on the back of PDP.



3. Fix the wall mount frame on the wall with screws or nails.



2. Fasten the screws and plastics for mount frame on the spot where screws were as shown on the picture.



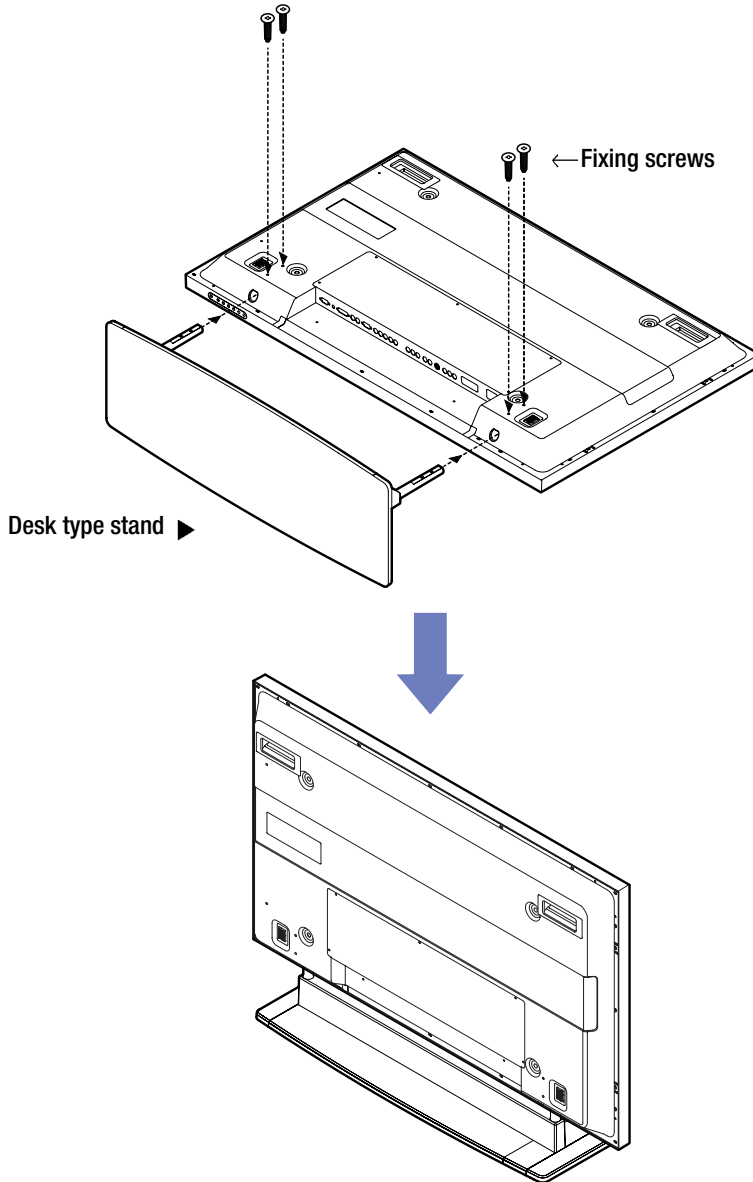
4. Hang the plastics for the mount frame on the wall mount frame. (If the PDP is lifted too much, the hanging plastic may be separated.)





## How To Install Wall Hanger Support

1. Place the PDP body on a flat desk or shelf. Clean the surface of the desk or shelf in order to prevent scratch on the product.
2. Align the stand with PDP body below and fasten the stand bars using 4 fixing screws.
3. After the assembly is over, stand the assembled product at a desired place.



Warning : Do not install at an unstable place or on a small support.  
(When a child plays around the product and touch it, PDP may fall and injure the child.)

## Connections



Connecting VHF and UHF Antenna.....	23
Connecting Cable TV .....	23
Before connecting the video/audio connections to external devices .....	25
Connecting a VCR, Cable/Satellite Receiver .....	26
Connecting a DVD Player .....	27
Connecting a DTV(Digital Broadcast) Receiver .....	28
Playing Back a Tape Recorded On a Camcorder .....	29
Connecting to a PC(DVI, D-SUB) .....	30
Resolutions Supported in PC .....	31
Scart Connection to the External Input .....	32

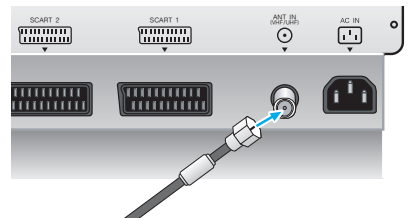


## Connecting VHF and UHF Antenna

### Antenna with 75-ohm Round Leads

If your antenna looks like this :  it has 75-ohm round leads.

Plug the antenna lead into the VHF/UHF terminal on the PDP.  
Use the Antenna Cable, an accessory included in the product package.

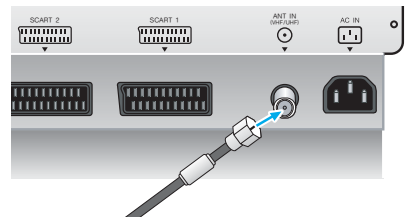


## Connecting Cable TV

You can connect different cable systems to your PDP, including cable without a cable box, and cable with a cable box that descrambles some or all channels.

### Cable without a Cable Box

Plug the incoming cable into the VHF/UHF terminal on the PDP.  
Use the Antenna Cable, an accessory included in the product package.



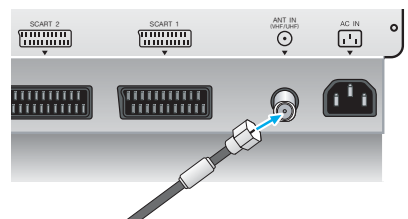
### Cable with a Cable Box that Descrambles All Channels.

**1** Find the cable connected to the ANTENNA OUT terminal on your cable box. This terminal might be labeled "ANT OUT", "VHF OUT", or simply "OUT".



**2** Connect the cable to the VHF/UHF terminal on the PDP.

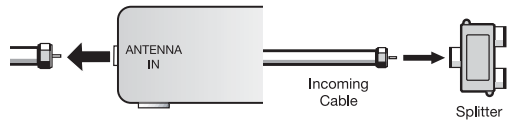
Use the Antenna Cable, an accessory included in the product package.



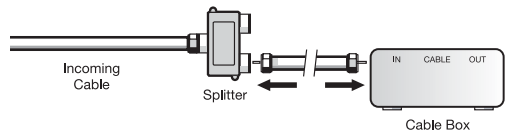
## Cable with a Cable Box that Descrambles Some (But Not All) Channels

To complete this connection you will need a two-way splitter, an RF (A/B) switch, and four coaxial cables.

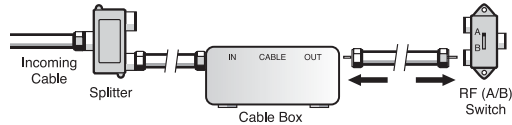
- 1 Find and disconnect the cable that is connected to the ANTENNA IN terminal of your cable box. This terminal might be labeled "ANT IN", "VHF IN", or simply, "IN". Connect this cable to a two-way splitter.



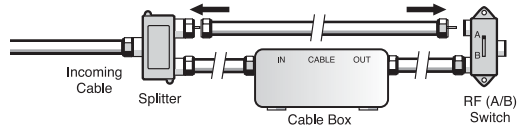
- 2 Connect a coaxial cable between an OUTPUT terminal of the splitter and the IN terminal of the cable box.



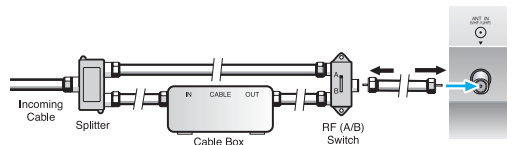
- 3 Connect a coaxial cable between the ANTENNA OUT terminal of the cable box and the B-IN terminal of the A/B switch.



- 4 Connect a coaxial cable between the ANTENNA OUT terminal of the cable box and the B-IN terminal of the A/B switch.



- 5 Connect the last coaxial cable between the OUT terminal of the RF (A/B) switch and the VHF/UHF terminal on the PDP.



After you've made this connection, set the A/B switch to the "A" position for normal viewing. Set the A/B switch to the "B" position to view scrambled channels. (When you set the A/B switch to "B", you will need to tune your Set-Top Box to the cable box's output channel, which is usually channel 3 or 4.)



## Before connecting the video/audio connections to external devices .....

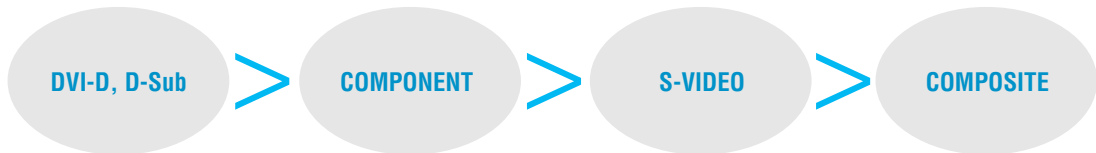
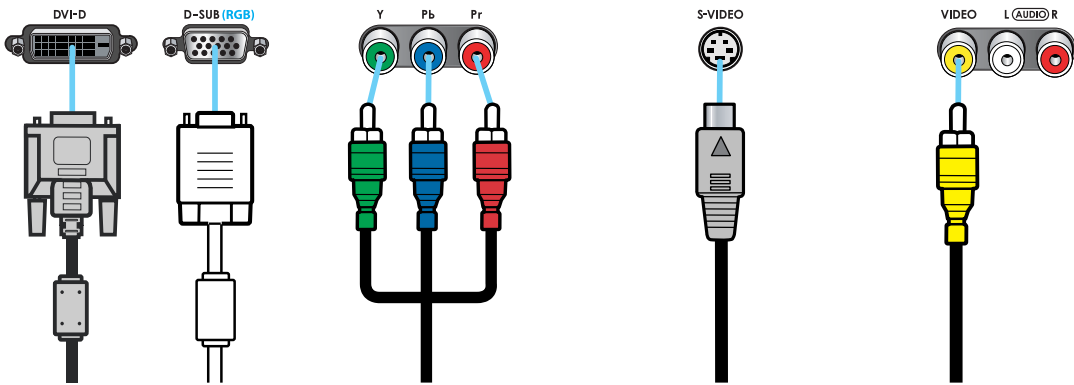
Please make sure to read the following information on connection to enjoy best picture quality.

### Video/Audio connectors

#### Types of video/audio cable :

- ① DVI-D ② 15-Pin D-Sub ③ COMPONENT ④ S-VIDEO ⑤ COMPOSITE ⑥ FULL SCART ⑦ HALF SCART

*Best picture quality is displayed in the following order.*

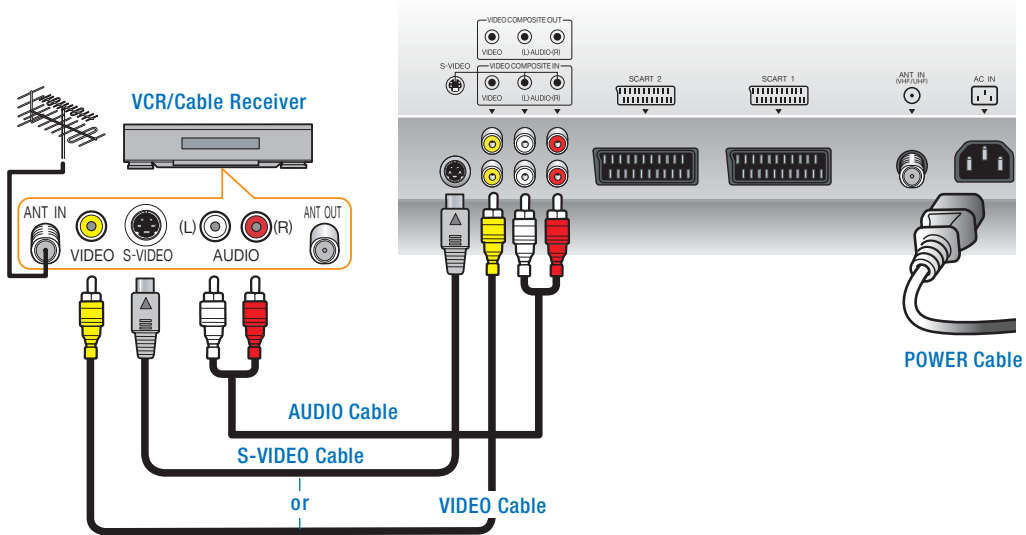


←  
*The superior picture quality starts from the far left side.*

# Connecting a VCR, Cable/Satellite Receiver

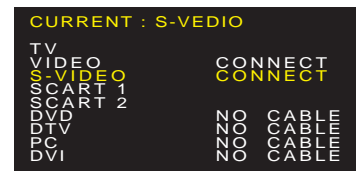
## Connection Method

- 1 Connect Video/S-Video cable between Video/S-Video output terminal of VCR or Cable/Satellite receiver and Video/S-Video input terminal of PDP.  
(Connect cables and terminal in the same colors)
- 2 Connect Audio cable (left:white color, right:red color) between Audio output terminal of VCR or cable/satellite receiver and Audio input terminal of PDP.  
(Connect cables and terminal in the same colors)



## How to Watch

- 1 Turn on your PDP and press on remote control unit.
- 2 Press to move between entries. And press to select Video or S-Video.



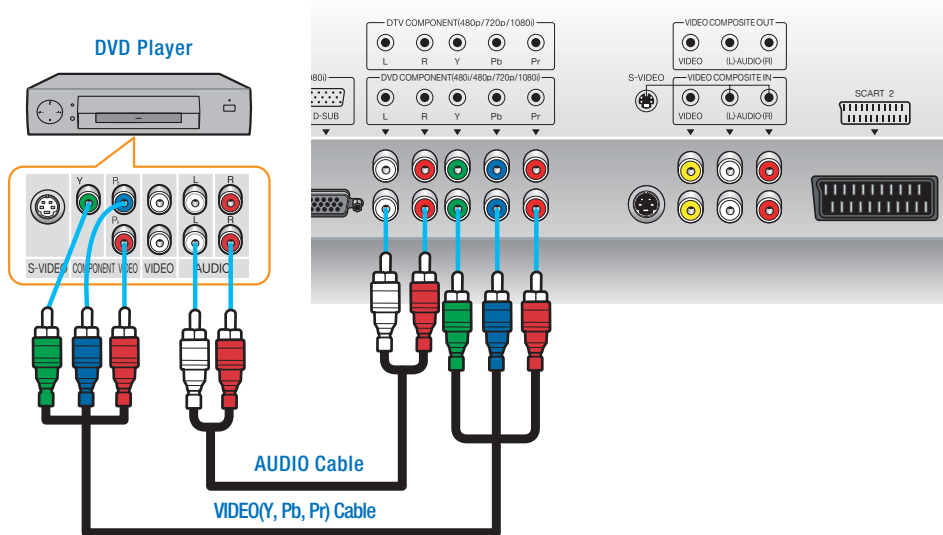
Use S-video cables for better picture quality.



# Connecting a DVD Player

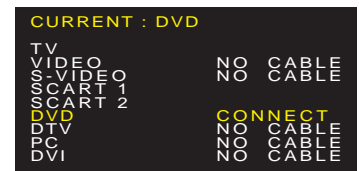
## Connection Method

- 1 Connect video cables(Y, Pb, Pr) between output terminals(Y, Pb, Pr) of DVD player and the input terminals(Y, Pb, Pr) of DVD(480i/480p/720p/1080i) on the rear of PDP.  
(Connect cables and terminal in the same colors)
- 2 Connect Audio cable between Audio output terminal of DVD player and Audio input terminal for DVD Audio on the rear of PDP.  
(Connect cables and terminal in the same colors)



## How to Watch

- 1 Turn on your PDP and press on remote control unit.
- 2 Press to move between entries. And press to select DVD.



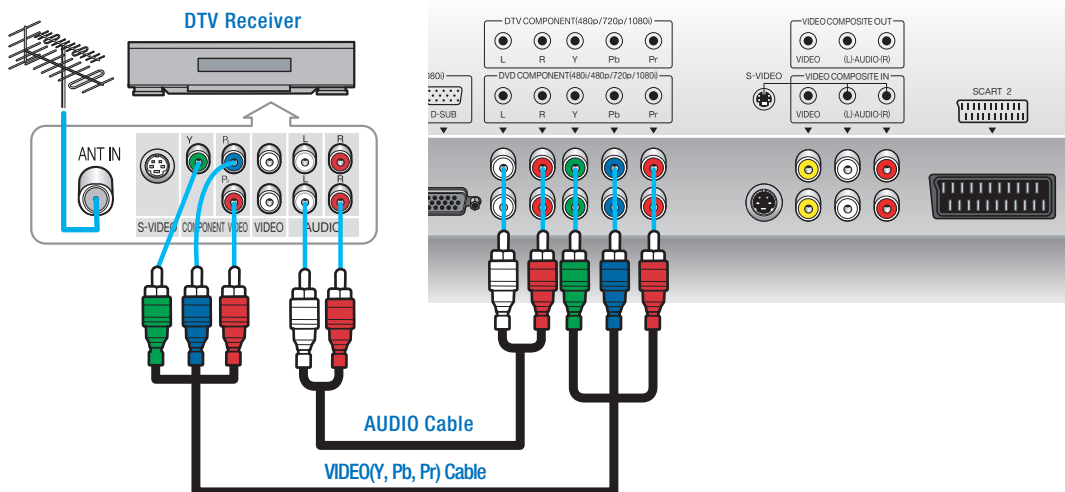
### TIP

Output terminal mark(Y, Pb, and Pr) of DVD player may be written as Y, B-Y, R-Y/Y-Cb-Cr / Y-Pb-Pr.  
(It depends on DVD player)

# Connecting a DTV(Digital Broadcast) Receiver

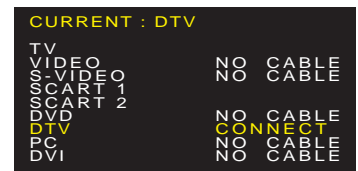
## Connection Method

- 1 Connect video cables(Y, Pb, Pr) between output terminals(Y, Pb, Pr) of DTV Receiver and the input terminals(Y, Pb, Pr) of DTV(480p/720p/1080i) on the rear of PDP. (Connect cables and terminal in the same colors)
- 2 Connect Audio cable between Audio output terminal of DTV Receiver and Audio input terminal for DTV Audio on the rear of PDP. (Connect cables and terminal in the same colors)



## How to Watch

- 1 Turn on your PDP and press **TV/AV** on remote control unit.
- 2 Press **CH A** to move between entries. And press **OK** to select DTV.



To watch digital broadcast, you have to separately purchase a digital set-top box and connect it to PDP.

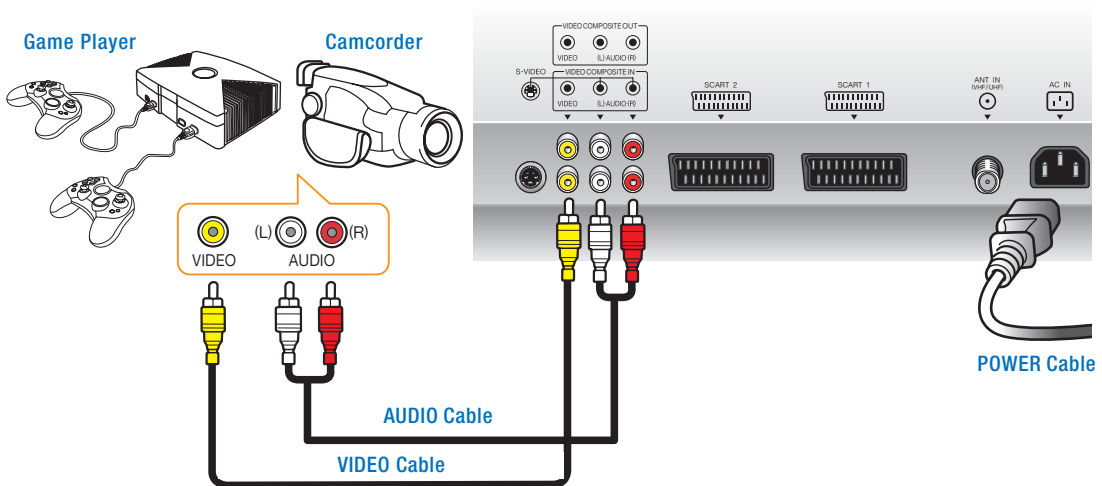




# Playing Back a Tape Recorded On a Camcorder

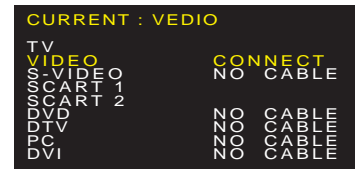
## Connection Method

- 1 Connect Video cable between Video output terminal of Camcorder/Game player and Video input terminal of PDP.  
(Connect cables and terminal in the same colors)
- 2 Connect Audio cable (left:white color, right:red color) between Audio output terminal of Camcorder /Game player and Audio input terminal of PDP.  
(Connect cables and terminal in the same colors)



## How to Watch

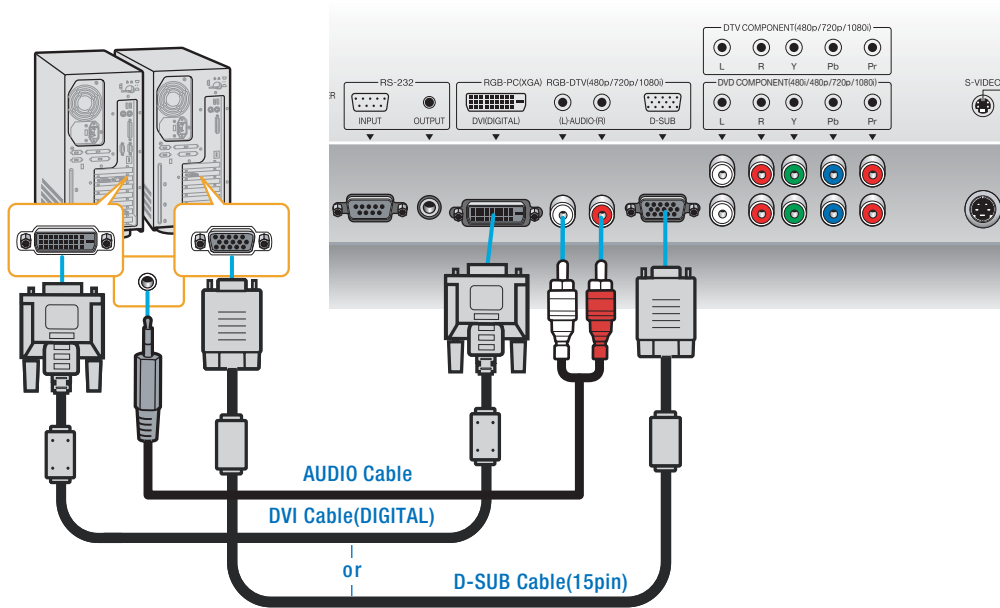
- 1 Turn on your PDP and press on remote control unit.
- 2 Press to move between entries. And press to select Vedio.



# Connecting to a PC(DVI, D-SUB)

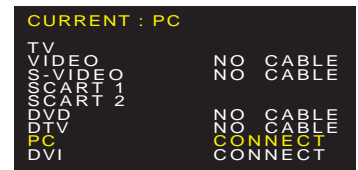
## Connection Method

- 1 Connect PC signal cable(15 pins D-sub) between output terminal of PC and the D-sub input terminal of a PDP. In case of DVI(Digital) cable, connect it between output terminal for DVI(DIGITAL) of PC and input terminal for DVI of PDP.
- 2 Connect Audio cable between Audio output terminal of PC and Audio input terminal for PC of PDP. (Connect cables and terminal in the same colors)



## When Using As a PC Monitor

- 1 Turn on your PDP and press **TV/AV** on remote control unit.
- 2 Press **PC/DVI** to move between entries. And press **Left/Right** to select PC or DVI.



### TIP

DVI cable provides better picture quality. This product supports plug-and-play function. We recommend the above method if the satellite receiver supports DTV signal with DVI(Digital) and D-sub(15 pin) cable for the better quality picture.