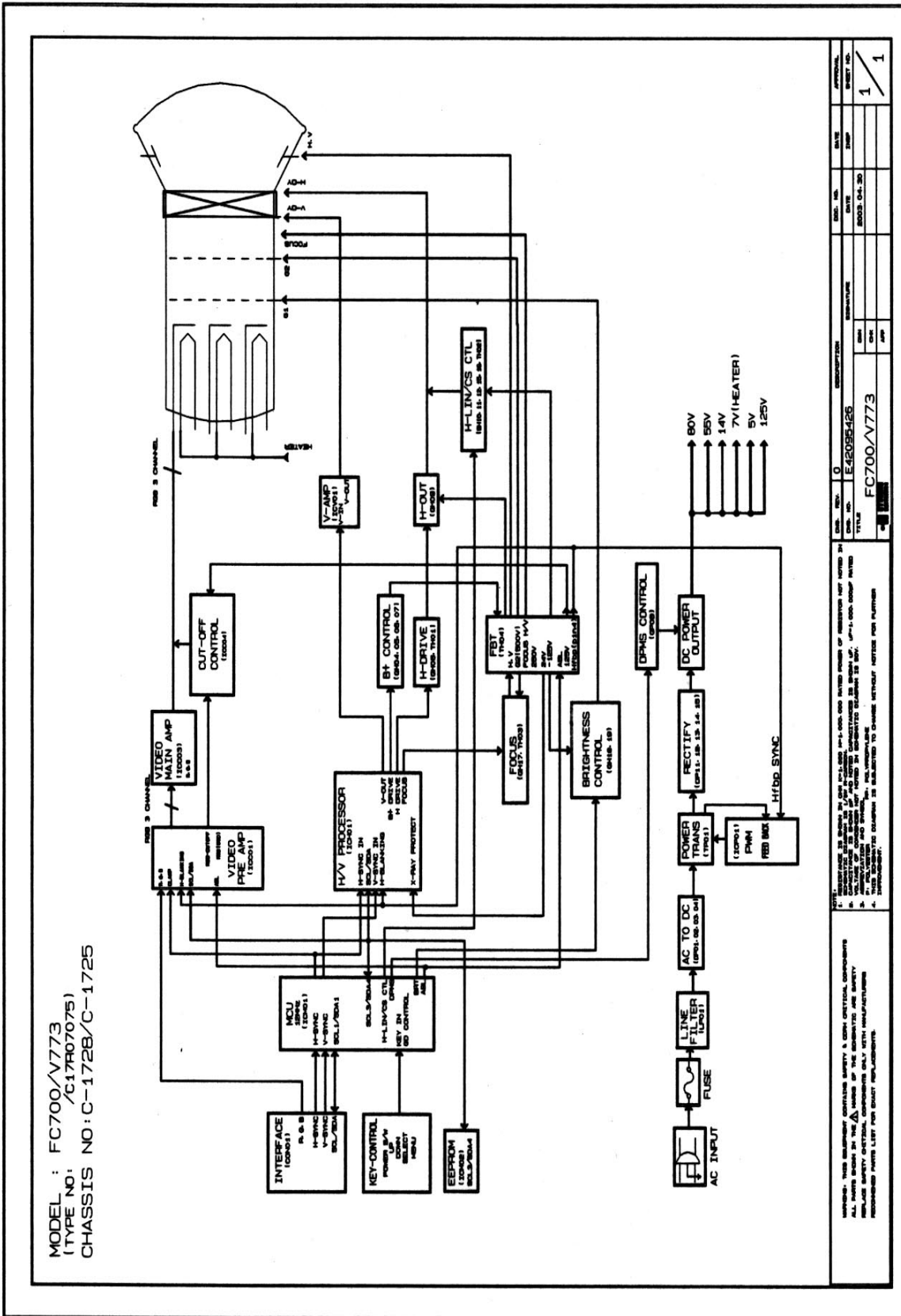


ATTACHMENT C.

- BLOCK DIAGRAM -



REV. NO.	0	DESCRIPTION	
REV. DATE		REVISION	
REV. BY		DATE	
REV. FOR		BY	
REV. NO.	1	DESCRIPTION	
REV. DATE		REVISION	
REV. BY		DATE	
REV. FOR		BY	
PART NO.		FC700/V773	
REV. NO.		1	
REV. DATE			
REV. BY			
REV. FOR			

NOTE: THIS EQUIPMENT CONTAINS SAFETY & OTHER CRITICAL COMPONENTS. ALL PARTS SHOWN IN THE Δ MARKS OF THE SCHEMATIC ARE SAFETY RELATED SAFETY CRITICAL COMPONENTS ONLY WITH MANUFACTURER'S APPROVED PARTS LIST FOR QUALITY REQUIREMENTS.

1. IDENTIFICATION OF PARTS: PARTS LISTED IN THIS SCHEMATIC ARE IDENTIFIED BY A Δ MARK IN THE PART NUMBER. PARTS LISTED IN THIS SCHEMATIC ARE IDENTIFIED BY A Δ MARK IN THE PART NUMBER. PARTS LISTED IN THIS SCHEMATIC ARE IDENTIFIED BY A Δ MARK IN THE PART NUMBER.

2. IDENTIFICATION OF PARTS: PARTS LISTED IN THIS SCHEMATIC ARE IDENTIFIED BY A Δ MARK IN THE PART NUMBER. PARTS LISTED IN THIS SCHEMATIC ARE IDENTIFIED BY A Δ MARK IN THE PART NUMBER. PARTS LISTED IN THIS SCHEMATIC ARE IDENTIFIED BY A Δ MARK IN THE PART NUMBER.

3. IDENTIFICATION OF PARTS: PARTS LISTED IN THIS SCHEMATIC ARE IDENTIFIED BY A Δ MARK IN THE PART NUMBER. PARTS LISTED IN THIS SCHEMATIC ARE IDENTIFIED BY A Δ MARK IN THE PART NUMBER. PARTS LISTED IN THIS SCHEMATIC ARE IDENTIFIED BY A Δ MARK IN THE PART NUMBER.

4. IDENTIFICATION OF PARTS: PARTS LISTED IN THIS SCHEMATIC ARE IDENTIFIED BY A Δ MARK IN THE PART NUMBER. PARTS LISTED IN THIS SCHEMATIC ARE IDENTIFIED BY A Δ MARK IN THE PART NUMBER. PARTS LISTED IN THIS SCHEMATIC ARE IDENTIFIED BY A Δ MARK IN THE PART NUMBER.