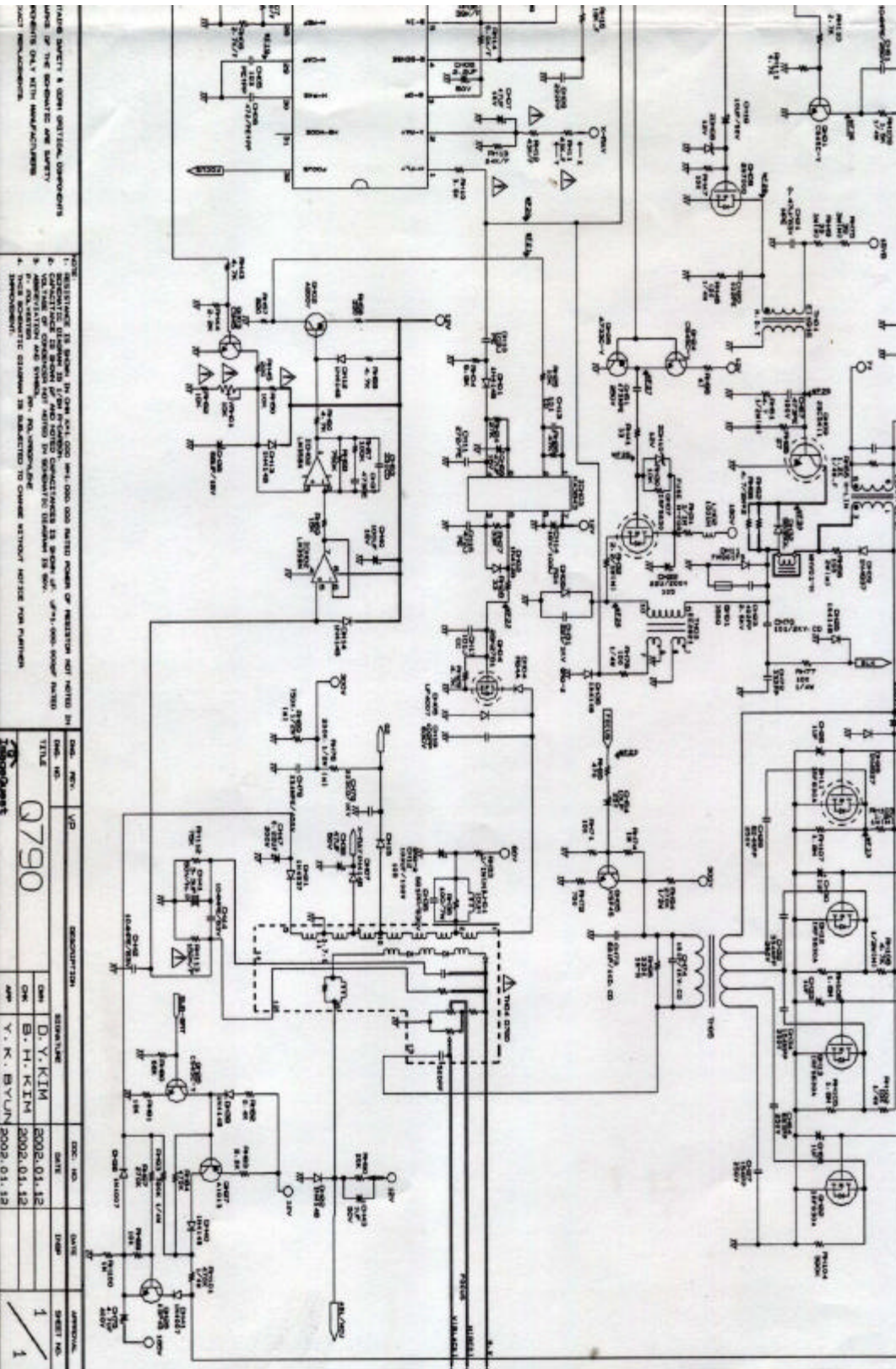


WARNING: THIS EQUIPMENT CONTAINS ALL PARTS FROM THE ORIGINAL SAFETY DESIGN. RECOMMENDED PARTS LIST FOR



1. RESISTANCE IS SHOWN IN OHM UNLESS NOTED OTHERWISE.  
 2. CAPACITANCE IS SHOWN IN MICROFARADS UNLESS NOTED OTHERWISE.  
 3. CONNECTIONS TO COMMON ARE INDICATED BY A TRIANGLE.  
 4. THIS SCHEMATIC DRAWING IS SUBJECT TO CHANGE WITHOUT NOTICE FROM PLANT.

DATE: 2002.01.12  
 DRAWN BY: D. Y. KIM  
 CHECKED BY: B. H. KIM  
 APPROVED BY: Y. K. BYUN

NO.	REV.	DESCRIPTION	DATE	BY	CHK.
1			2002.01.12	D. Y. KIM	B. H. KIM
2			2002.01.12	B. H. KIM	Y. K. BYUN