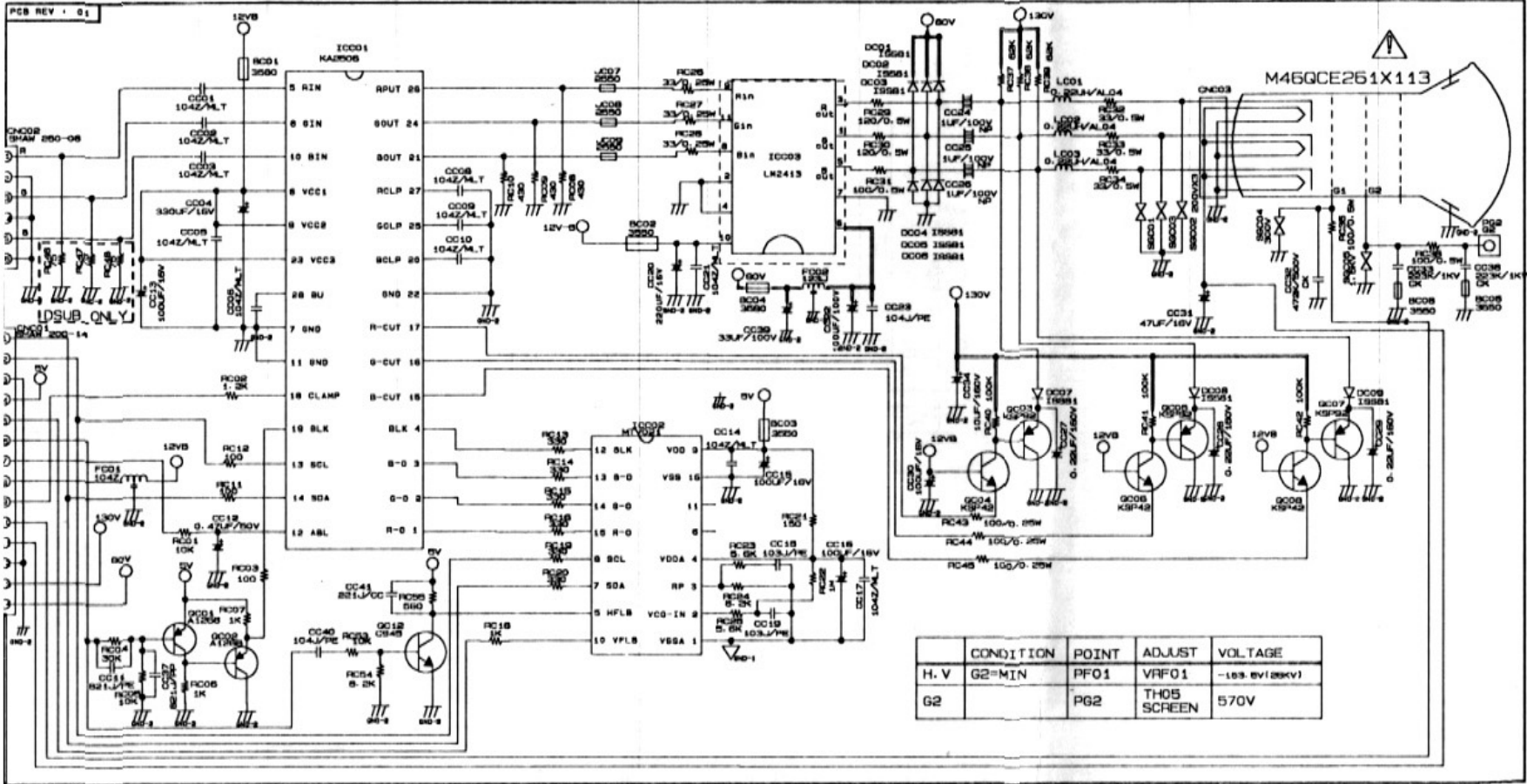


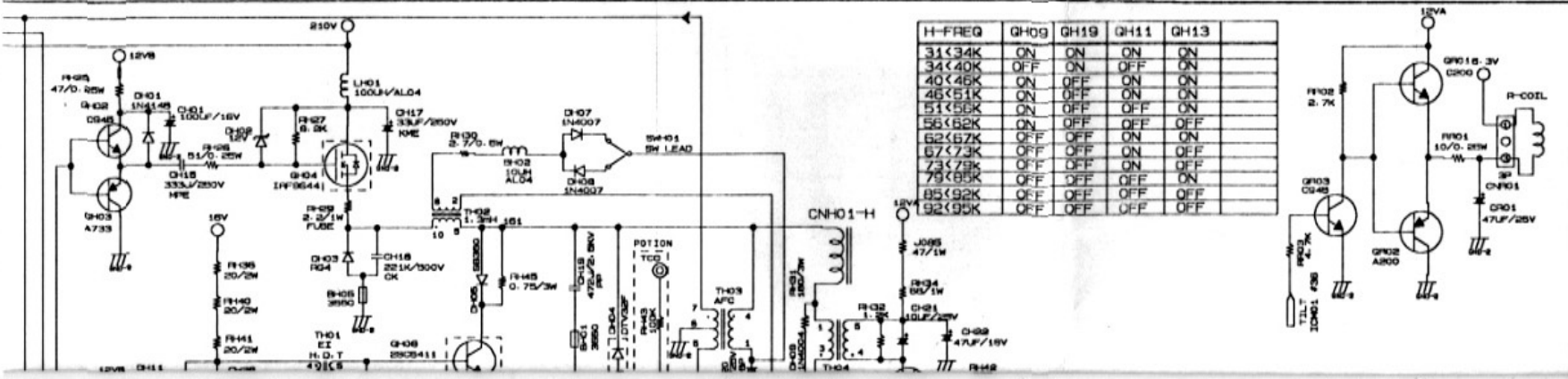
NOTE:
 1. RESISTANCE IS SHOWN IN OHM K=1,000 M=1,000,000 RATED POWER OF RESISTOR NOT NOTED IN SCHEMATIC DIAGRAM IS 1/8W P-CARBON.
 2. CAPACITANCE IS SHOWN µF AND MICRO CAPACITANCES IS SHOWN µF. UF=1,000,000µF RATED VOLTAGE OF CONDENSER NOT NOTED IN SCHEMATIC DIAGRAM IS 50V.
 3. ABBREVIATION AND SYMBOLS: PP: POLYPROPYLENE
 P: POLYESTER
 4. THIS SCHEMATIC DIAGRAM IS SUBJECTED TO CHANGE WITHOUT NOTICE FOR FURTHER IMPROVEMENT.

DWG. REV.	A	DESCRIPTION	DOC. NO.	DATE	APPROVAL
DWG. NO.	E42095355	SIGNATURE	DATE	INSP	SHEET NO.
TITLE	A927	DWG	L. H. KIM 00.09.26		1
		CHK	J. B. KIM 00.09.26		
		APP	Y. K. BYUN 00.09.26		1

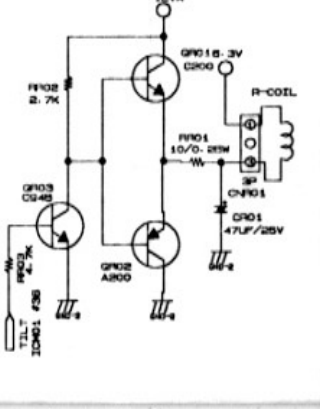
CRITICAL COMPONENTS
 ARE SAFETY
 MANUFACTURERS



	CONDITION	POINT	ADJUST	VOLTAGE
H. V	G2=MIN	PF01	VRF01	-163.6V(26KV)
G2		PG2	TH05 SCREEN	570V

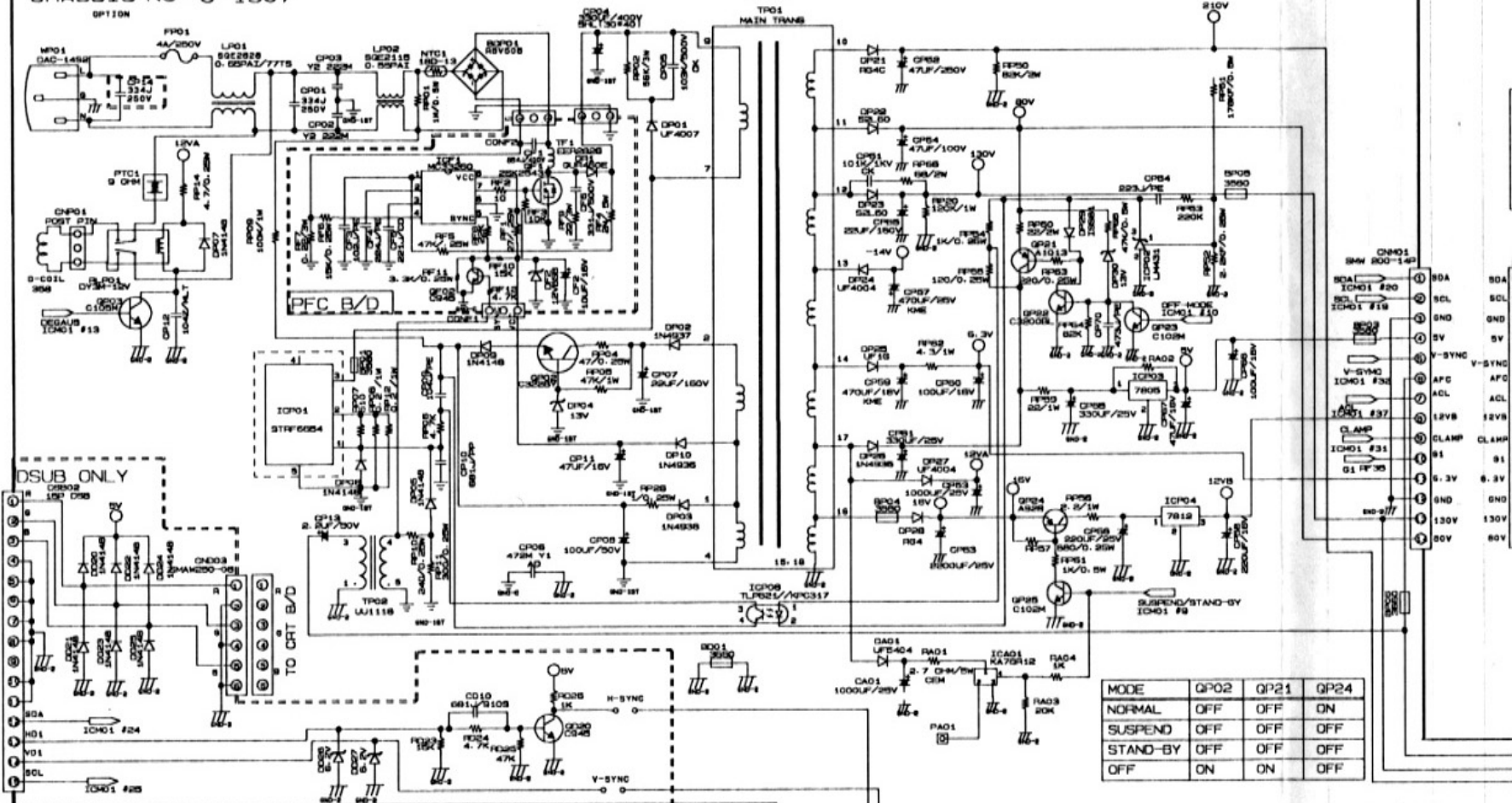


H-FREQ	GH09	GH19	GH11	GH13
31434K	ON	ON	ON	ON
34440K	OFF	ON	OFF	ON
40446K	ON	OFF	ON	ON
46451K	ON	OFF	ON	ON
51456K	ON	OFF	OFF	ON
56462K	ON	OFF	OFF	OFF
62467K	OFF	OFF	ON	ON
67473K	OFF	OFF	ON	OFF
73479K	OFF	OFF	ON	OFF
79485K	OFF	OFF	OFF	ON
85492K	OFF	OFF	OFF	OFF
92498K	OFF	OFF	OFF	OFF

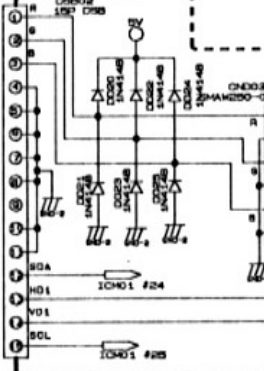


MODEL : A927 MODEL TYPE NO : C19R06091
 CHASSIS NO : C-1907

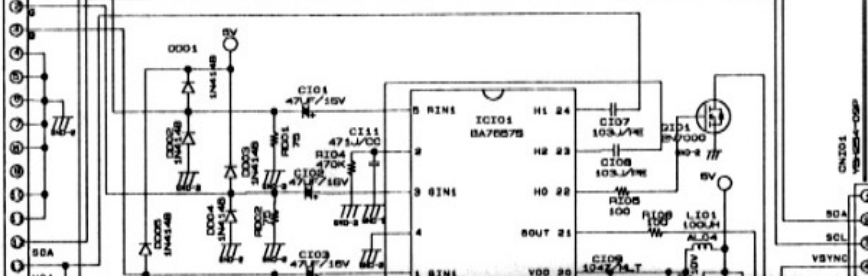
PCB REV : 01



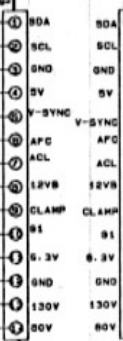
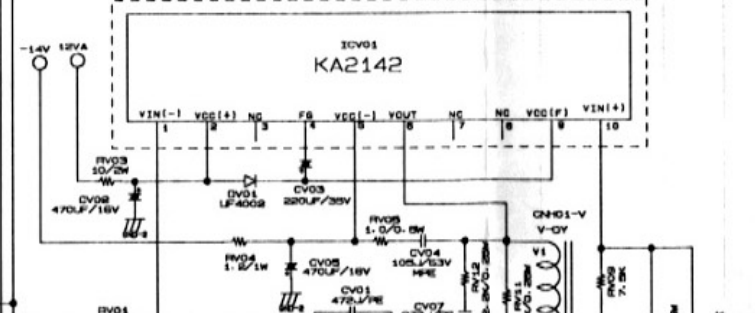
DSUB ONLY

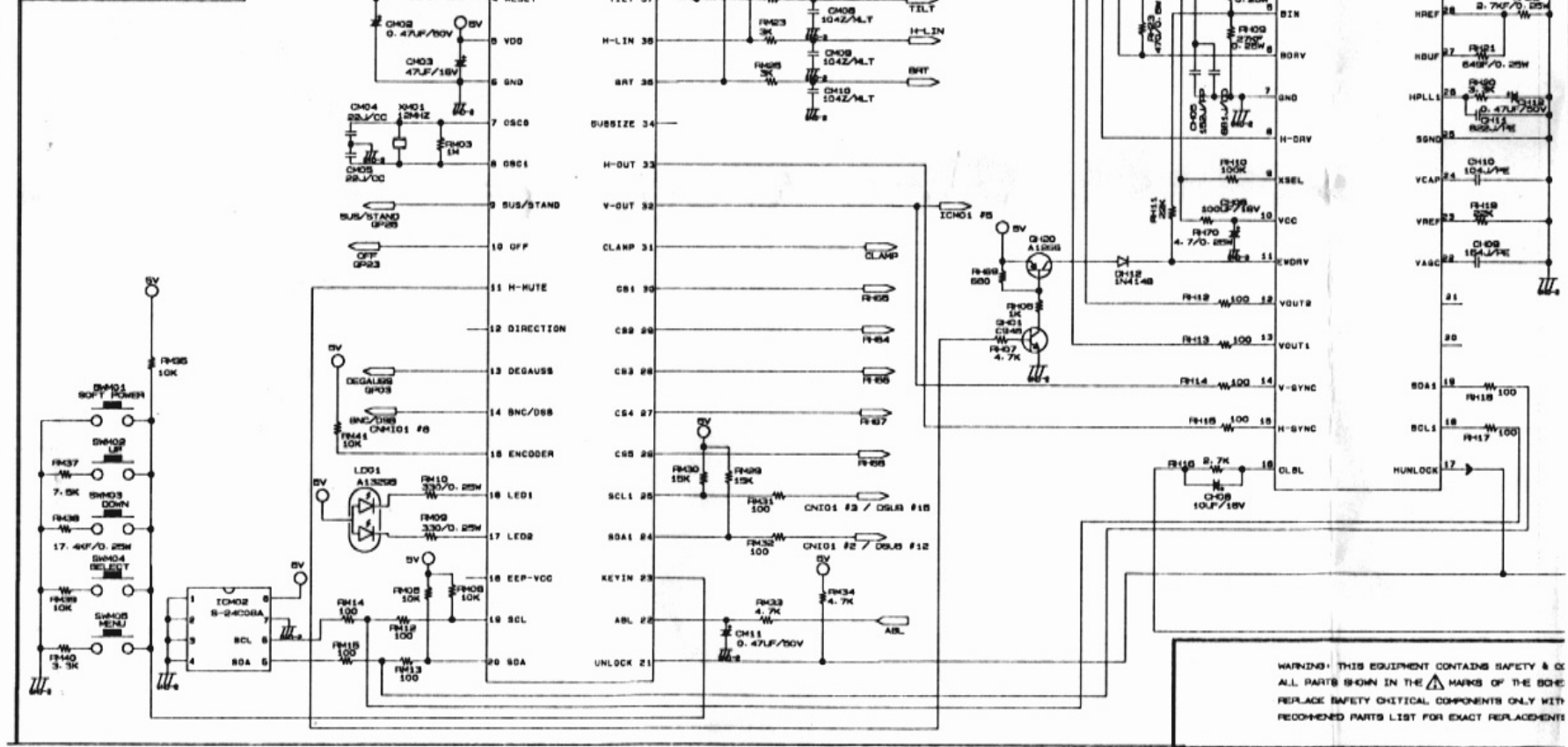
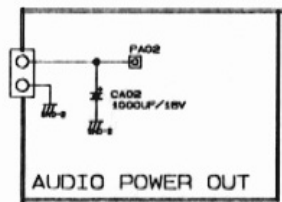
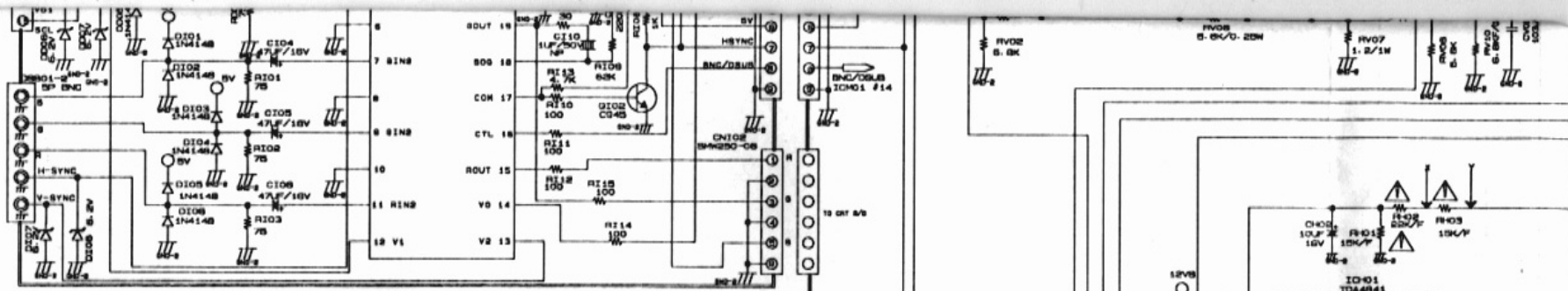


DSUB01-1 15P C988



PCB REV : 01





WARNING: THIS EQUIPMENT CONTAINS SAFETY & OR ALL PARTS SHOWN IN THE Δ MARKS OF THE SCHEMATIC REPLACE SAFETY CRITICAL COMPONENTS ONLY WITH RECOMMENDED PARTS LIST FOR EXACT REPLACEMENTS