

# Miniature UHF Transmitter



## Miniature UHF Transmitter, Model 50757TX-F

### Features

- Unconditionally stable
- Up to 9600 Baud
- Low power consumption
- Compact

### Benefits

- No extraneous signals and no spurs
- Can handle modest data rates
- Low current requirements
- Easily fits into most applications



*A Wireless Systems Company*

464 Hudson Terrace  
Englewood Cliffs, NJ 07632  
(201) 227-0066

19516 Amaranth Drive  
Germantown, MD 20874  
(301) 540-0700

[www.aerocomm.com](http://www.aerocomm.com)

# Index

Applications & Specifications

Block Diagram

Schematic & Electrical Component Parts List  
50757-04-13, PL50757-03-13

PCB Fabrication & Assembly  
50757-07-13, 50757-03-13

Mechanical Drawings  
757-0513, 757-0514

Mechanical Assembly  
757-02-11, PL 757-02-11

## Applications

The *AeroComm Miniature UHF Transmitter, Model 50757TX-F* is a frequency agile transmitter suitable for fixed, portable, and airborne applications. It operates in the 860 – 960 MHz frequency band. When used in conjunction with *AeroComm UHF Receiver Model 50757RX*, the transmitter creates a versatile communications link. This compact transmitter, when put into a weatherproof housing, can operate under the most adverse conditions.

This transmitter can be used in Multiple Address Systems where remote data can be sent to a central point over long distances.

RF exposure compliance is handled during licensing by the responsible FCC bureau(s). The installer of the antenna to be used with this transmitter may be required to perform an MPE evaluation and an Environmental Assessment (EA) of the location at the time of licensing per CFR 47 Part 1.1307. Additionally, fixed mounted antennae that are co-located with other antennae must satisfy the co-location requirements of Part 1.1307, for satisfying RF exposure compliance.

## Specifications

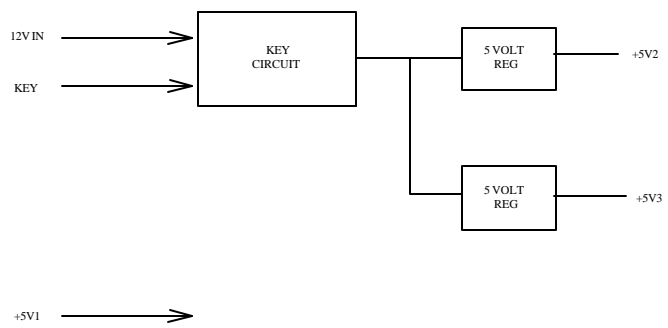
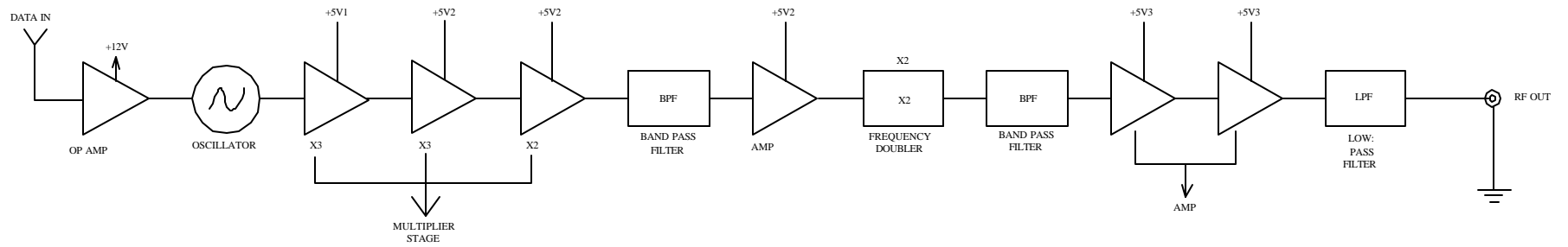
Frequency Range	860-960 MHz	+5 VDC Line	17 mA <sub>continuous</sub>
FCC Acceptance	Part 15 & Part 101 (pending)	+12 VDC Line	25 mA <sub>continuous</sub> / 170 mA <sub>transmit</sub>
Channel Spacing	25 kHz / 12.5 kHz (selectable)	Transmit Key Line	< 1mA @ 5 VDC
Number of Channels	4000 @ 25 kHz / 8000 @ 12.5 kHz	Continuous Transmission	YES
RF Power Out	100 mW (Part 90) / 1 mW (Part 15)	Key Time to Data Recovery	1.6 ms
Modulation	± 5 kHz (adjustable)	Reverse Polarity Protection	YES
Data Rate	up to 9600 bps	Temperature Range	-30 to +60 C
Frequency Stability	2 ppm	Size	4.85" x 2.2" x 0.6"
Spurious Output	< -40 dBm	Weight	4.45 oz.
Output Return Loss	> 15 dB	Connectors	RF Out SMB Male
Load VSWR	∞ no damage	+5V, +12V, KEY	1000 pf feed-thru cap
		Data	100 pf feed-thru cap

## Ordering Options

Power output	Option #
1mW	W0 (Part 15)
100mW	(Part 101)

DWB. NO. 50757-01-05 SH REV.

REVISIONS				
ZONE	LTR	DESCRIPTION	DATE	APPROVED



UNLESS OTHERWISE SPECIFIED: DIMENSIONS ARE IN INCHES TOLERANCES		CONTRACT NO.		AeroCom, Inc. ENGLEWOOD CLIFFS, N.J. <small>A Viasat Systems Company</small>	
DECIMALS XX ±N/A	ANGULAR ±N/A	DRAWN JP	DATE 2/20/01	BLOCK DIAGRAM 900 MHZ TRANSMITTER	
XXX ±N/A	DO NOT SCALE DRAWING	CHECKED			
MATERIAL:		ENGINEER A PAULINO		SIZE B	CAGE CODE
FINISH:		APPROVED		DRAWING NO. 50757-01-05	REV -
NEXT ASSY	USED ON	APPROVED		SCALE NONE	SHEET 1 OF 1
APPLICATION					

6

5

4

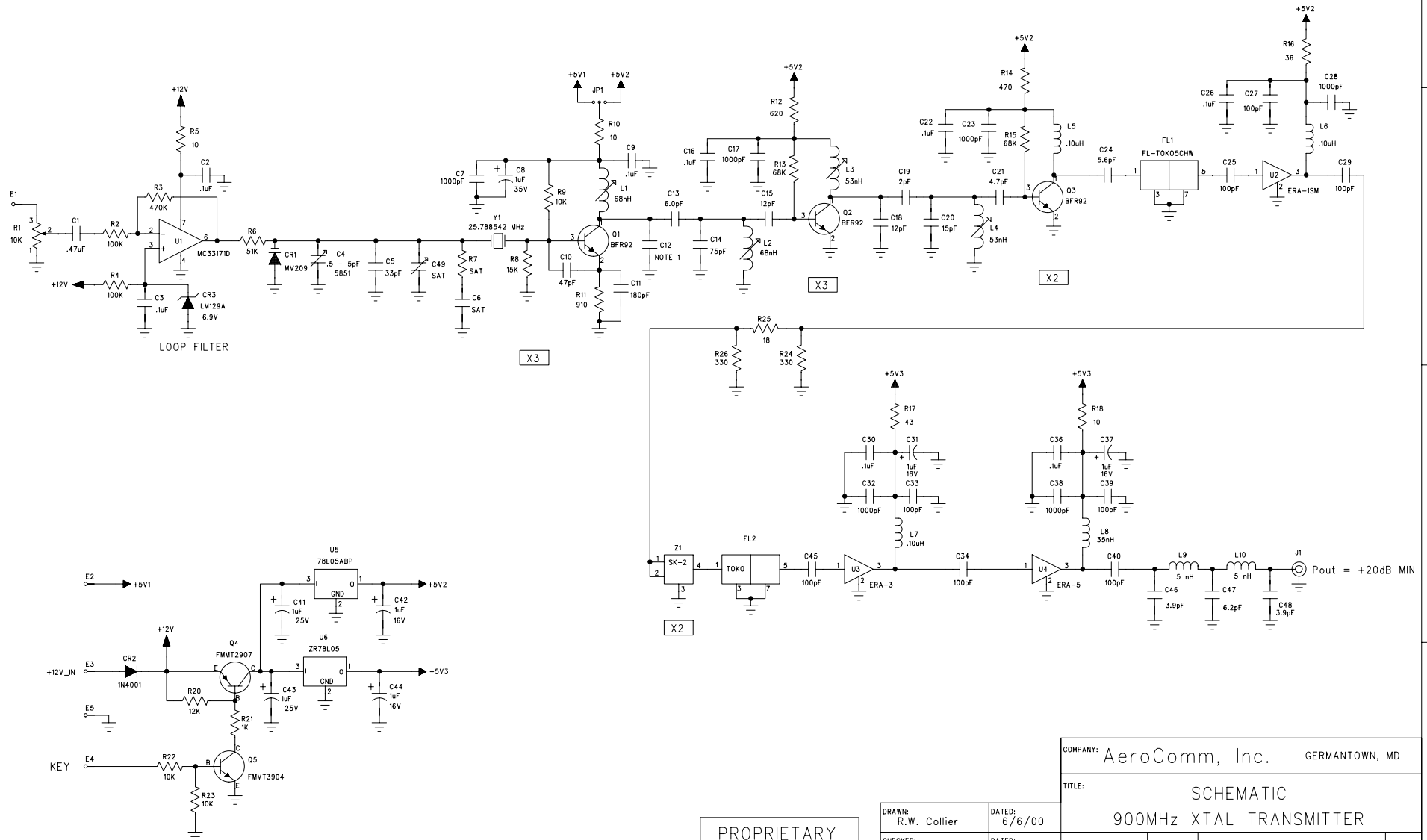
3

2

1

REVISION RECORD			
LTR	ECO NO:	APPROVED:	DATE:
A	RELEASED PER ER#	ACI-0199	5/23/00
B	REVISED PER ECN#	ACI-0156	9/18/00
C	REVISED PER ECN#	ACI-0180	10/26/00

NOTE 1:  
 FOR 928.3875 MHZ C12 IS 39pF.  
 FOR 869.500 MHZ C12 IS 75pF.



**PROPRIETARY**  
 This document is issued in strict confidence on condition that it is not copied, reprinted, or disclosed to a third party, wholly or in part, without written consent of AeroComm, Inc.

COMPANY: AeroComm, Inc.		GERMANTOWN, MD	
TITLE: SCHEMATIC 900MHz XTAL TRANSMITTER			
CODE:	SIZE: D	DRAWING NO: 50757-04-13	REV: C
FILE: 757-0413C		SHEET: 1 OF 1	

DRAWN: R.W. Collier	DATED: 6/6/00
CHECKED:	DATED:
QUALITY CONTROL:	DATED:
RELEASED:	DATED:

D

C

B

A


D

C

B

A

## PARTS LIST

<b>AeroComm, Inc</b> 19516 Amaranth Drive Germantown, MD 20874 301-540-0700 		MODEL / PRODUCT: NI-TECH	NEXT ASSY: 50757-02-11	ASSY TITLE: FIXED FREQ. TX	PART LIST / ASSY NO.: PL50757-03-13					
		PROGRAM MANAGER: JA	CHARGE #: C757	<b>NOTES:</b> 1. ALT. P/N A1P12, VOLTRONICS (.6-12pF) 2. BAND 1 : 477MS-1094A TOKO 860-910 MHz BAND 2 : 477MS-1036A TOKO 910-960 MHz 3. FOR FOUT OF 860-890 MHz USE 492S-1055A TOKO FOR FOUT OF 890-930 MHz USE 492S-1059A TOKO FOR FOUT OF 930-960 MHz USE 492S-1063A TOKO 4. C12 IS 39pF FOR 928.3875 MHZ (P/N: C17AH390J4TXL) C12 IS 75pF FOR 869.5 MHZ (P/N: C17AH750J4TXL) 5. REFER TO TEST PROCEDURE FOR VALUE RANGE						
		ISSUED BY: JJC	DATE: 9/18/2000							
		APPROVED BY:	DATE:							
		REV: D	DATE: 10/26/2000							
FILE: PL757-0313	ECN #: ACI-0180	EFFECTIVE DATE:								
ER #:	ACI-0199									
ITEM	REF DES	AeroComm P/N	MFR P/N	DESCRIPTION	QTY	VALUE	PREF	P/L	MFR	
		50757-03-13		ASSEMBLY DRAWING	REF				AEROCOMM	
		50757-04-13		SCHEMATIC	REF				AEROCOMM	
1		50757-07-13		PCB FAB	1				AEROCOMM	
2	U5		78L05ABP	VOLTAGE REG. +5V	1				MOTOROLA	
3	U6		ZR78L05C	VOLTAGE REG. +5V	1				ZETEX	
4	U4		ERA-5	MMIC AMPLIFIER	1				MINI-CIRCUITS	
5	Q1-3		BFR92	NPN HI FREQ XSTR	3				MOTOROLA	
6	C1		C1206C474K5RAC	CAP., CERAMIC CHIP	1	.47uF			KEMET	
7	C2-3 C9 ,C16 , C26 , C36		C1206C104K5RAC	CAP., CER CHIP	8	.1uF			KEMET	
8	C33-34 C39-40 C45		C11CF101J8TXL	CAP., PORCELAIN CHIP	5	100pF			DIELECTRIC	
9	C35		C11AH4R7J5TXL	CAP., PORCELAIN CHIP	1	4.7pF			DIELECTRIC	
10	C6	SEE NOTE 5	C17AHXXJ4TXL	CAP., PORCELAIN CHIP	1	SAT			DIELECTRIC	
11	C10		C17AH470J4TXL	CAP., PORCELAIN CHIP	1	47pF			DIELECTRIC	
12	C11		C17AH181J4TXL	CAP., PORCELAIN CHIP	1	180pF			DIELECTRIC	
13	C14		C17AH750J4TXL	CAP., PORCELAIN CHIP	1	75pF			DIELECTRIC	
14	C13		C17AH6R0J4TXL	CAP., PORCELAIN CHIP	1	6.0pF			DIELECTRIC	
15	C15 ,C18		C17AH120J4TXL	CAP., PORCELAIN CHIP	2	12pF			DIELECTRIC	

## PARTS LIST

AeroComm, Inc				ASSY TITLE:	PART LIST NO.: PL50757-03-13				
				FIXED FREQ. TX	REV: D				
ITEM	REF DES	AeroComm P/N	MFR P/N	DESCRIPTION	QTY	VALUE	PREF	SPL	MFR
16	C19		C17AH2R0B4TXL	CAP., PORCELAIN CHIP	1	2pF			DIELECTRIC
17	C20		C17AH150J4TXL	CAP., PORCELAIN CHIP	1	15pF			DIELECTRIC
18	C21		C17AH4R7J4TXL	CAP., PORCELAIN CHIP	1	4.7pF			DIELECTRIC
19	C24		C17AH5R6J4TXL	CAP., PORCELAIN CHIP	1	5.6pF			DIELECTRIC
20	C25 C29		C17AH101J4TXL	CAP., PORCELAIN CHIP	2	100pF			DIELECTRIC
21	C4	SEE NOTE 1	5851	CAPACITOR, VARIABLE	1	.5-5pF			JOHANSON
22	C31 C37 C42 C44		ECS-T1CY105R	CHIP CAP, TANT, 16V	4	1uF			PANASONIC
23	C41 C43		ECS-T1EY105R	CHIP CAP, TANT, 25V	2	1uF			PANASONIC
24	C7 C17 C23 C28 C32 C38		C1206C102J1GAC	CAP., CERAMIC CHIP	6	1000pF			KEMET
25	C27		C1206C101J1GAC	CAP., CERAMIC CHIP	1	100pF			KEMET
26	C5	SEE NOTE 5	C17CFXXB4TXL	CAP., CERAMIC DISC	1	SAT			DIELECTRIC
27	CR3		LM129A	ZENER REF DIODE	1				NATIONAL
28	CR2		1N4001	SMALL SIGNAL DIODE	1				
29	FL2	SEE NOTE 2		FILTER, 2 SEC. HEL.	1				TOKO
30	FL1	SEE NOTE 3		FILTER, 2 SEC. HEL.	1				TOKO
31	L5-7		PTL2012-FR10T	CHIP IND, 0805	3	.10uH			TOKO
32	L8		B09TJ	IND, MINI SPRING B	1	35nH			COILCRAFT
33	L3-4		E558CN-100048	MOLDED COIL	2	53nH			TOKO
34	L1-2		A638AN-0150Z	INDUCTOR, VAR SM	2	68nH			TOKO
35	C49	SEE NOTE 5	E330JR	CAP., CERAMIC DISK	1	SAT			UNKNOWN
36	JP1		PTC36SAAN	JUMPER BLOCK USING 3 PIN SIP HE	1				SULLINS
37	C8		T350A105K035AS	CAP., TANTALUM	1	1uF			KEMET
38	U1		MC33171D	LOW PWR SPLY AMPL.	1				MOTOROLA
39	Z1		SK-2	FREQUENCY DOUBLER	1				MINI-CIRCUITS

## PARTS LIST

AeroComm, Inc				ASSY TITLE: FIXED FREQ. TX	PART LIST NO.: PL50757-03-13				
					REV: D				
ITEM	REF DES	AeroComm P/N	MFR P/N	DESCRIPTION	QTY	VALUE	PREF	SPL	MFR
40	CR1		MV209	VLTG VAR. CAP. DIODE	1				MOTOROLA
41	R1		3339P-10K	RESISTOR, VAR.	1	10K			BOURNS
42	R2 R4		ERJ-8GCYJ104M	RES, CHIP	2	100K			PANASONIC
43	R3		ERJ-8GCYJ474M	RES, CHIP	1	470K			PANASONIC
44	R5 R10 R18		ERJ-8GCYJ100M	RES, CHIP	3	10			PANASONIC
45	R6		ERJ-8GCYJ513M	RES, CHIP	1	51K			PANASONIC
46	R11		ERJ-8GCYJ911M	RES, CHIP	1	910			PANASONIC
47	R12		ERJ-8GCYJ621M	RES, CHIP	1	620			PANASONIC
48	R13 R15		ERJ-8GCYJ683M	RES, CHIP	2	68K			PANASONIC
49	R14		ERJ-8GCYJ471M	RES, CHIP	1	470			PANASONIC
50	R16		ERJ-8GCYJ360M	RES, CHIP	1	36			PANASONIC
51	R8		ERJ-8GCYJ153M	RES, CHIP	1	15K			PANASONIC
52	R9		ERJ-8GCYJ103M	RES, CHIP	1	10K			PANASONIC
53									
54	R20		ERJ-8GCYJ123M	RES, CHIP	1	12K			PANASONIC
55	R21		ERJ-8GCYJ102M	RES, CHIP	1	1K			PANASONIC
56	R22-23		ERJ-8GCYJ103M	RES, CHIP	2	10K			PANASONIC
57									
58	R7		SAT	THERMISTOR, NTC	1	2K			KEYSTONE
59	U2		ERA-1SM	MONOLITHIC AMPL.	1				MINI-CIRCUITS
60	U3		ERA-3	MMIC AMPLIFIER	1				MINI-CIRCUITS
61									
62									
63	Q5		FMMT3904	NPN TRANSISTOR	1				DIG-KEY
64	Q4		FMMT2907	PNP TRANSISTOR	1				DIG-KEY



PARTS LIST

AeroComm, Inc				ASSY TITLE: FIXED FREQ. TX	PART LIST NO.: PL50757-03-13				
ITEM	REF DES	AeroComm P/N	MFR P/N	DESCRIPTION	QTY	VALUE	PREF	SPL	MFR
65	Y1		HT82287	CRYSTAL	1	25.788542 MHz			HI-Q
66			STC02SYAN	SHORTING JUMPER	1				SULLINS
67	L9 L10		A02T5	IND, MINI SPRING A	2	5nH			COILCRAFT
68	C46,C48		C11AH3R9B4TXL	CAP., PORCELAIN CHIP	2	3.9pF			DIELECTRIC
69	C47		C11AH6R2B4TXL	CAP., PORCELAIN CHIP	1	6.2pF			DIELECTRIC
70	R17		ERJ-8GCYJ430M	RES, CHIP	1	43			PANASONIC
71	C12	SEE NOTE 4		CAP., PORCELAIN CHIP	1				DIELECTRIC
72	R24 R26		ERJ-8GCYJ331M	RES, CHIP	2	330			PANASONIC
73	R25		ERJ-8GCYJ180M	RES, CHIP	1	18			PANASONIC
74									
75									
76									
77									
78									
79									
80									
81									
82									
83									
84									
85									
86									
87									
88									
89									

NOTES:

1. MATERIAL: SUBSTRATE .031 THICK COPPER CLAD TEFLON, PROD. # TLX-8-.031Q-E.0020-R1/R1, MFD BY TACONIC MICROWAVE DIV. FINISHED COPPER FOIL THICKNESS (AFTER PLATE-UP) SHALL BE 2 OZ/SQ FT MIN.
2. ELECTROPLATED COPPER SHALL BE USED FOR THE PLATE-THRU HOLES AND SHALL HAVE A MINIMUM THICKNESS OF .001" ON HOLE WALLS.
3. FINISH: ON EXPOSED TERMINAL AREAS ONLY, TIN LEAD PLATE OR SOLDER COAT USING MATERIAL CONTAINING A MINIMUM OF 60% TIN, COATING THICKNESS TO BE .0003 MINIMUM (INCLUDING HOLES). REFLOW SOLDER AFTER COATING. ALL REMAINING CONDUCTORS SHALL BE BARE COPPER.
4. CONDUCTOR PATTERN: REGISTRATION OF PATTERNS SHALL BE WITHIN .010 DIAMETER (RFS). MINIMUM ANNULAR RING AFTER DRILLING SHALL BE .006. PATTERN EDGES SHALL BE CLEARLY DEFINED AND NOT RAGGED. DEFECTS IN COPPER CONDUCTORS SHALL NOT REDUCE PATTERN WIDTHS BY GREATER THAN 20%.
5. ALL HOLES TO BE LOCATED WITHIN .010 DIAMETER OF TRUE POSITION OF FEATURE ON MASTER ARTWORK. HOLE DIAMETERS AND TOLERANCES SHOWN ARE AFTER PLATING.

HOLE TOLERANCES ARE:  
 .000 TO .032 DIA +.002/-.002  
 .033 TO .063 DIA +.004/-.002  
 .064 TO .200 DIA +.005/-.003

6. BOARD TO BE MANUFACTURED FROM MASTER ARTWORK 50757-07-13, REV B. BOARD TOPOGRAPHY IS SHOWN IN VIEW A-A. ARTWORK PLOTS ARE IDENTIFIED AS FOLLOWS:

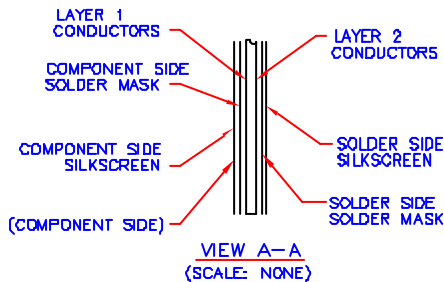
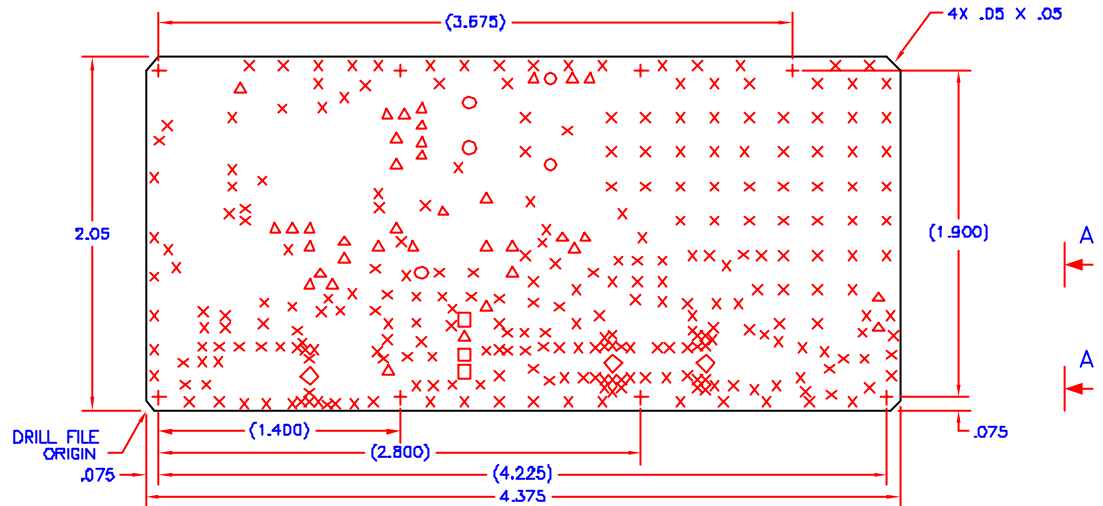
COMPONENT SIDE (LAYER 1)  
 SOLDER SIDE (LAYER 2)  
 COMPONENT SIDE SILKSCREEN  
 SOLDER SIDE SILKSCREEN  
 COMPONENT SIDE SOLDER MASK  
 SOLDER SIDE SOLDER MASK

7. THE BOARD IS TO BE MARKED WITH VENDOR SUPPLIED SCREENS.
8. PART MARKING TO BE STENCILLED AS SHOWN IN VIEW A-A USING NONCONDUCTIVE WHITE EPOXY INK.
9. GREEN SOLDER MASK IN ACCORDANCE WITH IPC-840 (LATEST REV.) SHALL BE APPLIED OVER BARE COPPER AS SHOWN IN VIEW A-A.
10. VENDOR MUST MEET UL RATING. THE VENDOR DESIGNATION AND DATE CODE SHALL BE ON THE SOLDER SIDE.
11. BOARD SHALL MEET ALL REQUIREMENTS OF IPC-800, CLASS 2, (LATEST REV.).
12. NO THERMAL RELIEF PATTERNS ARE TO BE USED ON GROUND PLANES.

REVISIONS			
LT#	DESCRIPTION	DATE	APPROVED
A	RELEASED PER ER# ACI-0199	1/14/00	
B	REVISED PER ECN# ACI-0180	10/26/00	

HOLE DATA				
TOOL	SYM	DESCRIPTION	PLATED	QTY
1	X	.025 DIA	YES	275
2	Δ	.035 DIA	YES	37
3	□	.035 DIA	NO	3
4	○	.043 DIA	YES	5
5	◇	.100 DIA	NO	3
6	+	.104 DIA	YES	8

DO NOT PLATE .035 DIA (3X) OR .100 DIA HOLES



-1	CAGE CODE	PART OR IDENTIFYING NO.	NOMENCLATURE OR DESCRIPTION	MATERIAL/SPECIFICATION	ITEM NO.
QTY REQD					

UNLESS OTHERWISE SPECIFIED: DIMENSIONS ARE IN INCHES TOLERANCES		DRAWN	
DECIMALS	ANGULAR	BY	DATE
.XX ±.01	± 1°	Dr. W. Collier	6/23/00
.XXX ±.005		DESIGNED	
DO NOT SCALE DRAWING		ENGINEER	
MATERIAL	1	APPROVED	
FINISH	3	APPROVED	
50757-03-13			
NEXT ASSY	USED ON		
APPLICATION			

**AeroComm, Inc.** GERMANTOWN, MD  
*A Wilson Systems Company*

PCB FABRICATION  
 900MHz FIXED TX

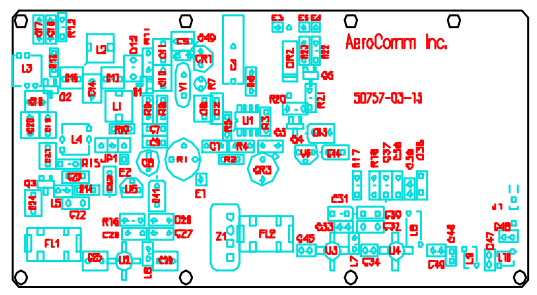
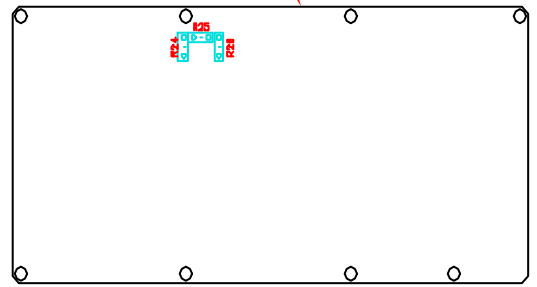
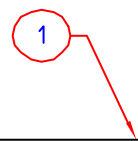
SIZE: C CAGE CODE: DWG NO.: 50757-07-13 REV. B  
 SCALE: 2/1 SHEET 1 OF 1

PART NO. 50757-07-13

**PROPRIETARY**

This document is issued in strict confidence on condition that it is not copied, reprinted, or disclosed to a third party, wholly or in part, without written consent of AeroComm, Inc.

REVISIONS				
ZONE	LTR	DESCRIPTION	DATE	APPROVED
A		RELEASED PER ER# ACI-0284	8/8/00	
B		REVISED PER ECN# ACI-0156	9/22/00	
C		REVISED PER ECN# ACI-0180	10/26/00	



**NOTES:**

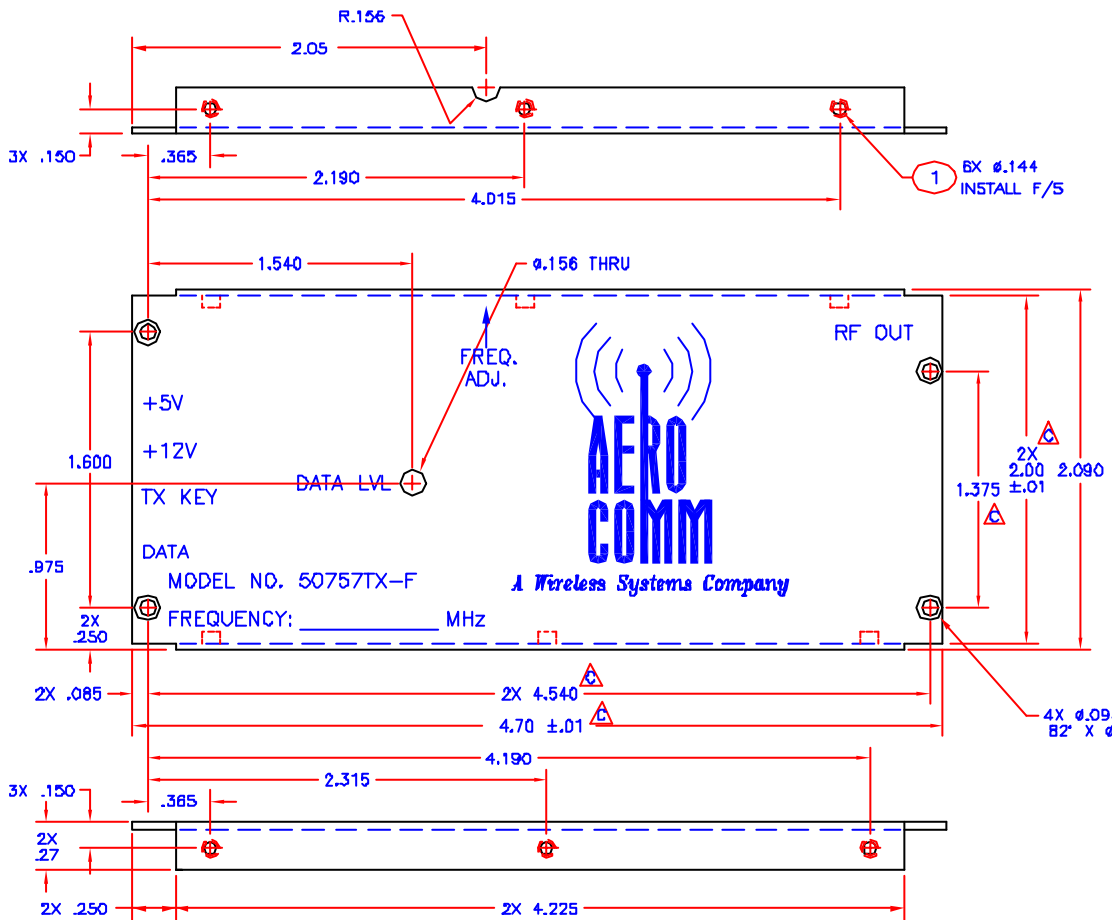
1. INTERPRET DRAWING IAW STANDARDS PRESCRIBED BY DOD-STD-100.
2. WORKMANSHIP SHALL BE IAW MIL-STD-454, REQ'T 9.
3. THIS ASSEMBLY CONTAINS ESDS ITEMS. USE PROPER HANDLING PROCEDURES IAW MIL-STD-1686.
4. UNLESS OTHERWISE SPECIFIED:  
ELEC. COMPONENTS ARE IDENTIFIED BY REFERENCE DESIGNATIONS.  
SQUARE PAD INDICATES PIN 1 OF APPROPRIATE COMPONENTS, eg. + SIDE OF ELECTROLYTIC CAPACITORS, CATHODE END OF DIODES, FOR CORRECT ORIENTATION OF SYMMETRICAL PARTS.
5. MOUNT CAPACITORS AND TRANSISTORS .03"-.06" ABOVE BOARD SURFACE.
6. DO NOT IMMERSER OR WASH VARIABLE CAPACITORS, VARIABLE INDUCTORS VARIABLE RESISTORS OR DIP SWITCHES.  
INSTALL THOSE COMPONENTS LAST AND HAND WASH.
7. SYMBOL INDICATES COMPONENT WITH FERRITE BEAD ON ONE LEAD.  
 SYMBOL INDICATES COMPONENT WITH FERRITE BEAD ON BOTH LEADS.
8. MASK EXPOSED SOLDER PLATING ON PERIPHERY OF PCB ON SOLDER SIDE TO PREVENT BUILDUP OF SOLDER WHEN WAVE SOLDERING.

SEE SEPARATE PARTS LIST

		UNLESS OTHERWISE SPECIFIED DIMENSIONS ARE IN INCHES TOLERANCES		CONTRACT NO.		GERMANTOWN, MD A Wireless Systems Company	
		DECIMALS	ANGULAR	DRAWN	DATE		
		.XX ±	±	JJC	6/23/00	PCB ASSEMBLY	
		.XXX ±		CHECKED		900 MHz FIXED TX	
		DO NOT SCALE DRAWING		ENGINEER		SIZE	REV
		MATERIAL:		APPROVED		B	C
50757-02-11		FINISH:		APPROVED		CAGE CODE	DRAWING NO.
NEXT ASSY	USED ON	FILE:		APPROVED		50757-03-13	900 MHz FIXED TX
APPLICATION		757-0313C				SCALE	SHEET
						2/1	1 OF 1



REVISIONS			
LT#	DESCRIPTION	DATE	APPROVED
A	RELEASED PER ER# ACI-0199	6/23/00	
B	CHANGED PER ECN# ACI-0120	7/20/00	
C	CHANGED PER ECN# ACI-0131	8/31/00	



- NOTES:
1. APPLICABLE STANDARDS/SPECIFICATIONS:  
ANSI Y14.5-1982, DIMENSIONING AND TOLERANCING
  2. REMOVE BURRS AND BREAK SHARP EDGES .02 RADIUS OR CHAMFER.
  3. MATERIAL: .040 THICK ALUMINUM ALLOY SHEET, 5052-H32.
  4. FINISH: CHEMICAL FILM PER MIL-C-5541, CLASS 3.
  5. SILKSCREEN WITH BLACK EPDXY INK USING DWG #50757-D7-14.

6	UL-256-1	MIN. SELF-CLINCHING NUT, #2-56 UNC	PENN ENGRG & MFG	1	
QTY REQD	CAGE CODE	PART OR IDENTIFYING NDL	DESCRIPTION OR NOMENCLATURE	MATERIAL/SPECIFICATION	ITEM NO.

UNLESS OTHERWISE SPECIFIED: DIMENSIONS ARE IN INCHES TOLERANCES		DRAWING NDL
DECIMALS	ANGULAR	DRAWN
.XX ±.02	± 1°	B. W. Collier
.XXX ±.005		DATE
ØØ NOT SCALE DRAWING		6/22/00
MATERIAL:		DESIGNED
		ENGINEER
FINISH:		APPROVED
		APPROVED
50757-02-11		
NEXT ABSY	USED ON	
APPLICATION		

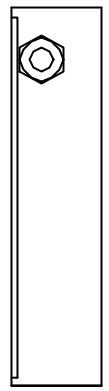
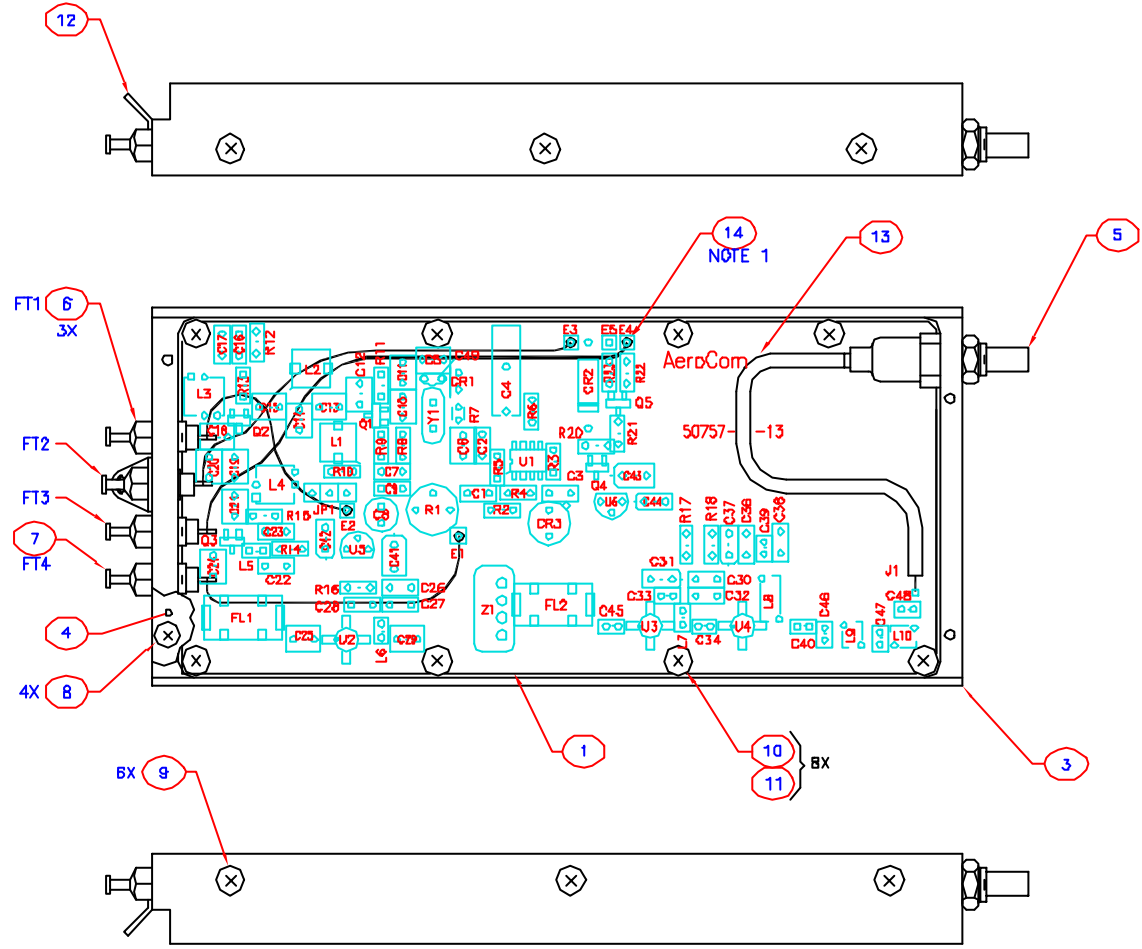
**AeroComm, Inc.** GERMANTOWN, MD  
A Wireless Systems Company

**COVER  
FIXED FREQ. TX**

SIZE	CAGE CODE	DWG NDL	REV.
C		50757-05-14	C
SCALE: 2/1	SHEET 1 OF 1		

PART NO. 50757-05-14

REVISIONS			
LT#	DESCRIPTION	DATE	APPROVED
A	RELEASED PER ER# ACI-0284	8/8/00	
B	CHANGED PER ECN# ACI-0156	9/22/00	
C	CHANGED PER ECN# ACI-0181	10/26/00	



NOTES:  
 1. POSITION A FERRITE BEAD ON EACH WIRE WHERE THE WIRE SOLDERS INTO PCB. SECURE BEAD ON WIRE USING RTV OR CYANOACRYLATE ADHESIVE.


FROM	TO	COLOR	FUNCTION
FT1	E2	ORN	+5V
FT2	E3	RED	+12V
FT3	E4	YEL	KEY
FT4	E1	BLU	DATA

**PROPRIETARY**  
 This document is issued in strict confidence as condition that it is not copied, reprinted, or disclosed to a third party, wholly or in part, without written consent of AeroComm, Inc.

-1		CAGE CODE	PART OR IDENTIFYING NO.	DESCRIPTION OF PARTS LIST	MATERIAL/SPECIFICATION	ITEM NO.
QTY REQD						
UNLESS OTHERWISE SPECIFIED: DIMENSIONS ARE IN INCHES TOLERANCES DECIMALS ANGULAR				DRAWING NO. DATE		
XXX ± ±				B.W. Collier 8/7/00		
XXX ± ±				DESIGNED		
DD NOT SCALE DRAWING				ENGINEER		
MATERIAL:				APPROVED		
FINISH:				APPROVED		
FILE:				APPROVED		
NEXT ABSY		USED ON		SCALE: 2/1		
APPLICATION		757-0211C		SHEET 1 OF 1		
<b>AeroComm, Inc.</b> <small>A Texas Systems Company</small> GERMANTOWN, MD <b>ASSEMBLY</b> <b>FIXED FREQ. 900 MHz TX</b>				SIZE: C CAGE CODE: DIV# NO.: 50757-02-11 REV. C		

PART NO. 50757-02-11

## PARTS LIST

<b>AeroComm, Inc</b> 19516 Amaranth Drive Germantown, MD 20874 301-540-0700 		MODEL / PRODUCT: 900MHz TX	NEXT ASSY: TOP	ASSY TITLE: FIXED FREQ 900MHz TX	PART LIST / ASSY NO.: PL50757-02-11				
		PROGRAM MANAGER: JA	CHARGE #: C814	NOTES:					
		ISSUED BY: RWC	DATE: 8/7/2000						
		APPROVED BY:	DATE:						
		REV: A	DATE: 8/7/2000						
		FILE: PL757-0211A ER #: ACI-0284	ECN #:						
ITEM	REF DES	AeroComm P/N	MFR P/N	DESCRIPTION	QTY	VALUE	PREF	P/L	MFR
		50757-02-11		ASSEMBLY DRAWING	REF				AEROCOMM
1		50757-03-13		PCB ASSY, TX	1				AEROCOMM
2									
3		50757-05-13		HOUSING	1				AEROCOMM
4		50757-05-14		COVER	1				AEROCOMM
5			131-3593-401	CONNECTOR, SMB	1				JOHNSON
6	FT1-FT3		2425-001-X5UO-102AA	CAP FEED THRU #8-32	3	1000pF			TUSONIX
7	FT4		2425-001-X5UO-101AA	CAP FEED THRU #8-32	1	100pF			TUSONIX
8			91771A065	SCREW, #1-64 x 3/16 FH	4				McMASTER
9			91771A076	SCREW, #2-56 x 3/16 FH	6				McMASTER
10			91772A076	SCREW, #2-56 x 3/16 PH	8				McMASTER
11			91475A003	WASHER, SPLIT LOCK #2	8				McMASTER
12			707-1608	GROUND LUG #8	1				CONCORDE
13			1671A	CABLE, COAX RG405	4"				BELDEN
14			56-590-65/3B-C	BEAD FERRITE	4				ELNA

