



360 Herndon Parkway  
Suite 1400  
Herndon, VA 20170  
<http://www.rheintech.com>

**COMPANY:** AeroComm, Inc.  
**FCC ID:** PJ6-5075TX-F90  
**MODEL:** 5075TX-F  
**WORK ORDER:** 2001007 / QRTL00-1020 {REV-1}

## APPENDIX E: SCHEMATIC

6

5

4

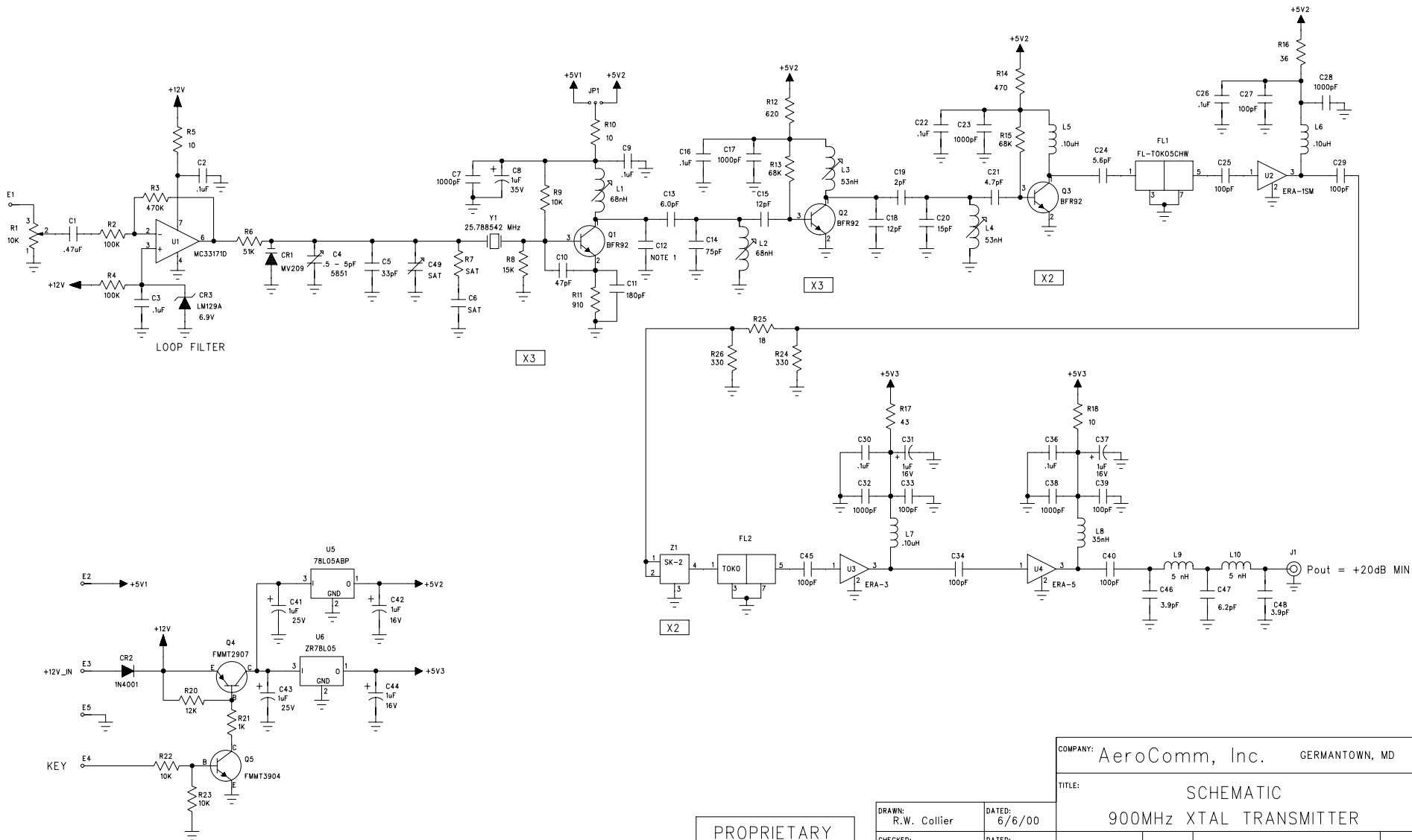
3

2

1

REVISION RECORD			
LTR	ECO NO:	APPROVED:	DATE:
A	RELEASED PER ER#	ACI-0199	5/23/00
B	REVISED PER ECN#	ACI-0156	9/18/00
C	REVISED PER ECN#	ACI-0180	10/26/00

NOTE 1:  
 FOR 928.3875 MHZ C12 IS 39pF.  
 FOR 869.500 MHZ C12 IS 75pF.



**PROPRIETARY**  
 This document is issued in strict confidence on condition that it is not copied, reprinted, or disclosed to a third party, wholly or in part, without written consent of AeroComm, Inc.

DRAWN: R.W. Collier	DATED: 6/6/00
CHECKED:	DATED:
QUALITY CONTROL:	DATED:
RELEASED:	DATED:

COMPANY: AeroComm, Inc. GERMANTOWN, MD	
TITLE: SCHEMATIC 900MHz XTAL TRANSMITTER	
CODE:	SIZE: D
DRAWING NO: 50757-04-13	REV: C
FILE: 757-0413C	SHEET: 1 OF 1

D

C

B

A

D

C

B

A