



**Raymarine UK Limited**

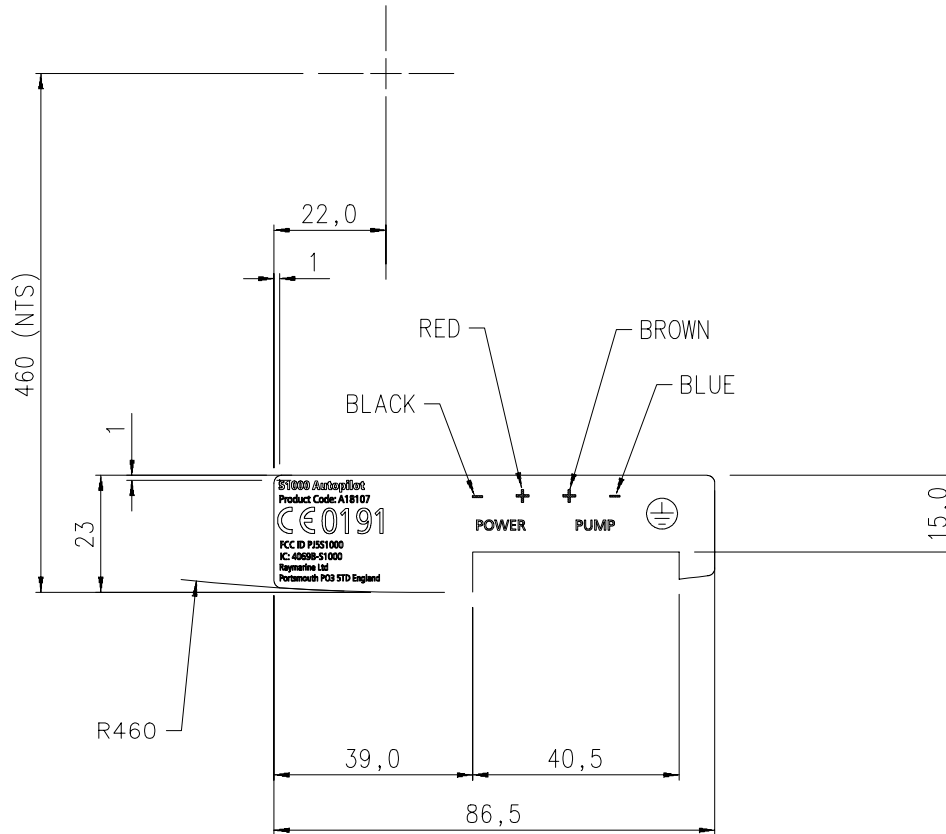
**S1000 Autopilot**

Label Drawing and Location

FCC ID PJ5S1000

IC: 4069B-S1000

USED ON: 5590-001



1. MATERIAL: CLEAR POLYCARBONATE (LEXAN FILM 8A35) 250 MICRONS.
2. FINISH: VELVET / POLISHED.
3. UNDERSURFACE PRINTED, SELF ADHESIVE BACKED (REF. 3M 468MP HIGH PERFORMANCE).
4. COLOUR SPECIFICATIONS  
 BACKGROUND: COLOUR MATCHED TO GE 96441.  
 'Text' SEGMENTS WHITE SERICOL INK MG 025 (COLOUR MATCHED TO PANTONE WHITE).  
 'Red' SEGMENTS RED SERICOL INK MG121 (COLOUR MATCHED TO PANTONE WARM RED).  
 'Black' SEGMENTS BLACK SERICOL INK COIM137611 (COLOUR MATCHED TO PANTONE BLACK).  
 'Brown' SEGMENTS BROWN SERICOL INK COIM135081 (COLOUR MATCHED TO PANTONE BROWN 161c).  
 'Blue' SEGMENTS BLUE SERICOL INK COIM135078 (COLOUR MATCHED TO PANTONE BLUE 300c).
5. LABEL AREA TO BE FREE FROM SCRATCHES AND BLEMISHES.
6. PUNCHED OUT AREA TO BE BURR FREE.
7. REFER TO ART WORK 3032-808.
8. THIS DRAWING IS THE MASTER DOCUMENT AND ELECTRONIC DATA IS AVAILABLE ON REQUEST.

E	PRODUCT CODE CHANGED BG	22-Nov-04
D	COLOURS BROWN AND BLUE ADDED BG	15-Nov-04
C	PUMP AND POWER POLARITY REVERSED BG	19-Oct-04
B	PUMP WIRES REVERSED BG	22-Sept-04
A	FIRST ISSUE	ORIGINAL
ISS	DESCRIPTION OF CHANGE	DATE

ITEM No	DRG/PART No	QTY	DESCRIPTION
PARTS LIST			
		THE INFORMATION CONTAINED HEREIN SHALL NOT BE REPRODUCED WITHOUT THE PRIOR WRITTEN PERMISSION OF RAYMARINE LTD	
		TOLERANCES UNLESS OTHERWISE STATED X ±0,50 MACHINING: 1,6 / SURFACE ∇ .X ±0,25 .XX ±0,10 SHARP INTERNAL CORNERS TO HAVE RADIUS 0,4 MAX .XXX ±0,05 ANGLES ±1° (EXCL DRAFT) DEBURR ALL EDGES DIMENSIONS IN MM SCALE: 1:1	

DRAWN TO BS308 DO NOT SCALE - IF IN DOUBT ASK  
 MATERIAL SEE NOTE  
 FINISH SEE NOTE

TITLE LABEL, S1000 COURSE COMPUTER  
 DRAWING No. 3029-526  
 SHT 1 OF 1



**S1000 Autopilot – FCC and IC Label Location**