



## Raymarine Limited

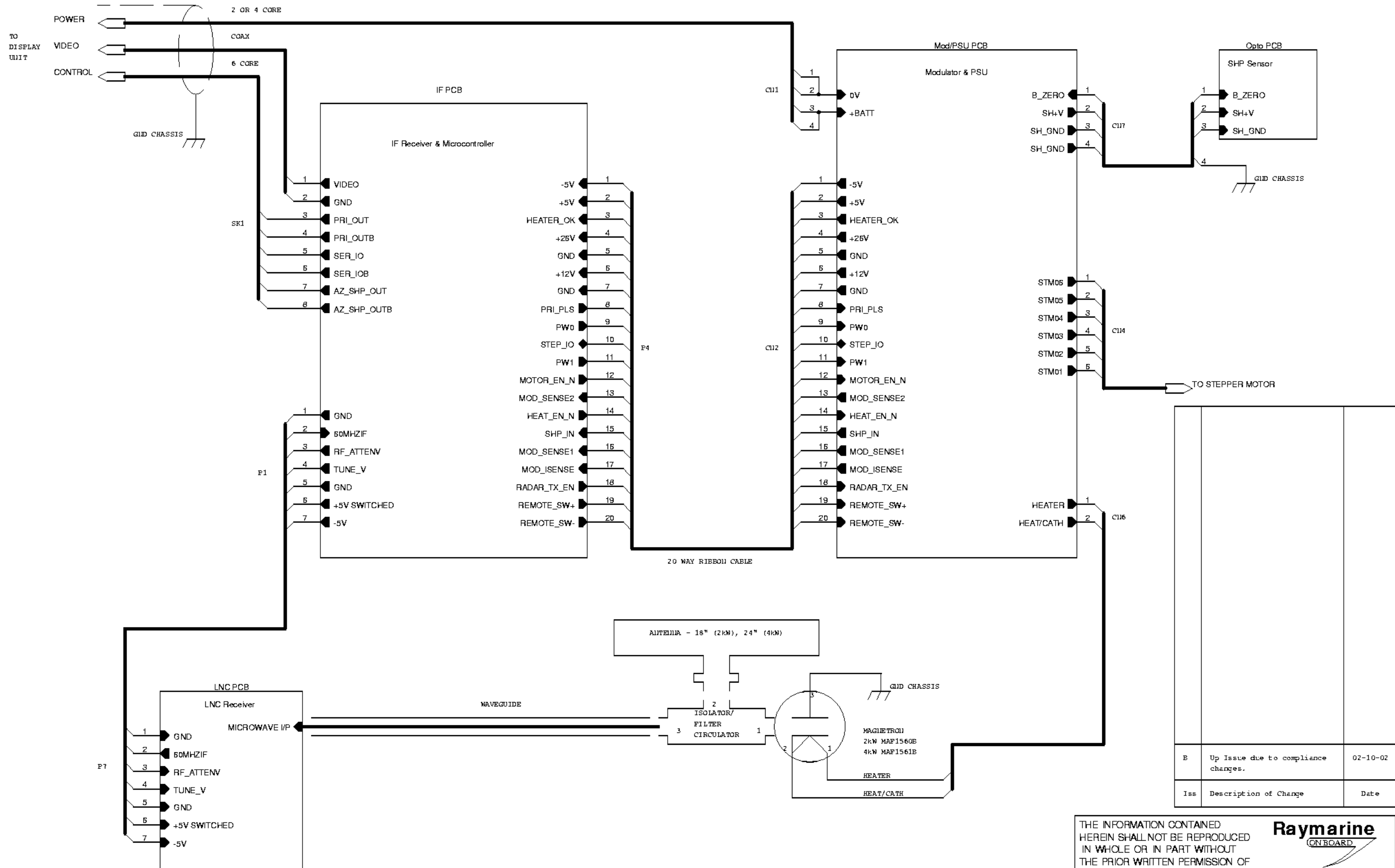
### 2kW and 4kW Radome Radars

FCC ID: PJ5MTX2-S3 & PJ5MTX4-S3 respectively

### Schematics

#### Index

Scanner Interconnect	4473-011	Sht. 1	
Modulator/PSU	4473-002	Sht. 1	Modulator/PSU (Top Level)
		Sht. 2	Power I/P Filter
		Sht. 3	Main PSU
		Sht. 4	Modulator
		Sht. 5	Ships Heading Interface
		Sht. 6	Stepper Motor
Low Noise Converter (LNC)	4346-028	Sht. 1	
IF Receiver	4473-004	Sht. 1	IF Receiver (Top Level)
		Sht. 2	IF Strips
		Sht. 3	IF Log Det/Video
		Sht. 4	Scanner Micro
		Sht. 5	Control Interface
		Sht. 6	STC Generator



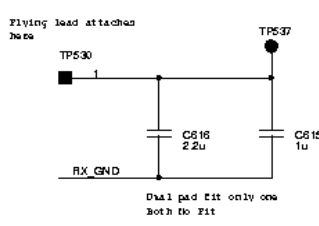
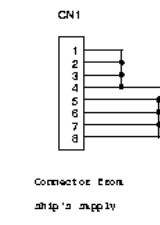
THE INFORMATION CONTAINED HEREIN SHALL NOT BE REPRODUCED IN WHOLE OR IN PART WITHOUT THE PRIOR WRITTEN PERMISSION OF RAYMARINE LTD.

**Raymarine**  
ONBOARD

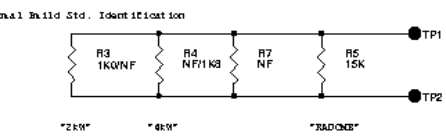
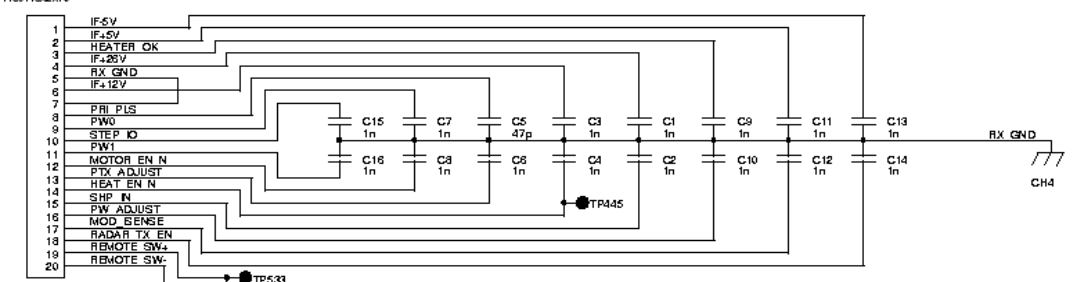
© 2001 Raymarine Ltd.

Title: PATHFINDER RADOME UPDATE SCANNER INTERCONNECTION

Size: A3	Document Number: 4473-011	Drawn: DAVE BERRY	Iss: B
		Checked: CHRIS BIRD	
		Approved:	
Date: Wednesday, October 02, 2002		Sheet: 1 of 1	



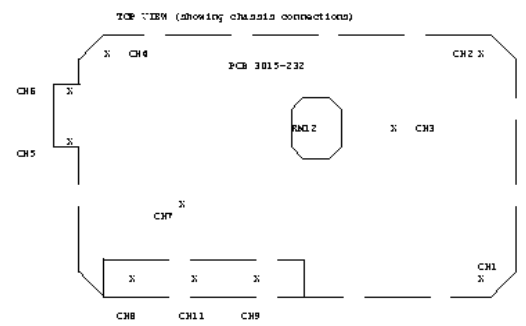
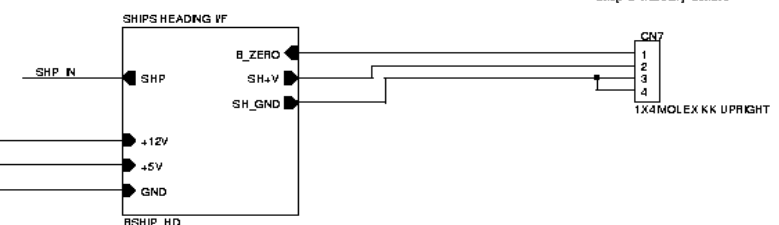
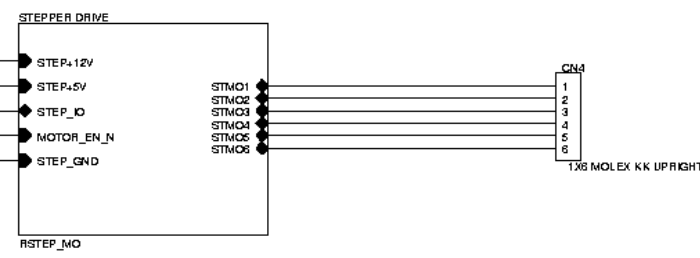
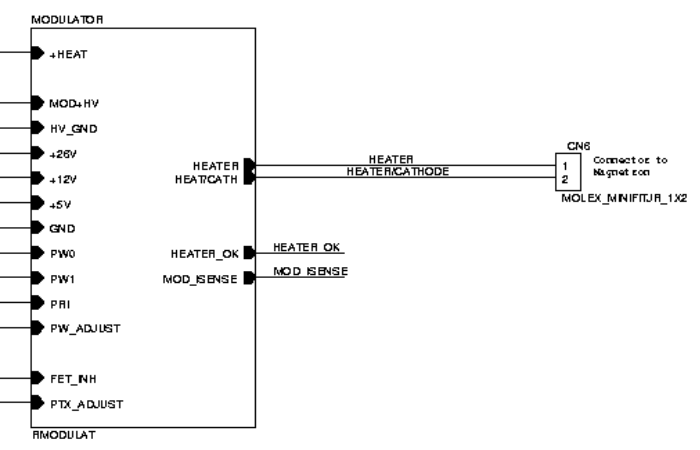
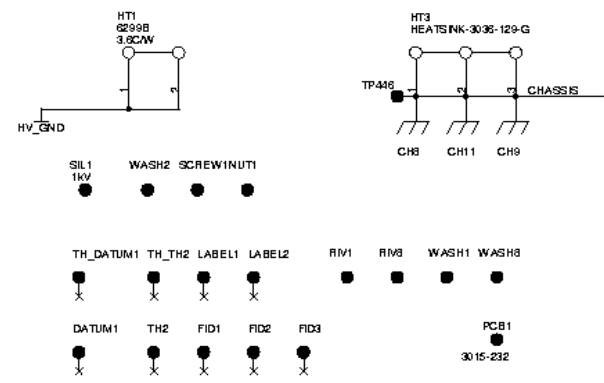
Connector to  
IF Board  
PicoFlex2x10



Board Schematic Part Field Allocation:

- #1 Footprint
- #2 Build Option (2K, 4K, ALL, 10K)
- #3 To be known/Rating
- #4 not used
- #5 not used
- #6 20W Radome Build Option p/n
- #7 40W Radome Build Option p/n
- #8 not used

Note:  
Some part values change with build type  
these are written as 20K, 40K



Issue	Description of Change	Date
X	Mod M-02-0052 refers to alterations due to low voltage switch on problems X189 changes to 100K X190 changes to 47K Still refers to Issue B PCB	21/08/02
G	Mod M-01-0132 refers to alterations due to false triggering X299 changes to 1K X381 changes to 2K Still refers to Issue B PCB Swap U600 and U602 positions	27/05/02
F	Mod M-01-0112 refers to alterations due to BNC changes X621 changes to 330K C616 becomes no fit Flying Lead Assy removed Still refers to Issue B of PCB	25/09/01
H	Test Points with caps. higher than 600 inc. changed to be 500's Still refers to Issue B of PCB	12/03/01
D	Alterations due to BNC failures Refers to Issue B of PCB	20/02/01
C	Connections to previous issue	05/02/01
B	Refers to Issue A of PCB	11/10/00
Axx	Initial draft	01/08/00
Issue	Description of Change	Date

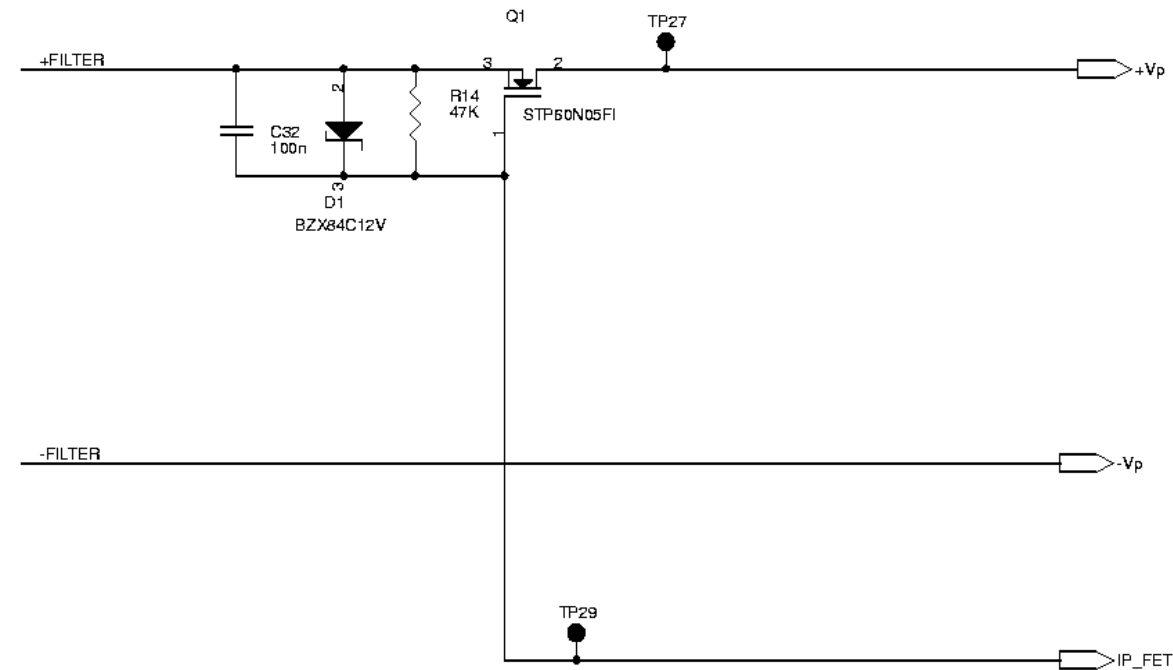
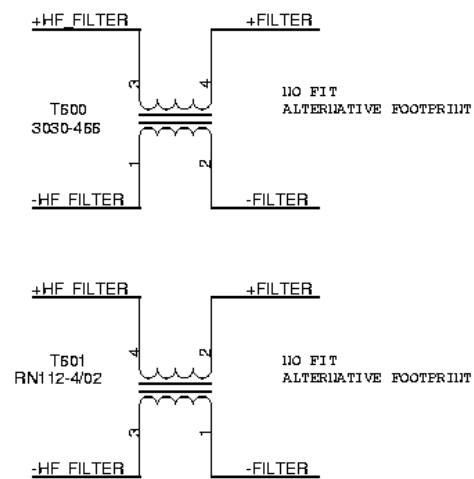
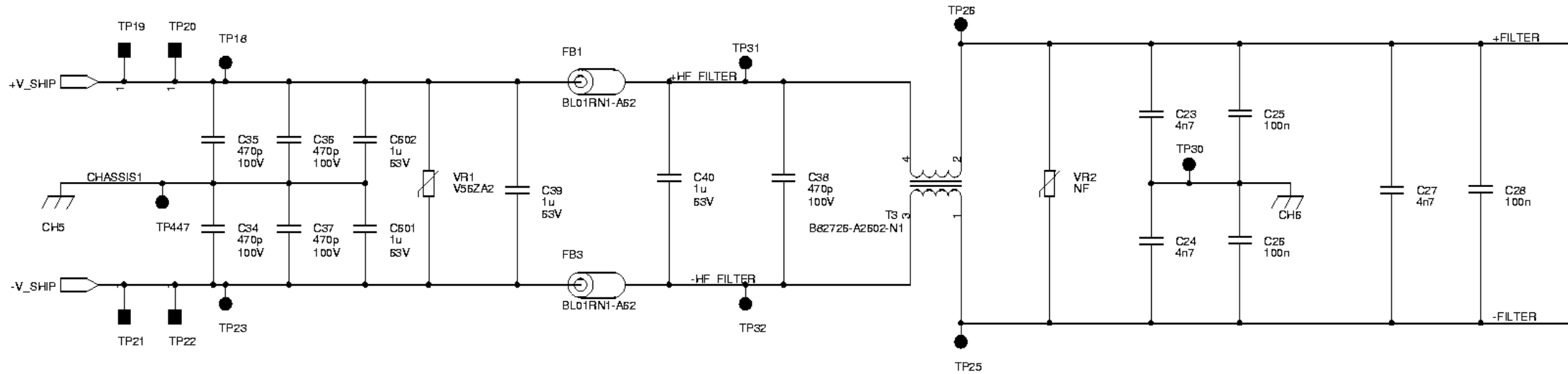
THE INFORMATION CONTAINED HEREIN SHALL NOT BE REPRODUCED IN WHOLE OR IN PART WITHOUT THE PRIOR WRITTEN PERMISSION OF RAYMARINE LTD.

**Raymarine**  
ONBOARD

© 2001 Raymarine Ltd.

Title: Pathfinder Radar - Radome2 Modulator

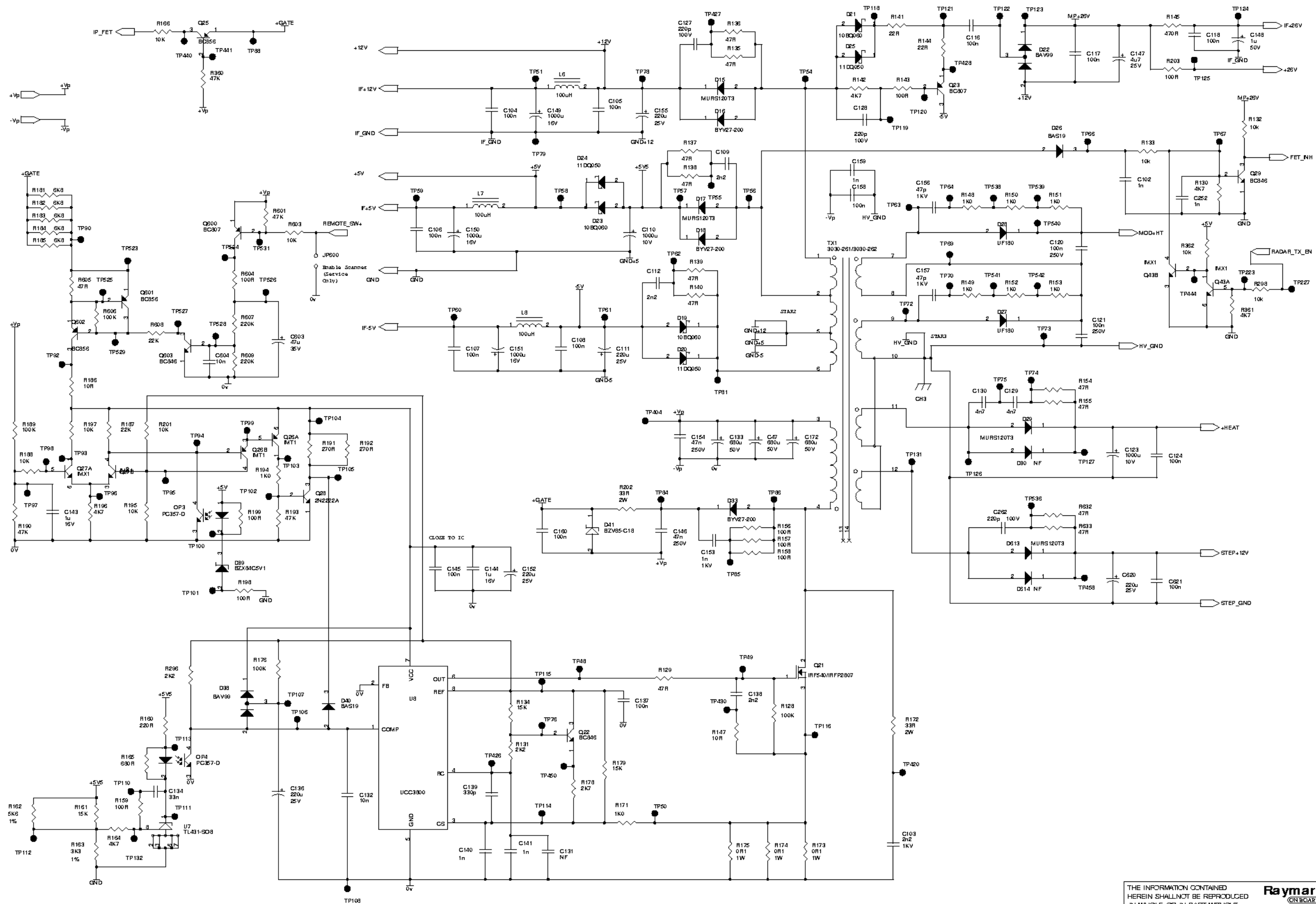
Issue A2	Document Number 4473-002	Down Checked	Iss. H
Date: Wednesday, August 21, 2002	Approved Sheet	1 of 6	



THE INFORMATION CONTAINED  
HEREIN SHALL NOT BE REPRODUCED  
IN WHOLE OR IN PART WITHOUT  
THE PRIOR WRITTEN PERMISSION OF  
RAYMARINE LTD.

**Raymarine**  
ON BOARD  
© 2001 Raymarine Ltd.

Title POWER I/P FILTER			
Size A3	Document Number 4473-002	Drawn	Iss. H
		Checked	
		Approved	
Date: Wednesday, August 14, 2002	Sheet 2	of 6	



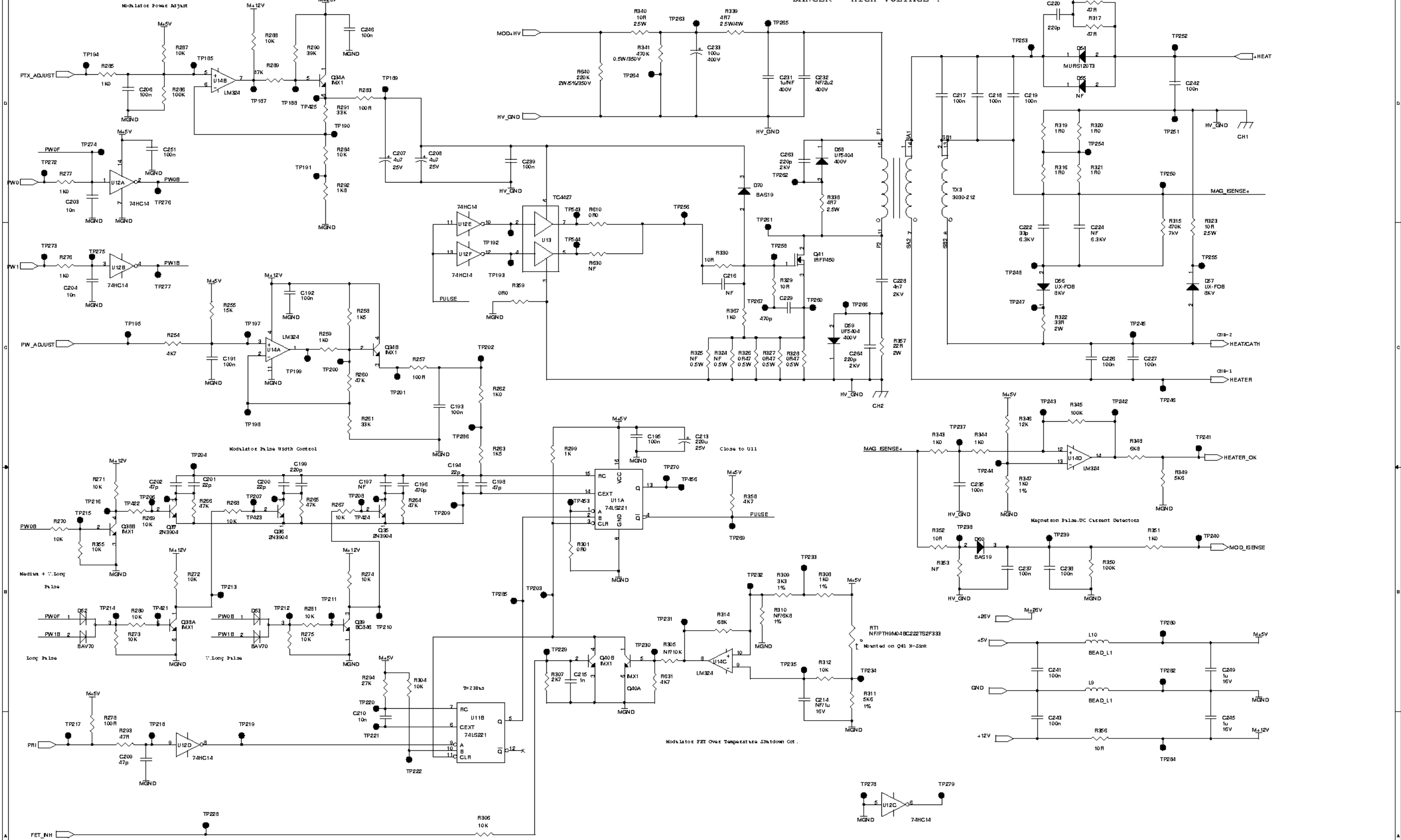
THE INFORMATION CONTAINED  
HEREIN SHALL NOT BE REPRODUCED  
IN WHOLE OR IN PART WITHOUT  
THE PRIOR WRITTEN PERMISSION OF  
RAYMARINE LTD.

**Raymarine**  
ONBOARD

© 2001 Raymarine Ltd.

Title	Main PSU	Drawn		Iss.
Size	A2	Document Number	4473-002	Checked
Date	Wednesday, August 14, 2002	Approved		H
		Sheet	3	of 6

⚠ DANGER - HIGH VOLTAGE !

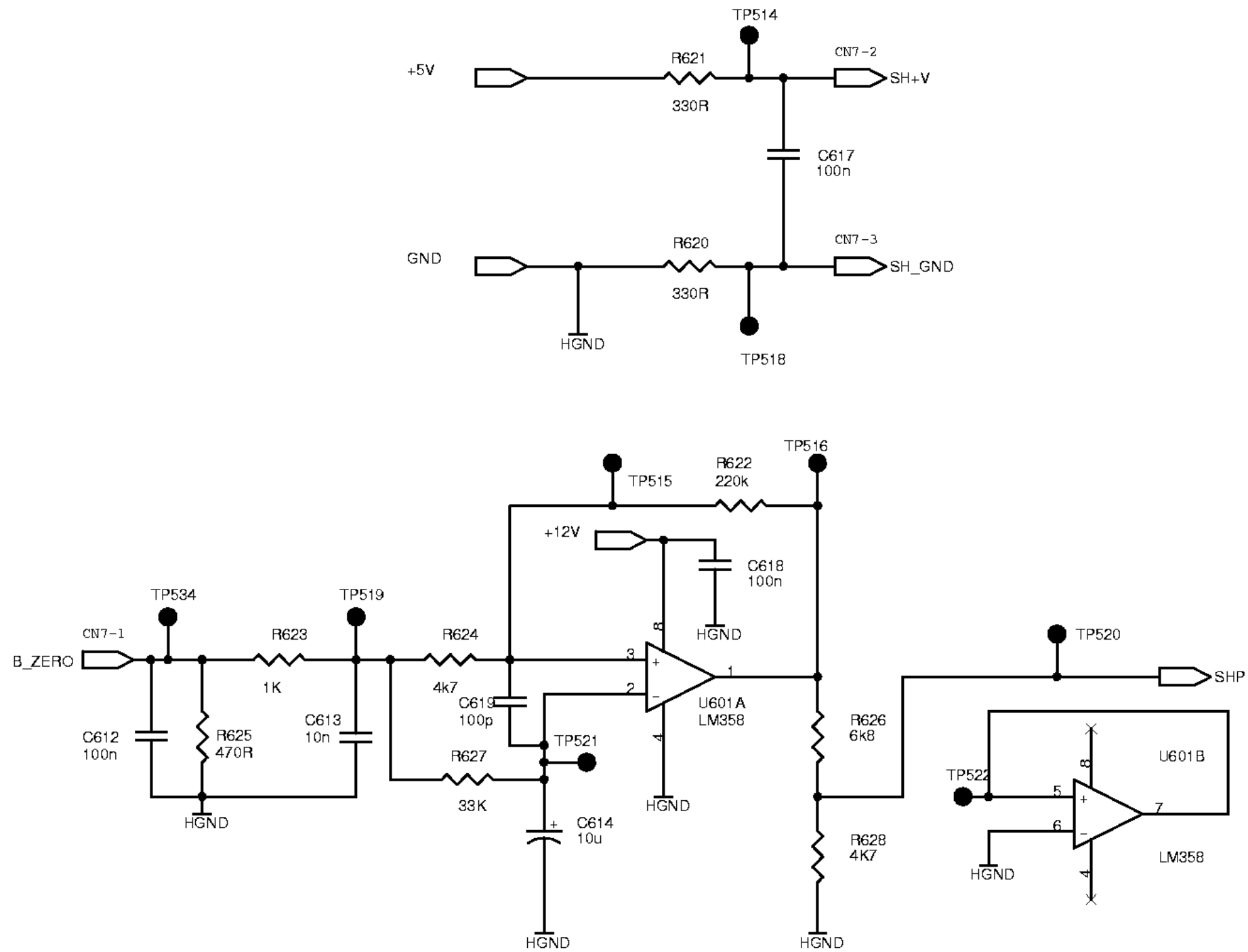


THE INFORMATION CONTAINED  
HEREIN SHALL NOT BE REPRODUCED  
IN WHOLE OR IN PART WITHOUT  
THE PRIOR WRITTEN PERMISSION OF  
RAYMARINE LTD.

**Raymarine**  
ONBOARD

© 2001 Raymarine Ltd.

Title	MW11 Modulator
Size	A2
Document Number	4473-002
Checked	_____
Drawn	_____
Approved	_____
Date	Wednesday, August 14, 2002
Sheet	4 of 6

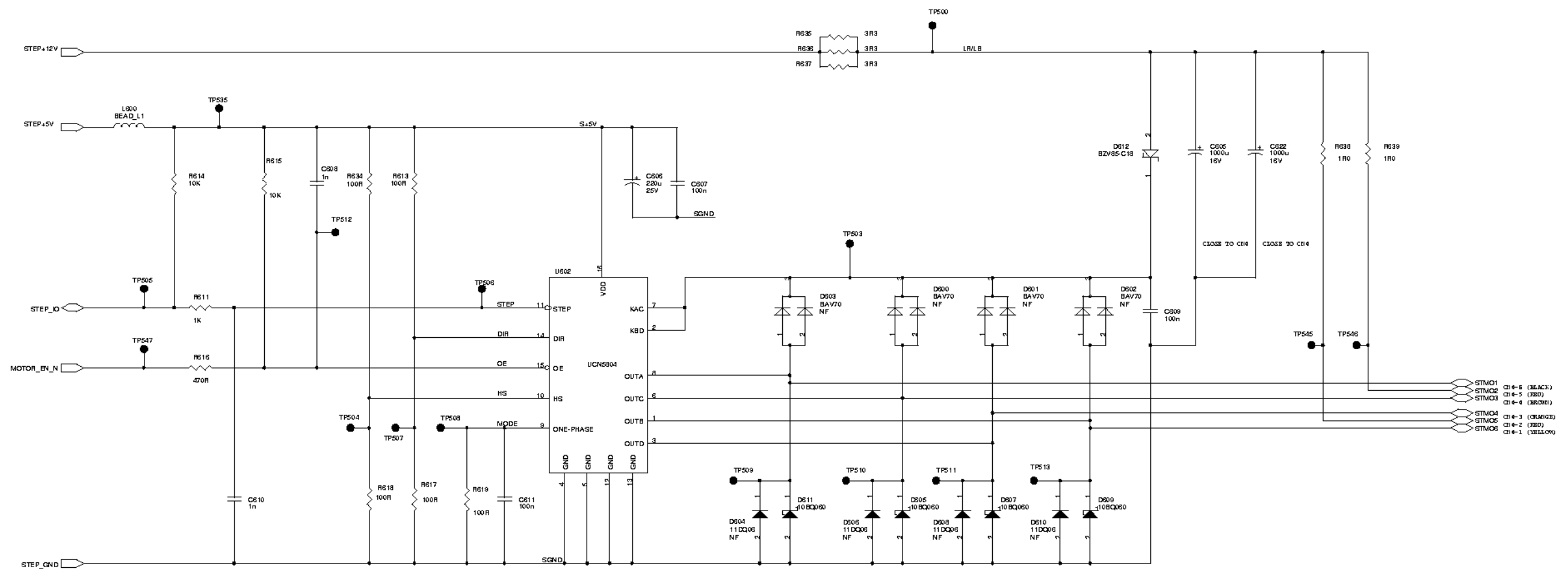


THE INFORMATION CONTAINED  
HEREIN SHALL NOT BE REPRODUCED  
IN WHOLE OR IN PART WITHOUT  
THE PRIOR WRITTEN PERMISSION OF  
RAYMARINE LTD.

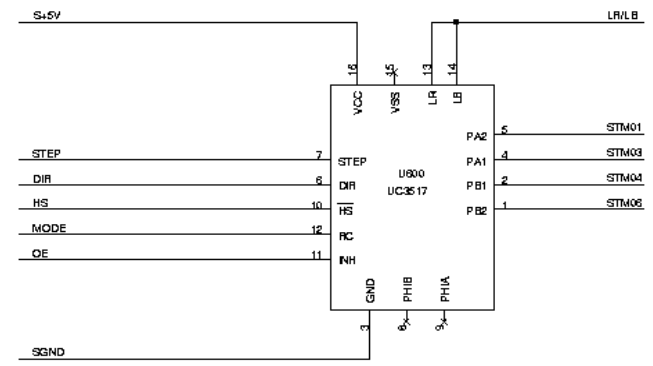


© 2001 Raymarine Ltd.

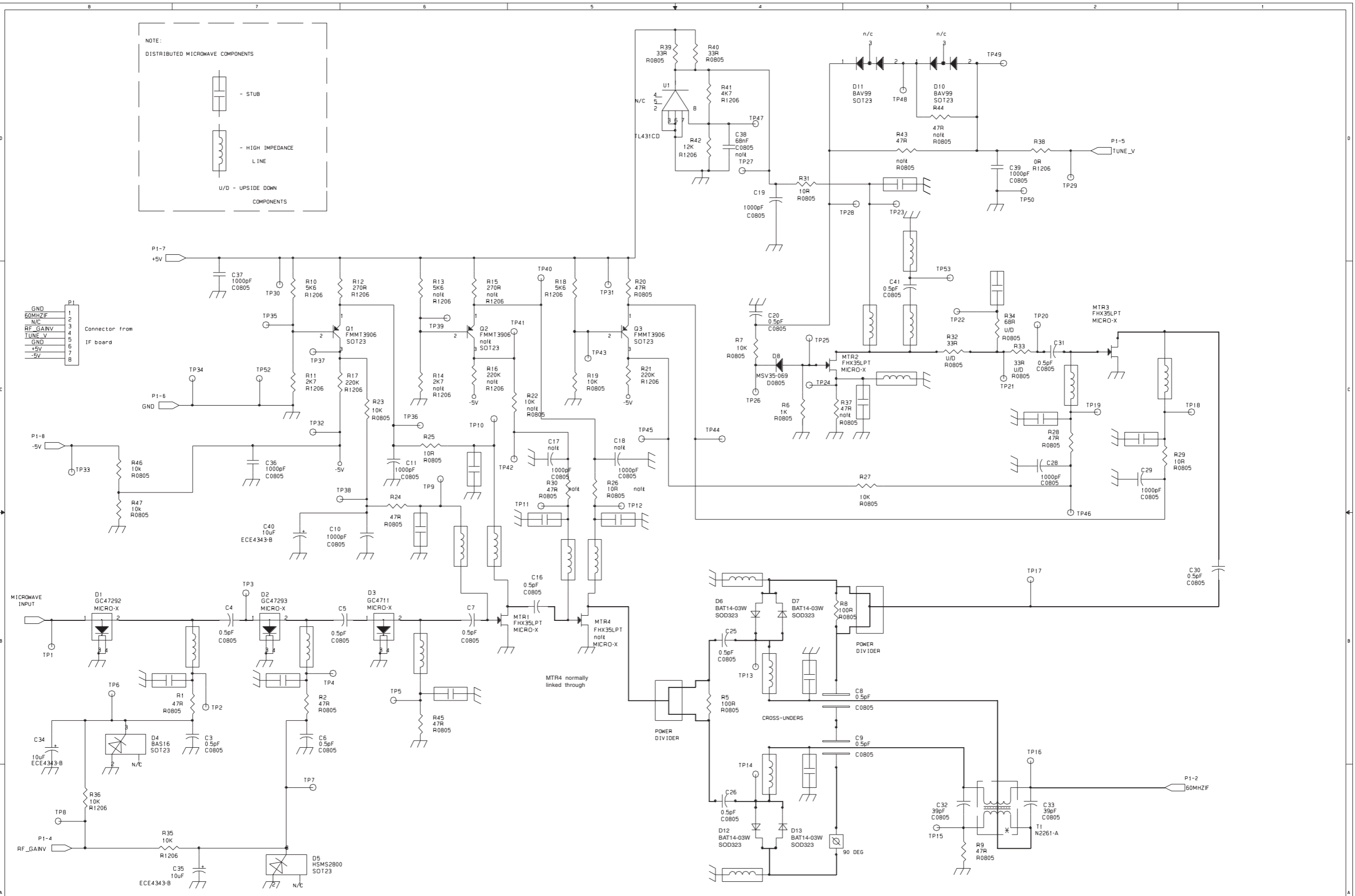
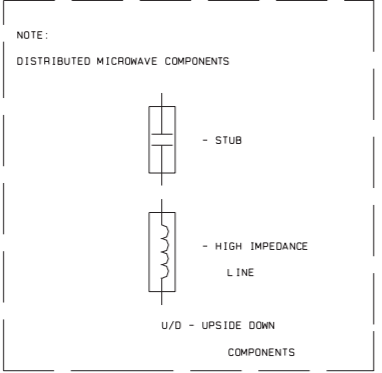
Title Ships Heading Interface			
Size A4	Document Number 4473-002	Drawn	Iss. H
		Checked	
		Approved	
Date: Wednesday, August 14, 2002		Sheet 5	of 6



Alternative Stepper Motor Driver: UC3517.  
 Change Parts as follows :-  
 Fit U500 in place of U502.  
 R617, R618 fit 100R  
 X613, X616 fit 10F  
 D600, D601, D602, D603 fit 1N4148  
 R619 fit 470R  
 C611 fit 100n



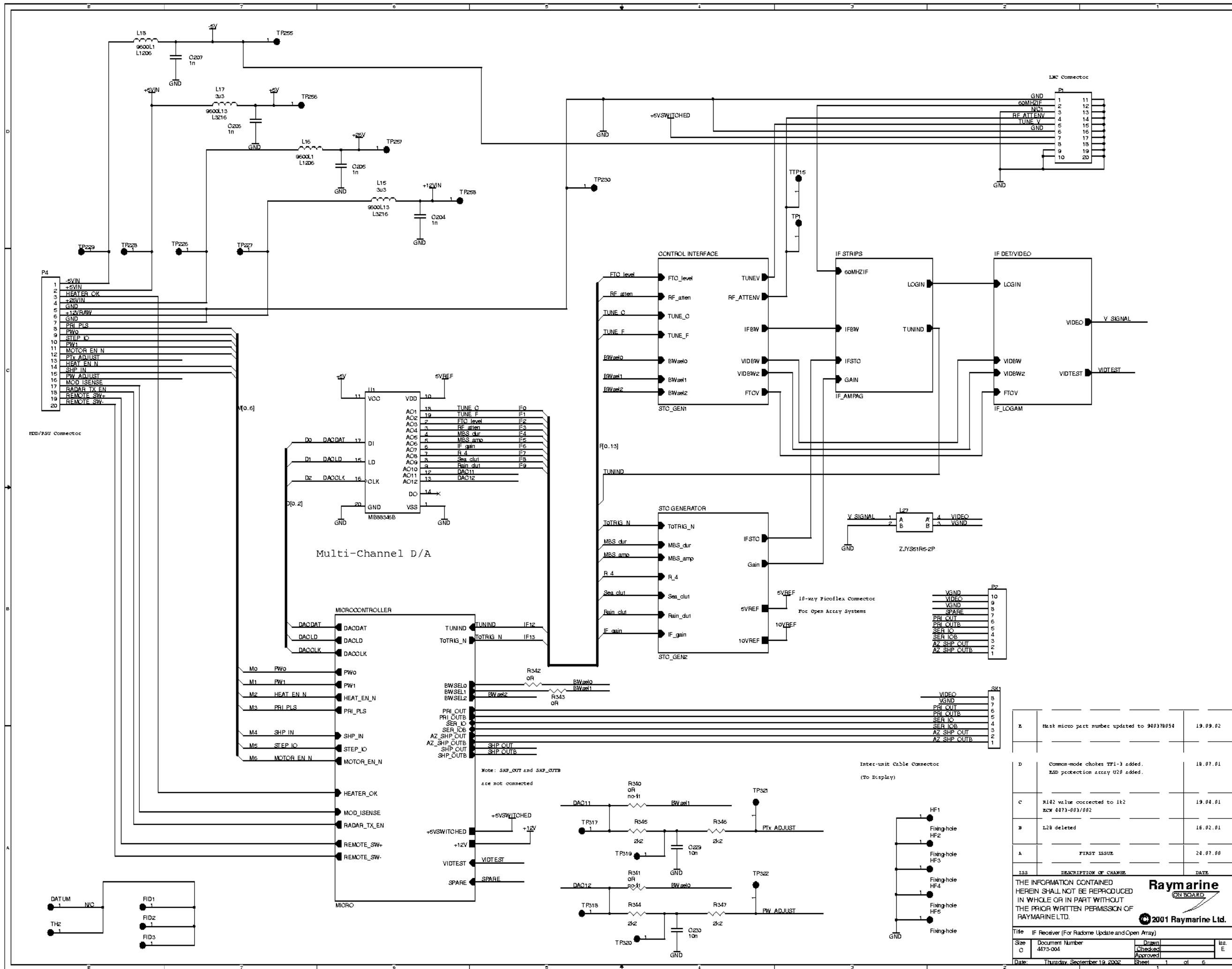




LOW NOISE CONVERTER/LIMITER

Revision M schematic reflects Issue G board

Raytheon Marne Europe		
ANCHORAGE PARK, PORTSMOUTH HAMPSHIRE PO3 5TD		
Title		
Low Noise Converter (LNC)		
Size	Document Number	Rev
C	4346-028	N
Date:	Wednesday, October 20, 1999	Sheet 1 of 1



ISS	DESCRIPTION OF CHANGE	DATE
Z	Mask micro part number updated to 940378054	19.09.02
D	Common-mode chokes TP1-3 added. ESD protection array U20 added.	18.07.01
C	R102 value corrected to 1k2 ECW 4873-003/002	19.04.01
B	L28 deleted	16.02.01
A	FIRST ISSUE	24.07.00

THE INFORMATION CONTAINED HEREIN SHALL NOT BE REPRODUCED IN WHOLE OR IN PART WITHOUT THE PRIOR WRITTEN PERMISSION OF RAYMARINE LTD.

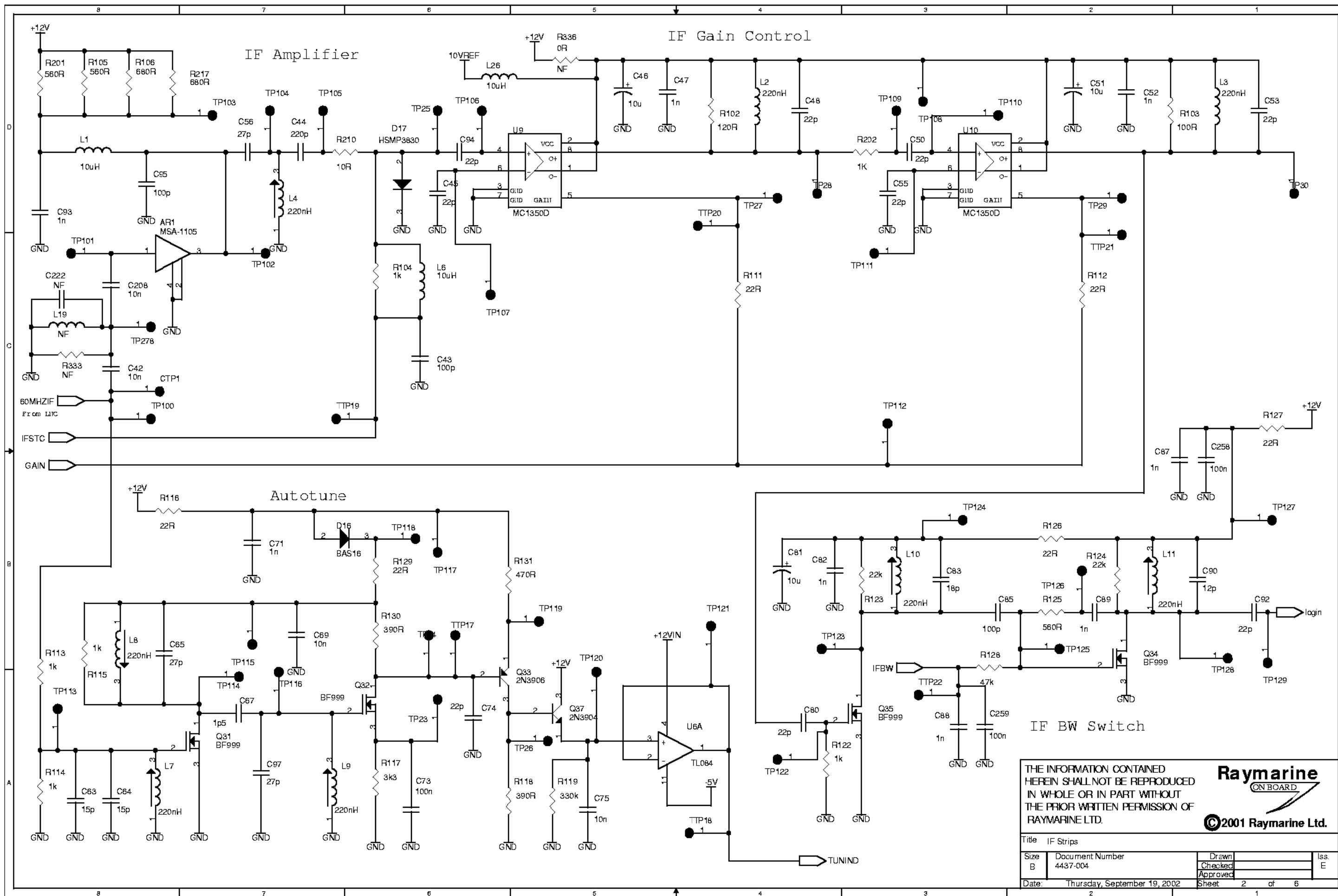
**Raymarine**  
ON BOARD

© 2001 Raymarine Ltd.

Title: IF Receiver (For Radome Update and Open Array)

Size: C	Document Number: 4473-004	Drawn: _____	Iss: E
		Checked: _____	
		Approved: _____	

Date: Thursday, September 19, 2002 Sheet 1 of 6



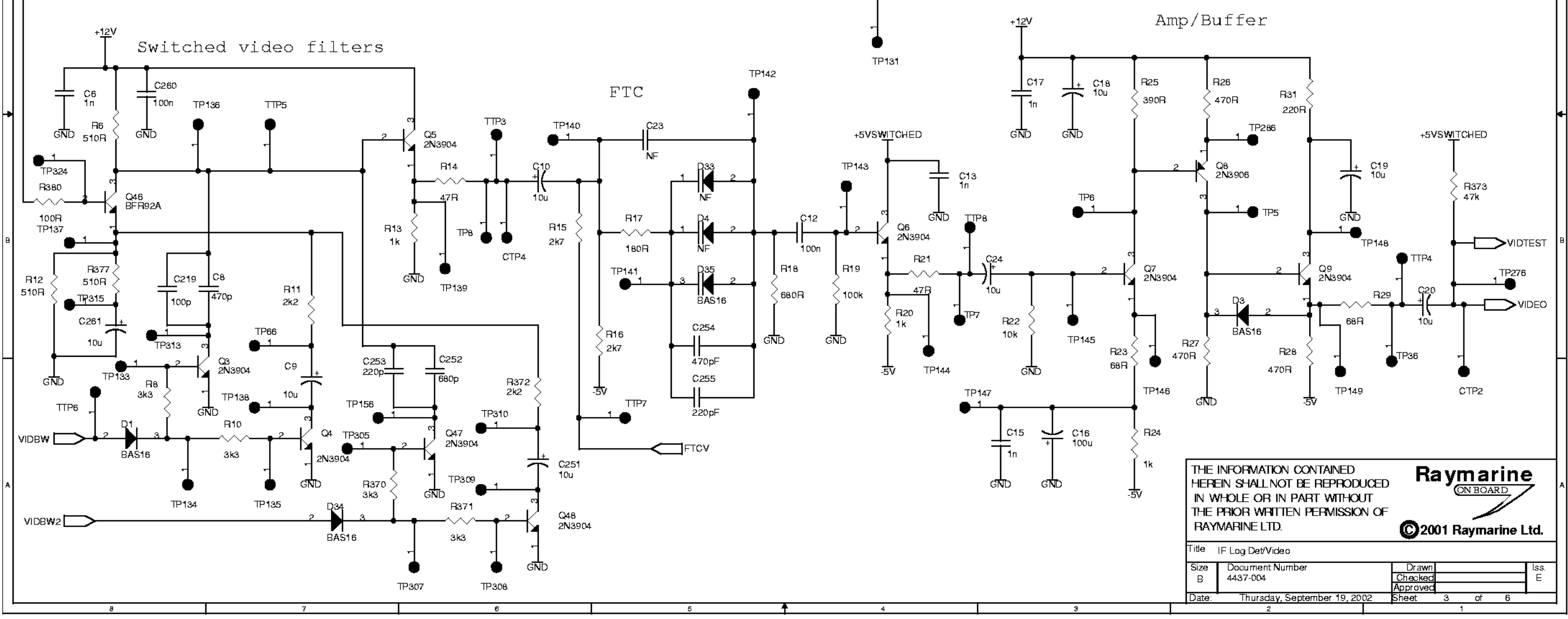
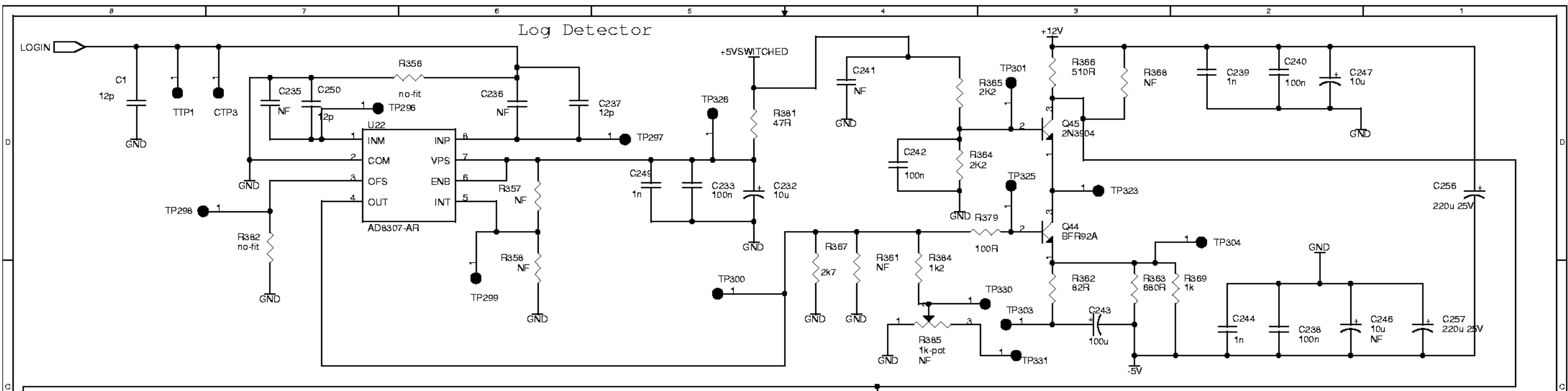
THE INFORMATION CONTAINED  
HEREIN SHALL NOT BE REPRODUCED  
IN WHOLE OR IN PART WITHOUT  
THE PRIOR WRITTEN PERMISSION OF  
RAYMARINE LTD.

**Raymarine**  
ON BOARD

© 2001 Raymarine Ltd.

Title IF Strips  
Size B Document Number 4437-004  
Date Thursday, September 19, 2002

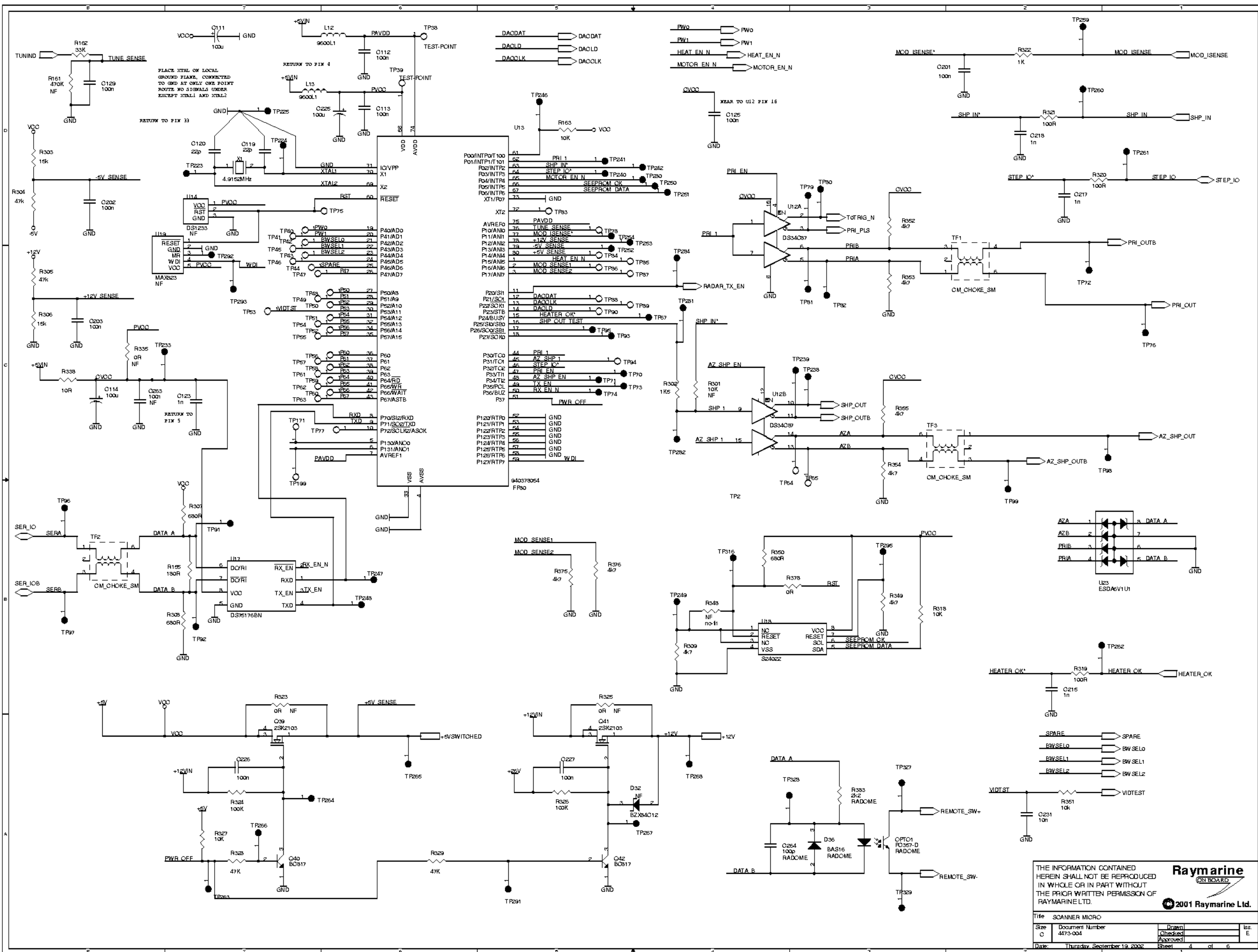
Drawn	Iss
Checked	E
Approved	
Sheet 2	of 6



**Raymarine**  
ON BOARD  
 ©2001 Raymarine Ltd.

THE INFORMATION CONTAINED  
 HEREIN SHALL NOT BE REPRODUCED  
 IN WHOLE OR IN PART WITHOUT  
 THE PRIOR WRITTEN PERMISSION OF  
 RAYMARINE LTD.

Title IF Log Det/Video			
Size B	Document Number 4437-004	Drawn	Iss. E
		Checked	
		Approved	
Date: Thursday, September 19, 2002	Sheet 3	of 6	



THE INFORMATION CONTAINED  
HEREIN SHALL NOT BE REPRODUCED  
IN WHOLE OR IN PART WITHOUT  
THE PRIOR WRITTEN PERMISSION OF  
RAYMARINE LTD.

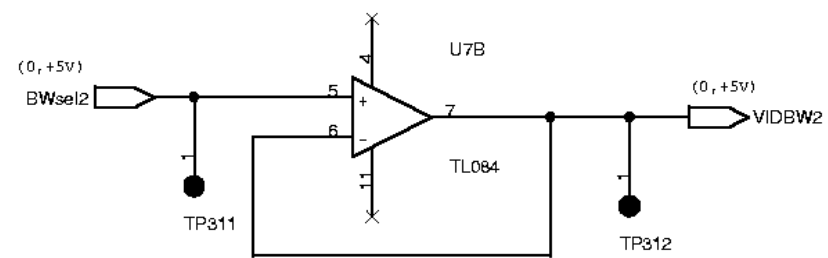
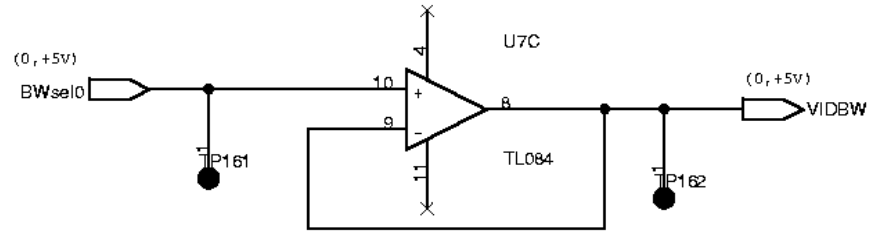
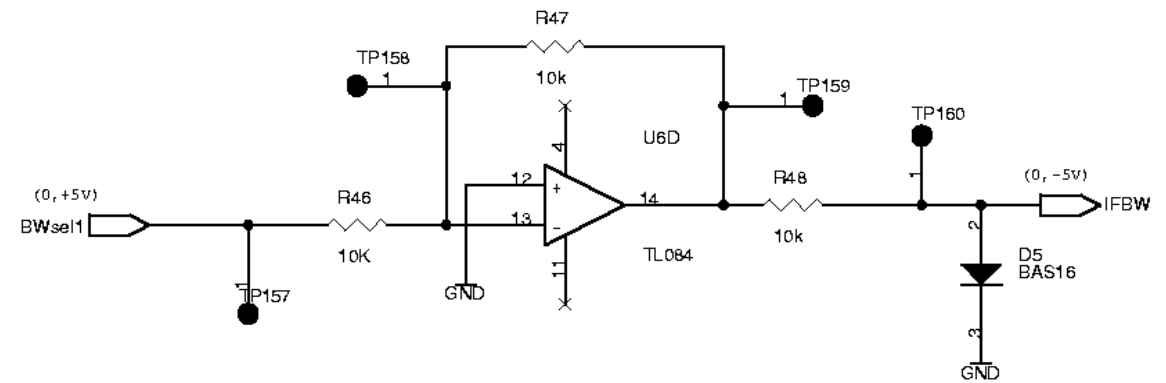
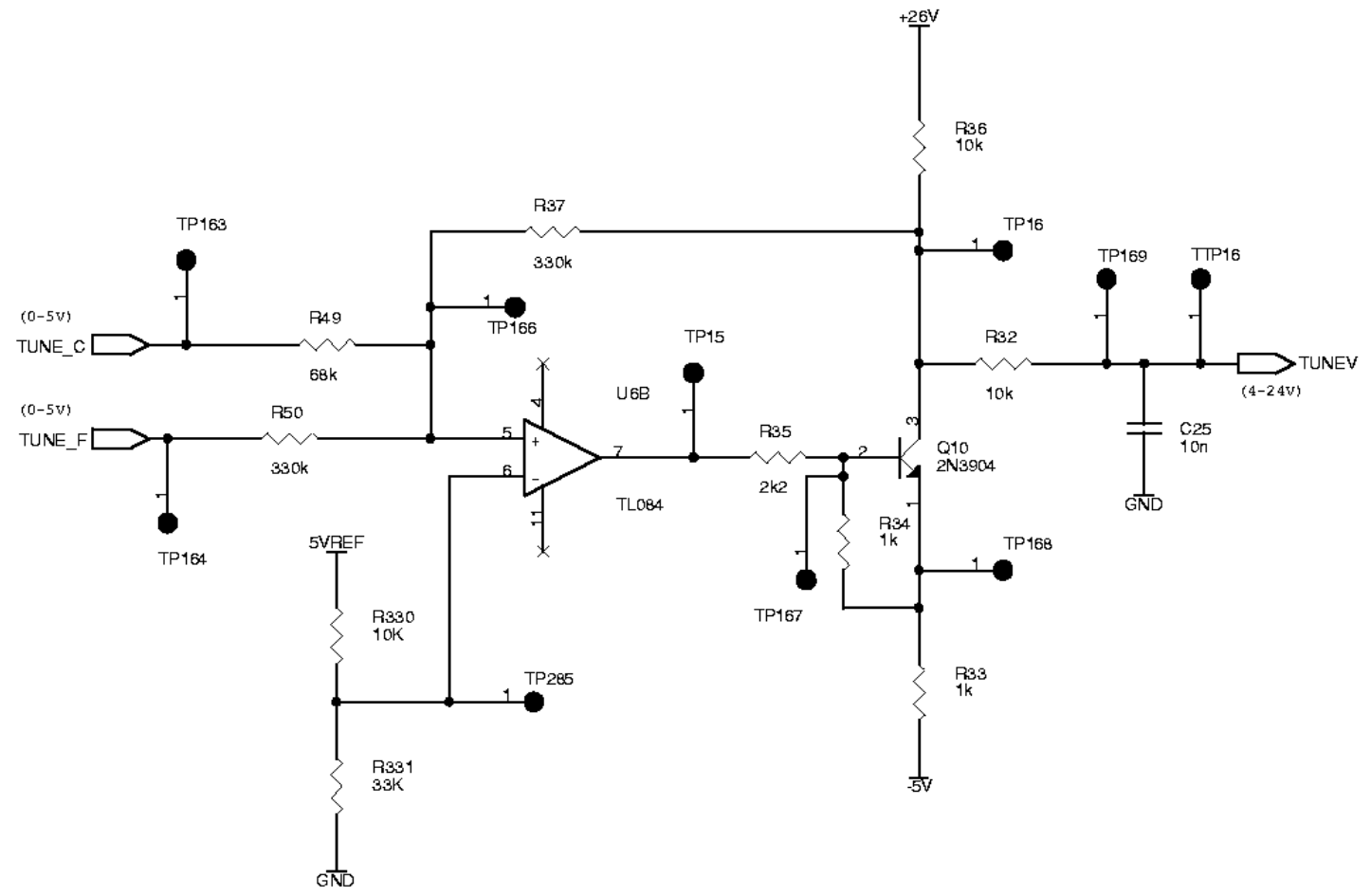
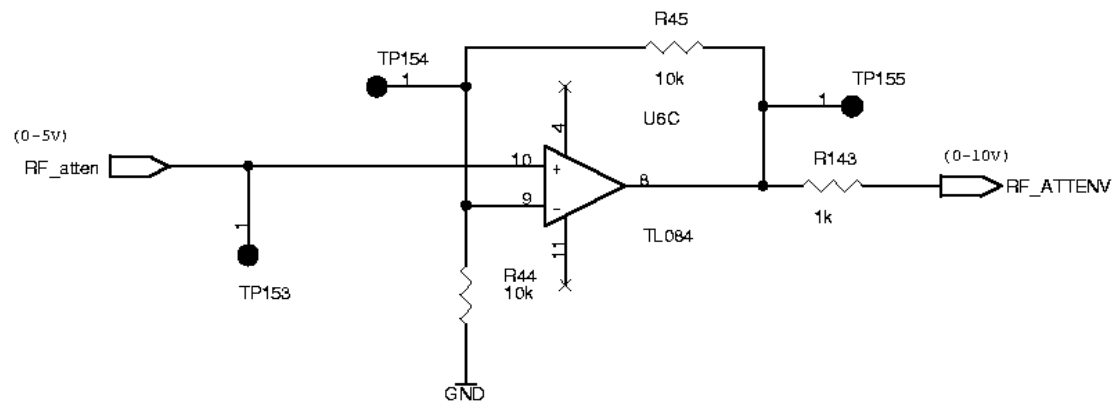
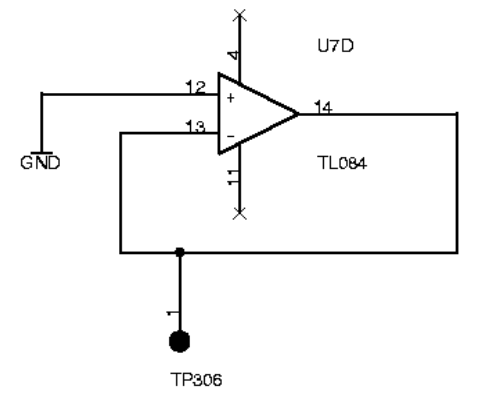
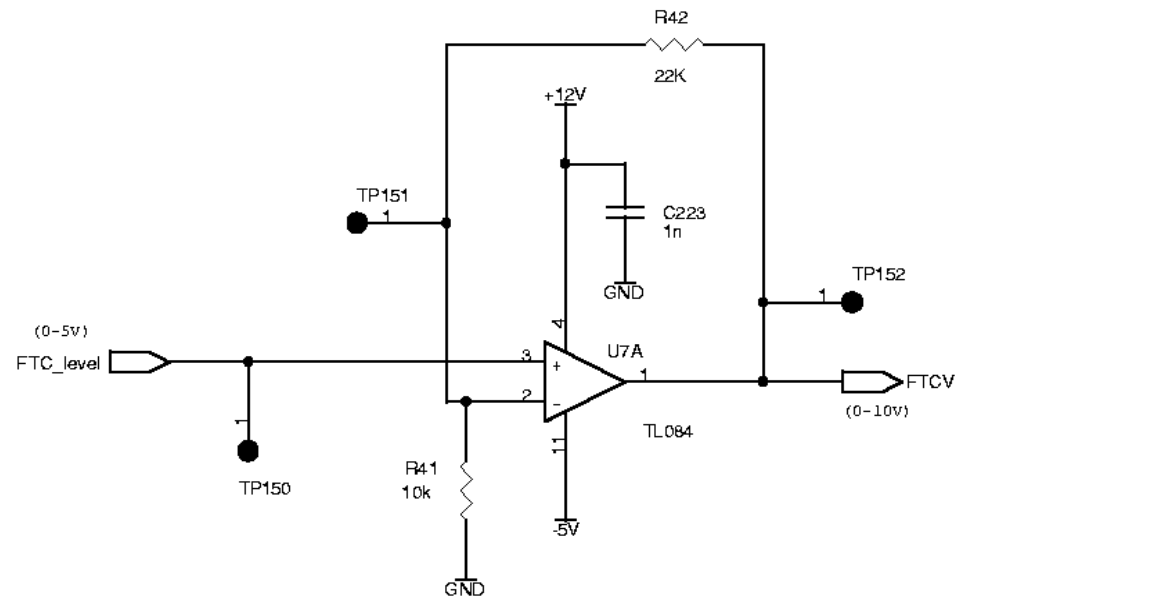
**Raymarine**  
ON BOARD

©2001 Raymarine Ltd.

Title: SCANNER MICRO  
Size: C Document Number: 4473-004  
Date: Thursday, September 19, 2002

Drawn	lit. E
Checked	
Approved	

Sheet 4 of 6

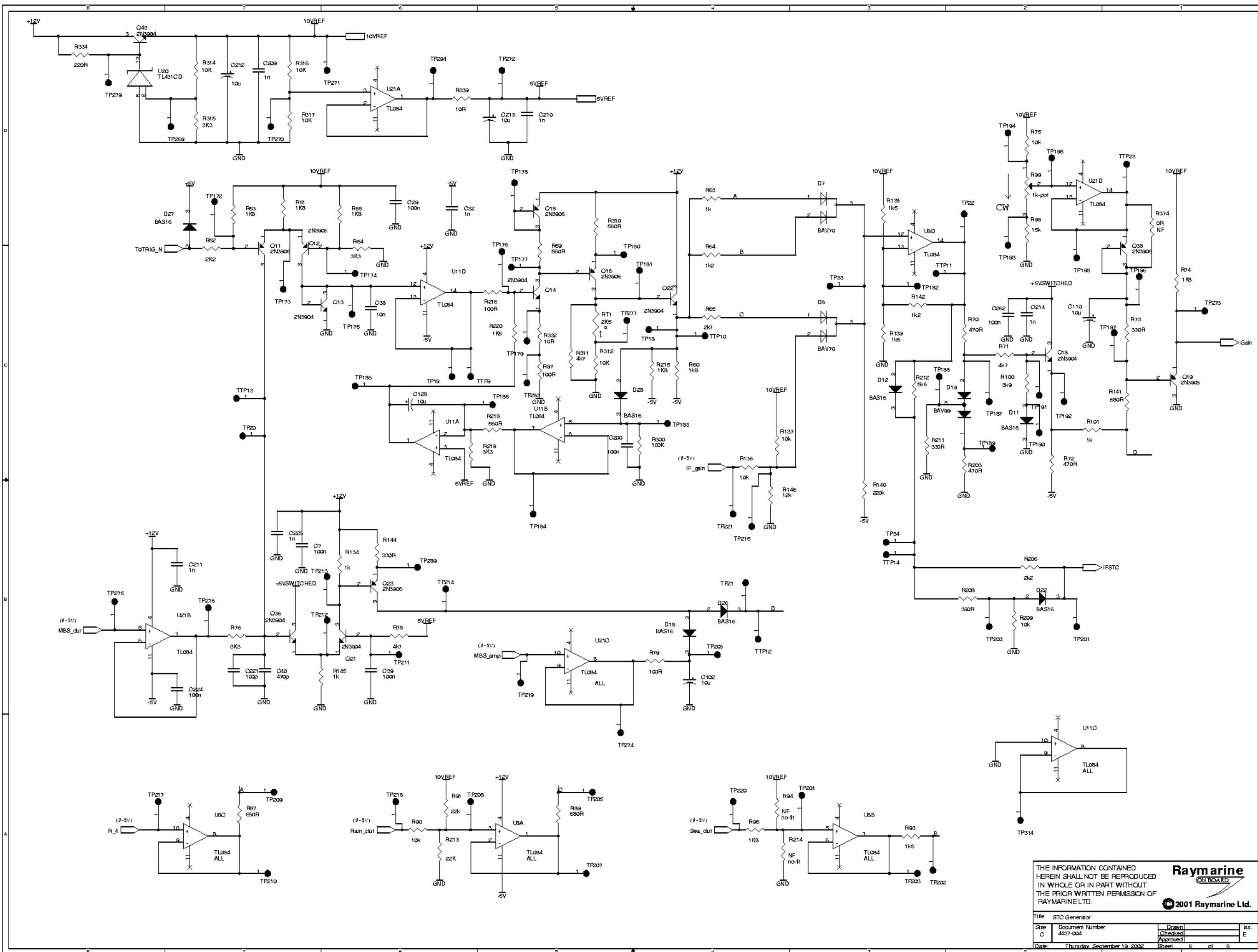


THE INFORMATION CONTAINED  
HEREIN SHALL NOT BE REPRODUCED  
IN WHOLE OR IN PART WITHOUT  
THE PRIOR WRITTEN PERMISSION OF  
RAYMARINE LTD.

**Raymarine**  
ON BOARD

© 2001 Raymarine Ltd.

Title		Control Interface	
Size	Document Number	Drawn	Iss.
B	4437-004	Checked	E
Date:	Thursday, September 19, 2002	Approved	
		Sheet	5 of 6



THE INFORMATION CONTAINED  
HEREIN SHALL NOT BE REPRODUCED  
IN WHOLE OR IN PART WITHOUT  
THE PRIOR WRITTEN PERMISSION OF  
RAYMARINE LTD.

**Raymarine**  
ON BOARD

© 2001 Raymarine Ltd.

Title	STG Generator	Drawn		Iss.
Size	Document Number	Checked		E
C	4437.004	Approved		
Date	Thursday, September 19, 2002	Sheet	6	of 6