



## Raymarine UK Limited

Command Center

with

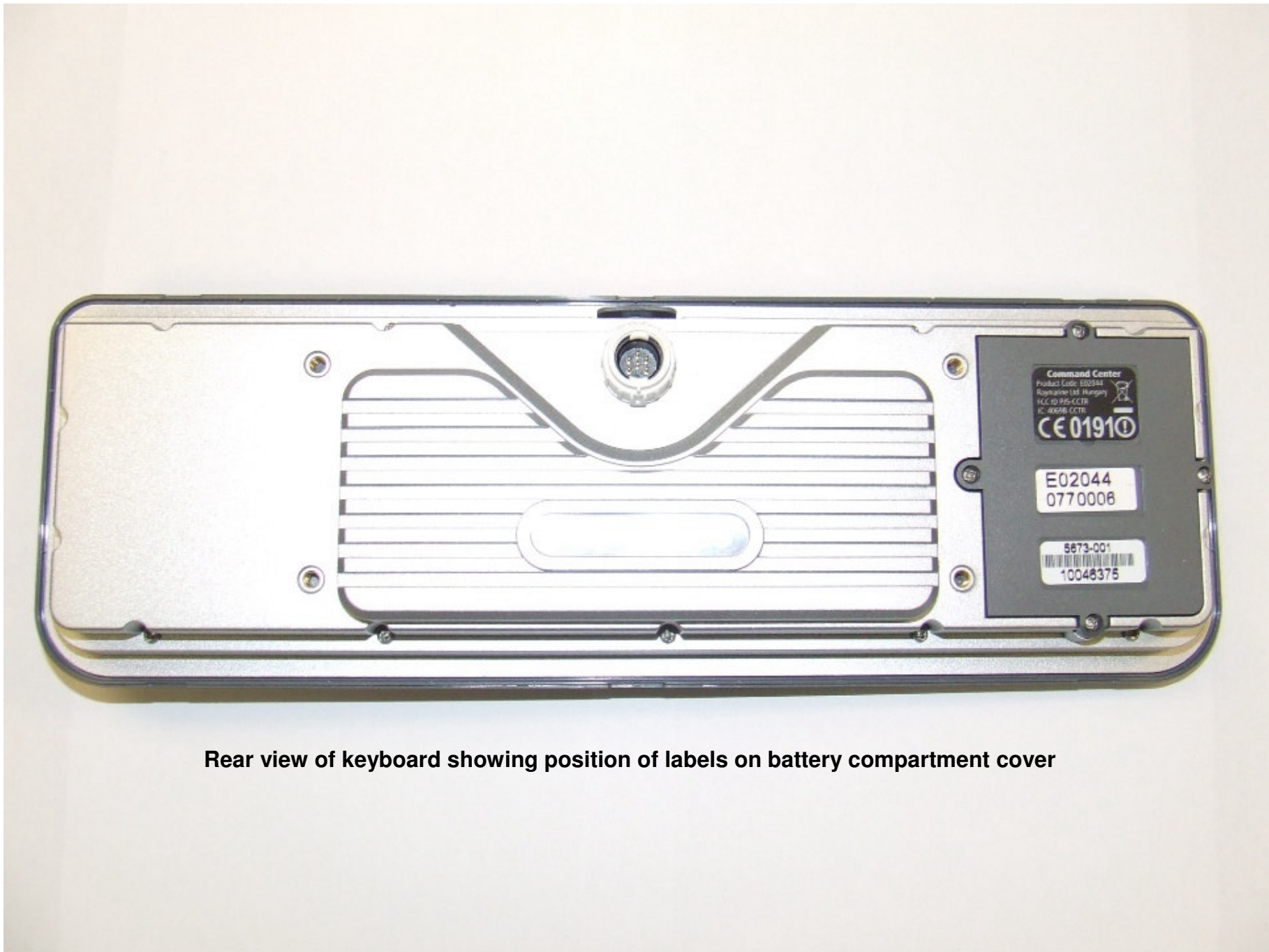
Wireless Upgrade Kit

Part No. E02044

Part No. E02046

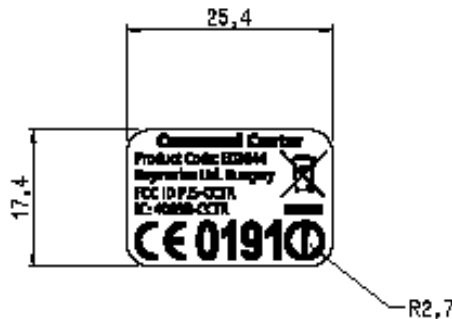
} FCC ID:PJ5-CCTR

## Product & Packaging Labels




Rear view of keyboard showing position of labels on battery compartment cover

USED ON: 5673001



NOTES :-

1. MATERIAL: CLEAR POLYCARBONATE LEXAN 8835-112, ONE SIDE VELVET/  
OTHER SIDE MATT. 250 MICRONS THICK.
2. UNDERSURFACE PRINTED, SELF ADHESIVE BACKED (REF. 3M 468MP HIGH PERFORMANCE).
3. COLOUR SPECIFICATIONS :-  
BACKGROUND - BLACK SERICOL INK W3001 (MATCHED TO PANTONE BLACK C)  
ALL LEGENDS - GLOSS WHITE SERICOL INK U3021
4. LABEL SURFACE AREA TO BE COMPLETELY CLEAR OF SCRATCHES, BLEMISHES & FINGER MARKS.
5. PUNCHED OUT PROFILE EDGES TO BE BURR FREE.
6. REFER TO ARTWORK 3D3293B ISSUE A FOR PRINTING DETAILS.
7. THIS DRAWING SUPPLIED IN ELECTRONIC FORMAT AS 3029621A.CGM IS THE 'MASTER DOCUMENT'  
DXF DATA IS AVAILABLE ON REQUEST, MUST BE VERIFIED TO MASTER SUPPLIED.
8. PROFILE TO BE TOOLED FROM EXISTING PART 3029-481.
9. PRINTING MATCHED TO PANTONE REF. TO BE APPROVED BY RAYMARINE.  
REFER TO PROCESS PROCEDURE B10, OTHER CRITERIA: UV STABILISED.

ITEM No.	QTY	DESCRIPTION
PARTS LIST		
		
THE INFORMATION CONTAINED HEREIN SHALL NOT BE REPRODUCED WITHOUT THE PRIOR WRITTEN PERMISSION OF RAYMARINE LTD.		
©2001 RAYMARINE LTD		

TOLERANCES UNLESS OTHERWISE STATED	DRAWN TO BS308  DO NOT SCALE - IF IN DOUBT ASK
F: ±0.30 C: ±0.25 H: ±0.10 K: ±0.05 ANGLES: ±1° (UNLESS OTHERWISE SPECIFIED) DIMENSIONS IN MM SCALE: 1:1	FINISH: SEE NOTES

A	FIRST ISSUE	ORIGINAL
ISS	DESCRIPTION OF CHANGE	DATE
TITLE		
REAR LABEL COMMAND CENTER		
DRAWING No.		A
3029621		3
SHEET 1 OF 1		



**Command Center carton with draft wording. Note that product label is a prototype. The large gap between IC: and the rest of the Industry Canada identifier will be removed on production labels**