



RD424 4kW 24" Radome Scanner

Product and Packaging Labels

INDEX

Page No.	Description
3	Radome viewed from underside, showing positions of compliance and ratings labels.
4	Modulator cover showing position of part number and barcoded data label. Note: label shown is for a 2kW core - label size and positioning for 4kW core is identical.
5	Drawing of compliance label.
6	Drawing of Label Set. Comprises various labels which identify a specific radar.
7	Explanatory drawing, including facsimile of box label, for Label Set.
8	Drawing of Ratings label. Note outlined area for attachment of part/serial number label.



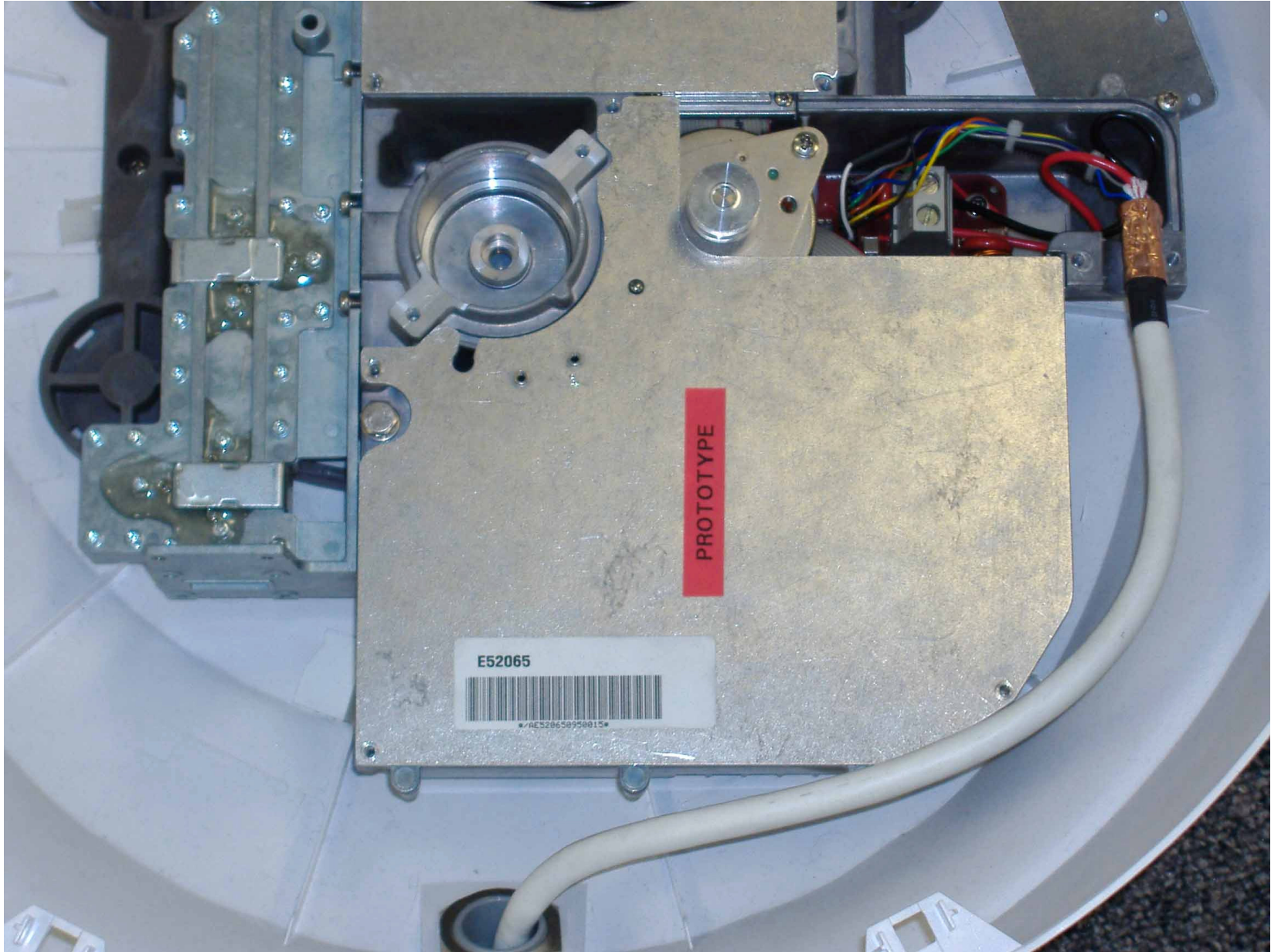
4kW 24" Radome
CE 0191 ⓘ FCC ID: PJ5-AD4D-8P
IC ID: 4069B-AD4D8P

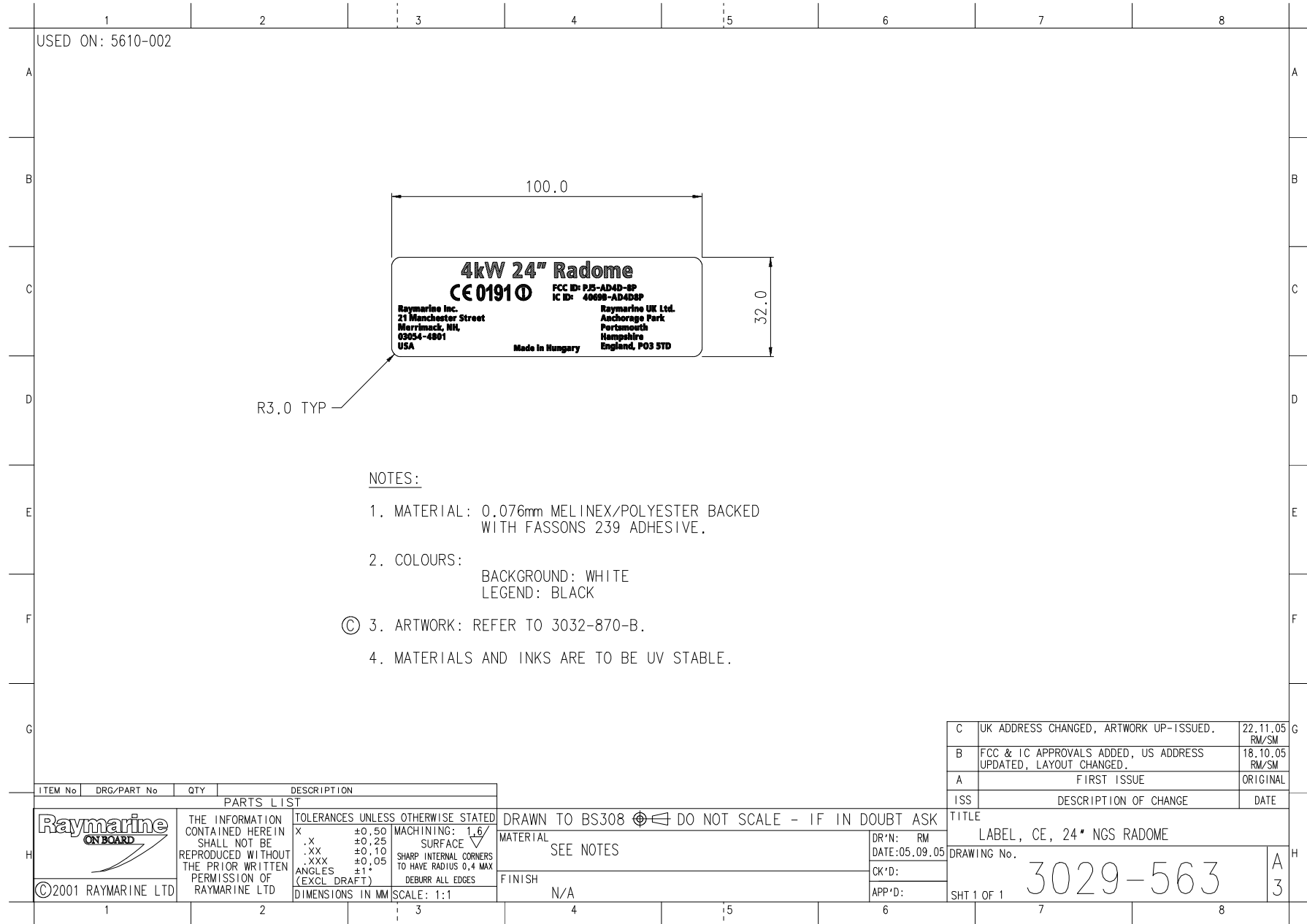
Raymarine Inc.
21 Manchester Street
Merrimack, NH
03054-4801
USA

Made in Hungary

Raymarine UK Ltd.
Quay Point
Northarbour Road
Portsmouth, Hampshire
England, PO6 3TD


WARNING
HIGH VOLTAGE INSIDE
NEEDS SERVICING TO QUALIFIED
SERVICING PERSONNEL.
© 2012 Raymarine
Made in Hungary







R3.0 TYP

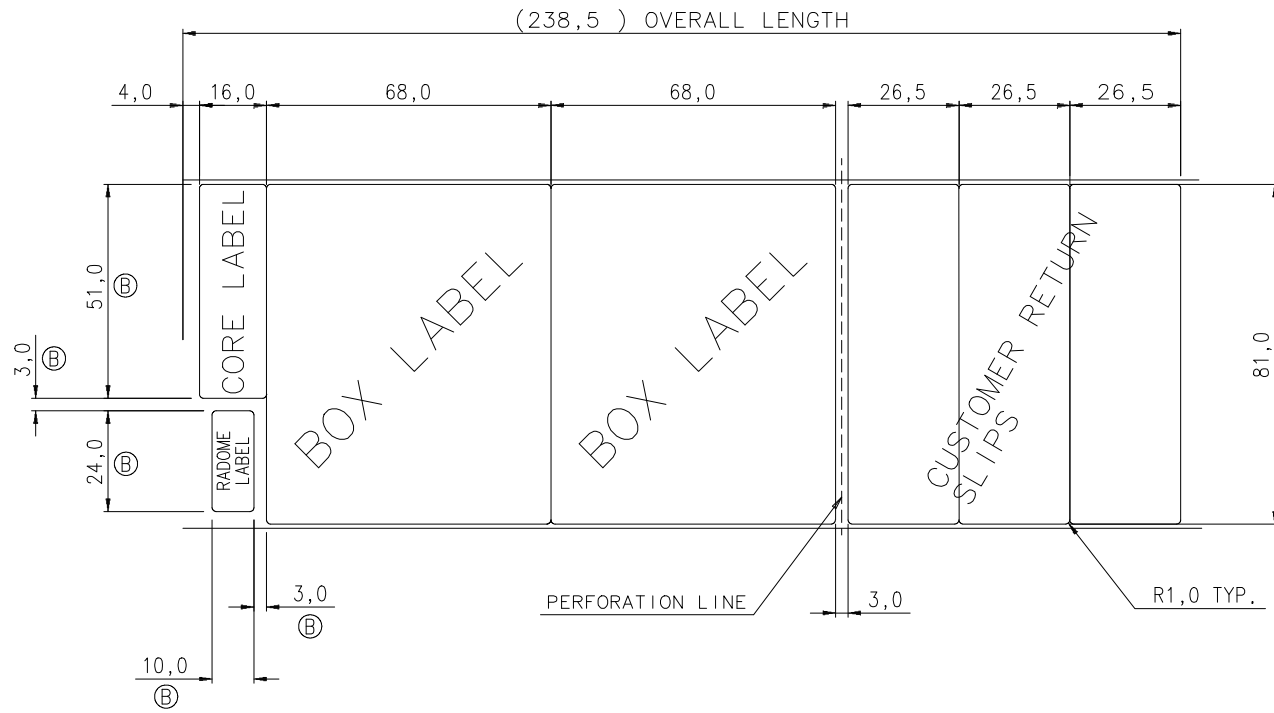
NOTES:

1. MATERIAL: 0.076mm MELINEX/POLYESTER BACKED WITH FASSONS 239 ADHESIVE.
2. COLOURS: BACKGROUND: WHITE
LEGEND: BLACK
- © 3. ARTWORK: REFER TO 3032-870-B.
4. MATERIALS AND INKS ARE TO BE UV STABLE.

C	UK ADDRESS CHANGED, ARTWORK UP-ISSUED.	22.11.05 RM/SM
B	FCC & IC APPROVALS ADDED, US ADDRESS UPDATED, LAYOUT CHANGED.	18.10.05 RM/SM
A	FIRST ISSUE	ORIGINAL
ISS	DESCRIPTION OF CHANGE	DATE

ITEM No	DRG/PART No	QTY	DESCRIPTION
PARTS LIST			
		THE INFORMATION CONTAINED HEREIN SHALL NOT BE REPRODUCED WITHOUT THE PRIOR WRITTEN PERMISSION OF RAYMARINE LTD	
©2001 RAYMARINE LTD		TOLERANCES UNLESS OTHERWISE STATED X ±0.50 MACHINING: 1.6 .XX ±0.25 SURFACE .XX ±0.10 SHARP INTERNAL CORNERS TO HAVE RADIUS 0.4 MAX .XXX ±0.05 DEBURR ALL EDGES ANGLES ±1° (EXCL DRAFT) DIMENSIONS IN MM SCALE: 1:1	
DRAWN TO BS308  DO NOT SCALE - IF IN DOUBT ASK			
MATERIAL		SEE NOTES	
FINISH		N/A	
DR'N: RM		DATE: 05.09.05	
CK'D:			
APP'D:			
TITLE		LABEL, CE, 24" NGS RADOME	
DRAWING No.		3029-563	
SHT 1 OF 1		A 3	

USED ON: 5610-002, 5610-006



NOTES:

1. ALL DETAILS ARE TO BE PRINTED ON THE ASSEMBLY LINE.
2. MATERIAL: WHITE GLOSS POLYESTER.
3. ADHESIVE: PERMANENT HIGH PERFORMANCE.

ITEM No	DRG/PART No	QTY	DESCRIPTION
PARTS LIST			
		THE INFORMATION CONTAINED HEREIN SHALL NOT BE REPRODUCED WITHOUT THE PRIOR WRITTEN PERMISSION OF RAYMARINE LTD	
		TOLERANCES UNLESS OTHERWISE STATED X ±0,50 MACHINING: 1,6/√ .X ±0,25 SURFACE .XX ±0,10 SHARP INTERNAL CORNERS TO HAVE RADIUS 0,4 MAX .XXX ±0,05 DEBURR ALL EDGES ANGLES ±1° (EXCL DRAFT)	
©2001 RAYMARINE LTD		DIMENSIONS IN MM SCALE: 1:1	

DRAWN TO BS308 DO NOT SCALE - IF IN DOUBT ASK
 MATERIAL SEE NOTES
 FINISH

B	CORE & RADOME LABEL DIMS ADDED, ARTWORK NOTE DELETED.	18.10.05 RM/SM
A	FIRST ISSUE	ORIGINAL
ISS	DESCRIPTION OF CHANGE	DATE
TITLE LABEL SET, NGS RADOME		
DRAWING No. 3029-570		A
SHT 1 OF 1		3

Label carries part number and core serial number and barcoding. Attached to modulator cover. See photograph above.

E52067
FCC ID: PJ6-AD4D-8P
IC ID: 4069B-AD4D8P
RAYMARINE UK LTD.

CE 0191

24" 4KW RADOME-ANALOGUE

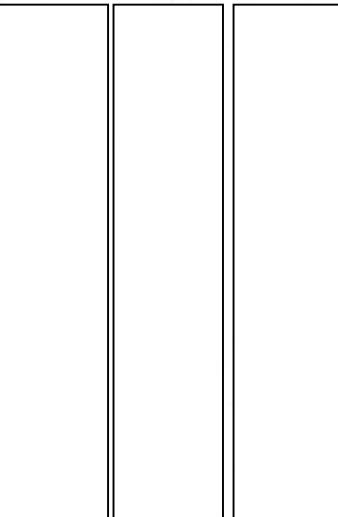
Made in Hungary

7 23193 432067 1 3

* / AE52067026001 *

This radar scanner unit forms part of navigational radar system intended for light marine use aboard non-MC class vessels.

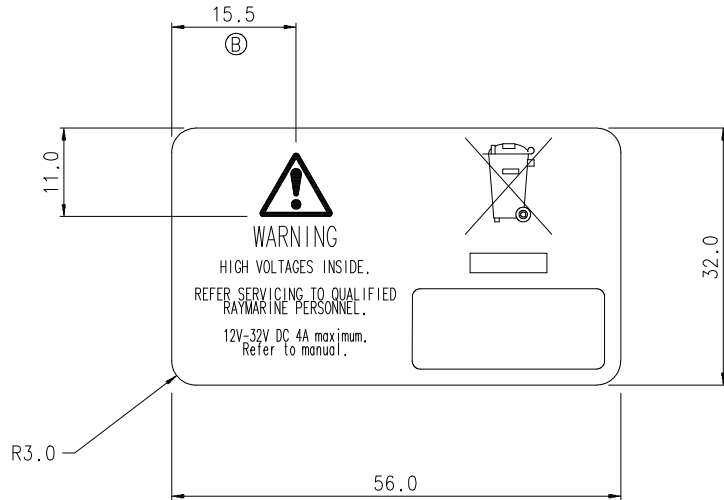
This label is identical to that shown on the left. Both are attached to the outer packaging of the product.



Carries part number and serial number. Label is positioned in outlined area on Ratings Label (See drawing 3029-560, below, and photograph above)

Three identical barcoded labels, which are inserted in the User Guide. They are used to mark the product and packaging in the event that it needs to be returned to the supplier for servicing or upgrade.

USED ON: 5610-006



NOTE.

1. MATERIAL: 0.076mm MELINEX/POLYESTER BACKED WITH FASSONS 239 ADHESIVE
2. COLOURS: BACKGROUND: GOLDEN YELLOW TO BS 381C
LEGEND: BLACK
3. ARTWORK: REFER TO 3032-867-A
4. MATERIALS AND INKS ARE TO BE UV STABLE.

ITEM No	DRG/PART No	QTY	DESCRIPTION
PARTS LIST			
		THE INFORMATION CONTAINED HEREIN SHALL NOT BE REPRODUCED WITHOUT THE PRIOR WRITTEN PERMISSION OF RAYMARINE LTD	
©2001 RAYMARINE LTD		TOLERANCES UNLESS OTHERWISE STATED X ±0.50 MACHINING: 1.6 / SURFACE .X ±0.25 .XX ±0.10 .XXX ±0.05 ANGLES ±1° (EXCL DRAFT) SHARP INTERNAL CORNERS TO HAVE RADIUS 0.4 MAX DEBURR ALL EDGES DIMENSIONS IN MM SCALE: 2:1	

DRAWN TO BS308 DO NOT SCALE - IF IN DOUBT ASK	TITLE LABEL, RATING, NGS RADOME
MATERIAL SEE NOTE	DR'N: R.M. DATE: 14.07.05
FINISH	CK'D: APP'D:

B	15.5 WAS 15.0 (2B), TEXT BROUGHT INLINE WITH ARTWORK, CURRENT ADDED.	17.10.05 RM/SM
A	FIRST ISSUE	ORIGINAL
ISS	DESCRIPTION OF CHANGE	DATE
DRAWING No.		A
3029-560		3
SHT 1 OF 1		