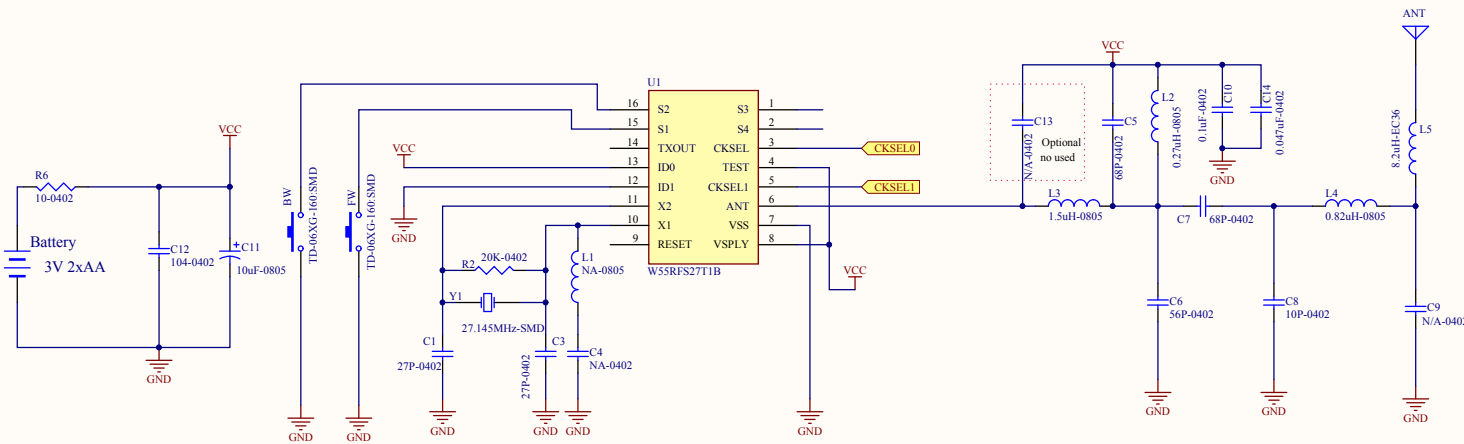


SHORT	Frequency
J3 J4	27.145MHz



TX

Standard Common part for master

Capacitor (1st priority)

No:	Part Value	Qty for update SCH
1	10PF chip 50v +80-20% SMD 0603	
2	20pF chip 50v +80-20% SMD 0603	
3	25pF chip 50v +80-20% SMD 0603	
4	1000pF chip 50v +80-20% SMD 0603	
5	0.1uF chip 50V +80-20% Y5V, 50V SMD0603	
	0.1uF 25V +80-20% Y5V, PKG: Ceramic dia 6mm x 3.5	
6	0.033uF 25V, Y5V, PKG: dia 4mm x 3.5	
7	10uF 25V +/-20% AL EL PKG: 5x11mm	
8	47uF 25V +/-20% AL EL PKG: 5x11mm	
9	100uF 25V +/-20% AL EL PKG: 5x11mm	
10	220uF 25V +/-20% AL EL PKG: 5x11mm	

Resistor:

1	10 ohm +/-5% 0603	
2	100 ohm +/-5% 0603	
3	1K ohm +/-5% 0603	
4	4.7Kohm +/-5% 0603	
5	10k ohm +/-5% 0603	
6	47k ohm +/-5% 0603	
7	100kohm +/-5% 0603	
8	220k ohm +/-5% 0603	
9	1M ohm +/-5% 0603	
10	2.2M ohm +/-5% 0603	

Diode:

1	IN4001PKG: DO-41 50V	
2	IN4148 PKG: DO-35 50V	

Transistor

1	S8050NPN (1.5A) /SOT-23 V: 40; W: 0.3;	
2	S8550D PNP(1.5A) /SOT-23 V: 40; W: 0.3;	
3	S9014D NPN (1.5A) /SOT-23 V: 40; W: 0.3;	
4	B772 PNP A: 3; V: 40; Max. W: 1.25; PKG: TO-126;	
5	D882 NPN A: 3; V: 40; Max. W: 1.25; PKG: TO-126;	

Inductor

1	Choke Coil DESC: 5.6uH 10% 1/2W	
---	---------------------------------	--

PTC

1	MF-R400-0-99	
---	--------------	--

Diode:

1	IN5817: DO-41 50V	
---	-------------------	--

Non Standard parts Guide Line (2nd priority)

Using E3 value for resistor, capacitor and inductor
Standard IEC E3 Decade Value = 100, 220 & 470

Non Standard parts Guide Line (3rd priority)

Using E6 value for resistor, capacitor and inductor
Standard IEC E6 Decade value = 100, 150, 220, 330, 470 & 680

MATTEL MAPS All rights reserved

Size	Number	Project Name	Revision
A3	X7262	RC-CARS MINI RIDES ASST	R0
Date	12/22/2011	FALL 2012	Sheet of
File : C:\Documents and Settings\ubruce1\Desktop\X7262 TX sch R0 2011031 SchDoc			

TEST MODE: REMARKS: IC information: History