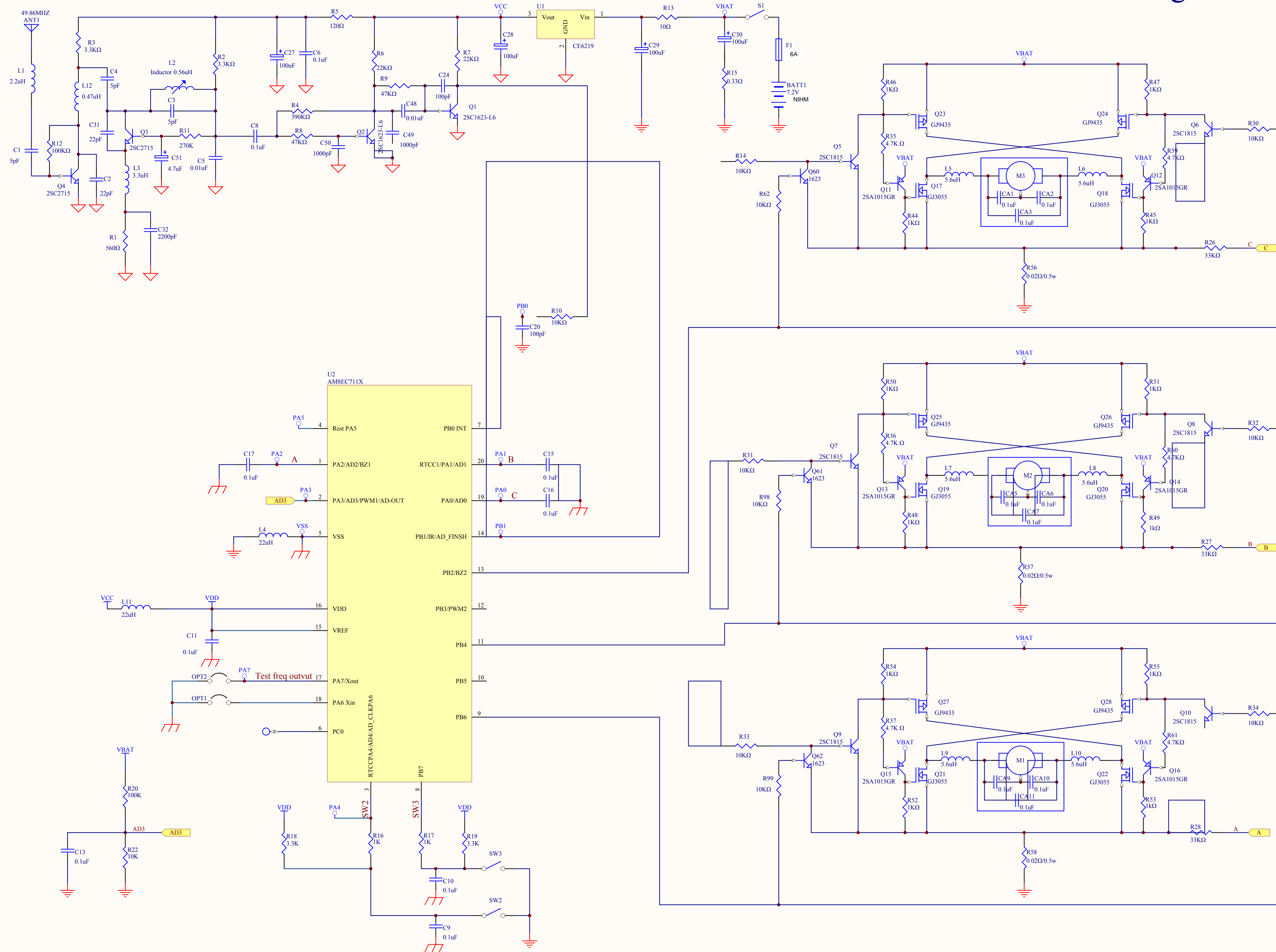


Receiver Schematic Diagram



Standard Common part for master

Capacitor
(1st priority)

No:

- 1
- 2
- 3
- 4
- 5
- 6
- 7
- 8
- 9
- 10

Resistor:

- 1
- 2
- 3
- 4
- 5
- 6
- 7
- 8
- 9
- 10

Diode:

- 1
- 2
- 3
- 4

Transistor

- 1
- 2
- 3
- 4
- 5

Inductor

- 1

PTC

- 1

TEST MODE:	REMARKS:	IC information:	History:

MAPS All rights reserved

Size A2	Number : X2875	Project Name : Terrain Twister(Mattel)	Revision 00
Date : 2012/1/3	MAPS Engineer :	Sheet of	
File : D:\2012\X2875\SCH\Terrain Twister RX\Terrain Twister RX 00.SchDoc			