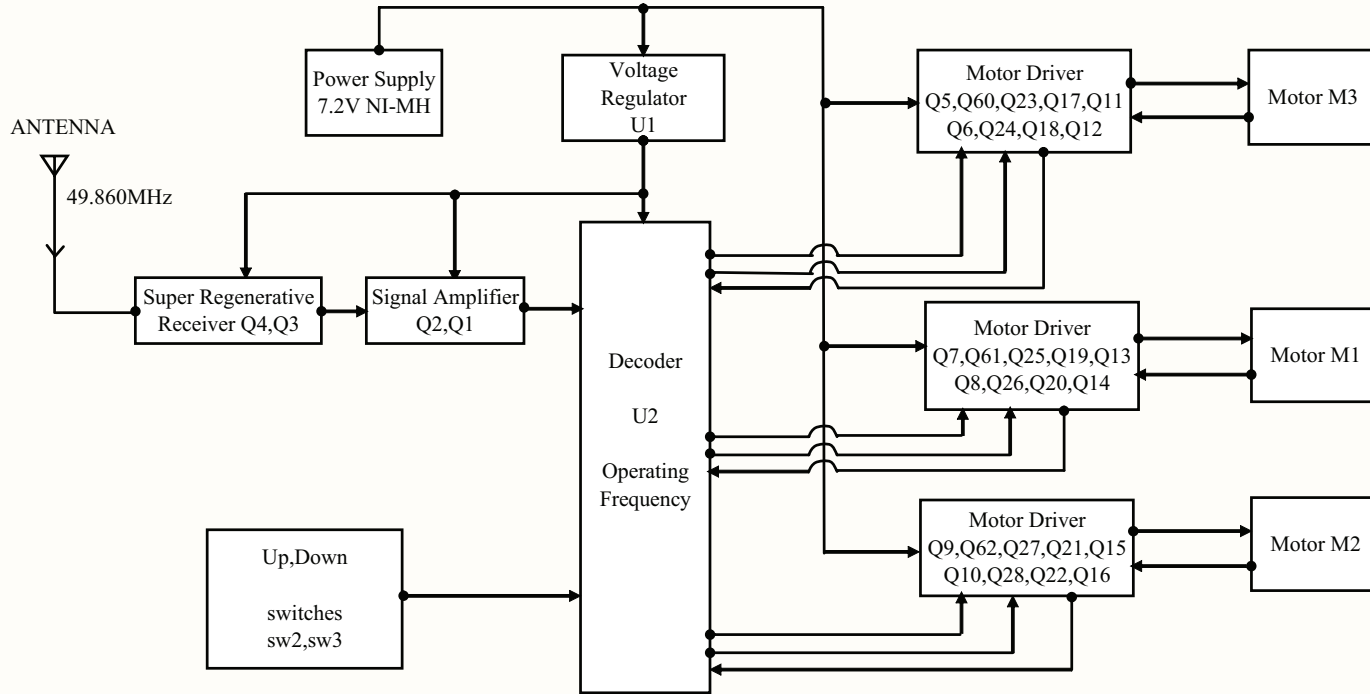


Block-Diagram
X2875 Receiver 49.860MHz
RX MAIN PCB: PIY2875-12A4R



Standard Coast

Capacitor
 (1st priority)

No: Part Value

1	
2	
3	
4	
5	
6	
7	
8	
9	
10	

Resistor:

1	
2	
3	
4	
5	
6	
7	
8	
9	
10	

Diode:

1	
2	

Transistor

1	
2	
3	
4	
5	

Inductor

1	
---	--

PTC

1	
---	--

Diode:

1	
---	--

Non Standard parts Guide Line (2nd priority)
 Using E3 value for resistor, capacitor and inductor
 Standard IEC E3 Decade Value = 100, 220 & 470
 Non Standard parts Guide Line (3rd priority)
 Using E6 value for resistor, capacitor and inductor
 Standard IEC E6 Decade value =100,150,220,330,470 & 680

MAPS All rights reserved

Size A3	Number MAPS Engineer :	Project Name :	Revision
Date : 2012/2/1	Sheet of		