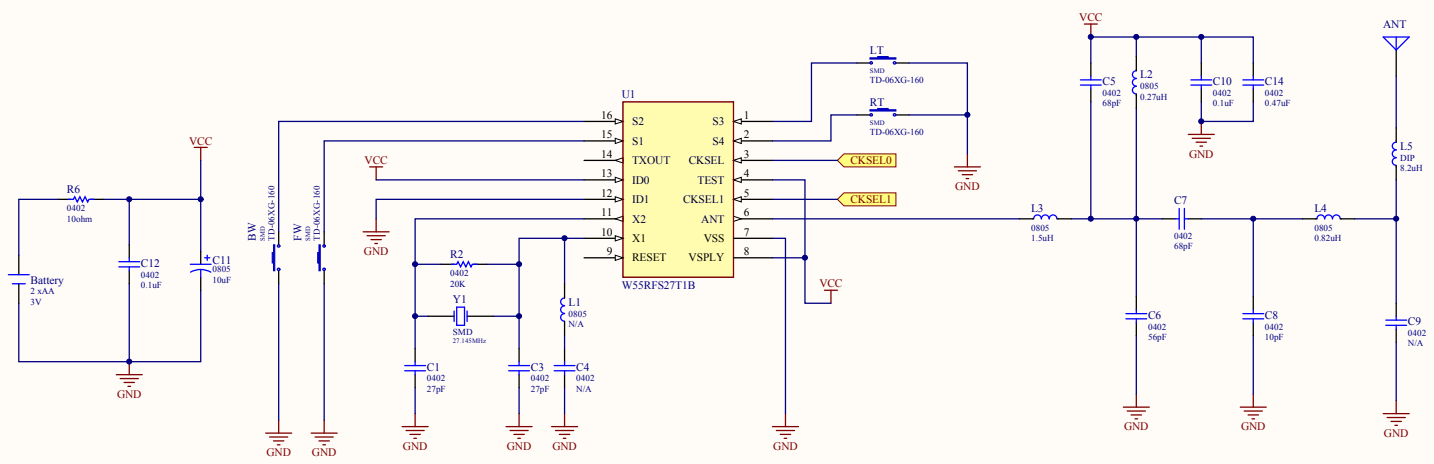


SHORT	Frequency
J3 J4	27.145MHz
J2 J4	40.685MHz
J1 J2	49.860MHz



	C1	C3	Y1	L1	C4	L3	C5	L2	C6	C7	C8	L4	C9	L5
27MHz	27P	27P	27.145MHz	N/A	N/A	1.5uH	68P	0.27uH	56P	68P	10P	0.82uH	N/A	8.2uH
40MHz	15P	15P	40.685MHz	2.2uH	0.047uF	1uH	39P	0.15uH	30P	100P	56P	1.0uH	N/A	3.9uH
49MHz	12P	12P	49.860MHz	1uH	0.047uF	2.2uH	33P	0.1uH	39P	100P	33P	0.82uH	2P	2.2uH

TX:27MHz

- ID1 : ID0 = 0 0 = Data rate = 2.5KBPS
- ID1 : ID0 = 0 1 = Data rate = 1.25KBPS
- ID1 : ID0 = 1 0 = Data rate = 0.625KBPS
- ID1 : ID0 = 1 1 = CPU mode

Standard Common part for master

Capacitor (1st priority)	
No:	Part Value
1	10PF chip 50v +80-20% SMD 0603
2	20pF chip 50v +80-20% SMD 0603
3	25pF chip 50v +80-20% SMD 0603
4	1000pF chip 50v +80-20% SMD 0603
5	0.1uF chip 50V +80-20% Y5V, 50V SMD0603
6	0.1uF 25V +80-20% Y5V, PKG: Ceramic dia 6mm x 3.5
7	0.033uF 25V_Y5V_PKG: dia 4mm x 3.5
8	10uF 25V +/-20% AL_EL_PKG:5x11mm
9	47uF 25V +/-20% AL_EL_PKG:5x11mm
10	100uF 25V +/-20% AL_EL_PKG:5x11mm
11	220uF 25V +/-20% AL_EL_PKG:5x11mm
Resistor:	
1	10 ohm +/-5% 0603
2	100 ohm +/-5% 0603
3	1K ohm +/-5% 0603
4	4.7Kohm +/-5% 0603
5	10k ohm +/-5% 0603
6	47k ohm +/-5% 0603
7	100kohm +/-5% 0603
8	220k ohm +/-5% 0603
9	1M ohm +/-5% 0603
10	2.2M ohm +/-5% 0603
Diode:	
1	IN4001PKG: DO-41 50V
2	IN4148 PKG: DO-35 50V
3	IN5817: DO-41 50V
4	BAT54 SOT23 30V
Transistor	
1	S8050DNP (1.5A)SOT-23.V: 40; W: 0.3;
2	S8550D PNP(1.5A)SOT-23.V: 40; W: 0.3;
3	S9014D NPN (1.5A)SOT-23.V: 40; W: 0.3;
4	B772 PNP A: 3; V: 40; Max. W: 1.25; PKG: TO-126;
5	D882 NPN A: 3; V: 40; Max. W: 1.25; PKG: TO-126;
Inductor	
1	Choke Coil DESC: 5.6uH 10% 1/2W
PTC	
1	MF-R400-0-99

Non Standard parts Guide Line (2nd priority)
 Using E3 value for resistor, capacitor and inductor
 Standard IEC E3 Decade Value = 100, 220 & 470

Non Standard parts Guide Line (3rd priority)
 Using E6 value for resistor, capacitor and inductor
 Standard IEC E6 Decade value = 100, 150, 220, 330, 470 & 680



TEST MODE:	REMARKS:	IC information: 1. operating voltage: 2.2V-5.5V 2. Standby current is 1uA 3. DATA rate is 1.25Kbps	History
1	2	3	4

Size: A3	Number: W6458	Project Name: RC HW 6V ZL1 CAMARO RED	Revision: R0
Date: 12/12/2011	Sheet of		
File: D:\model\RC model by model\W6458\W6458\W6458 Sch 27MHz TX SchDoc			