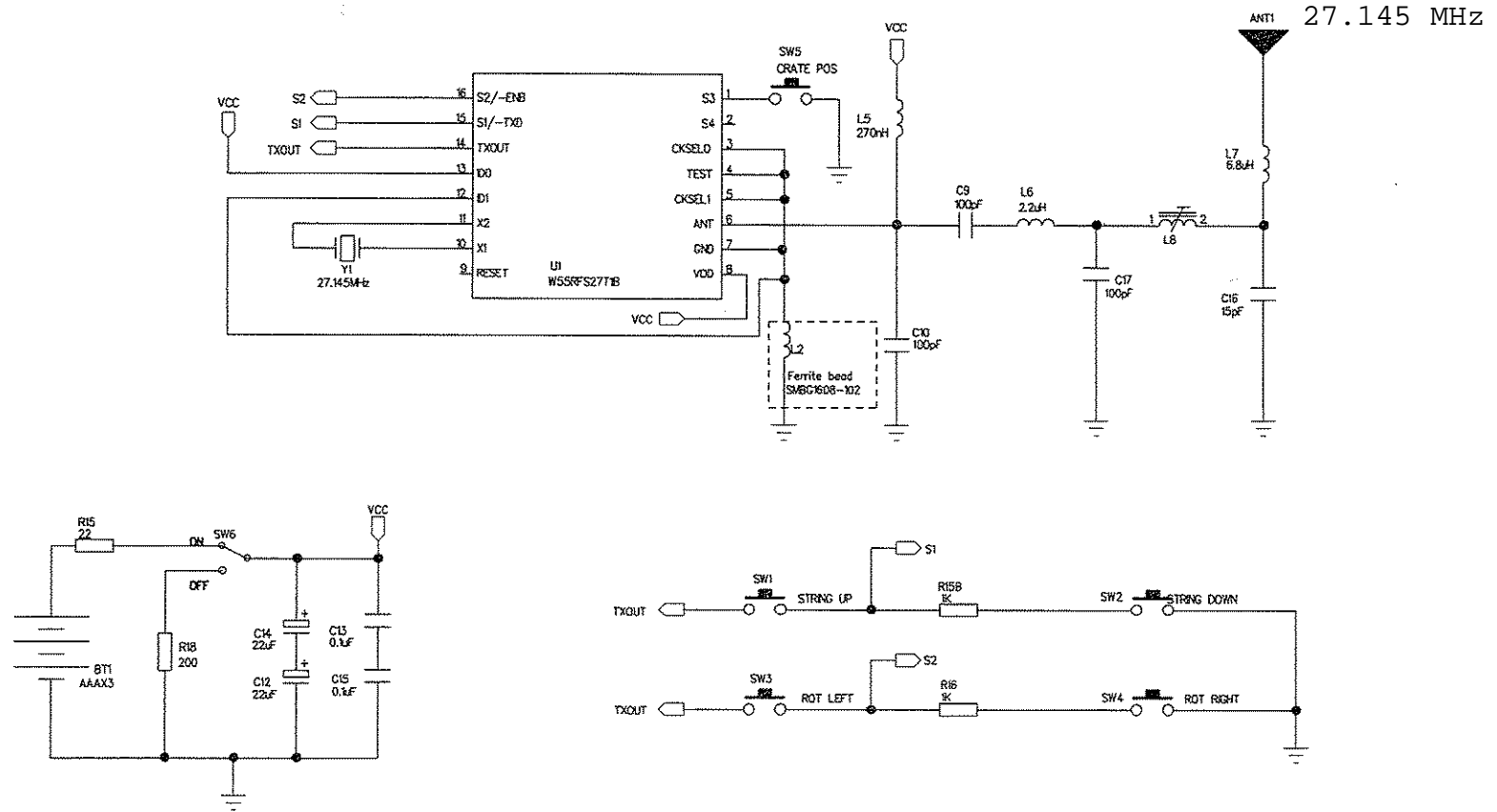


FCC ID: PIYW5394-11A2T

Model: V1579

Circuit Diagram of Transmitter



TAK YUEN PLASTIC FACTORY

STAGE	ORCNA	EP	FEP	PP	PS
DATE					
REVISE					
DESCRIPTION					

ITEM NO	ITEM NAME:		
	FILE NO:		
SCHEMATIC	DRAWN: Hsluo	DATE: 2014.15	REV: 00
CURCORT	APPYD:	DATE:	SHEET: 1 OF 1