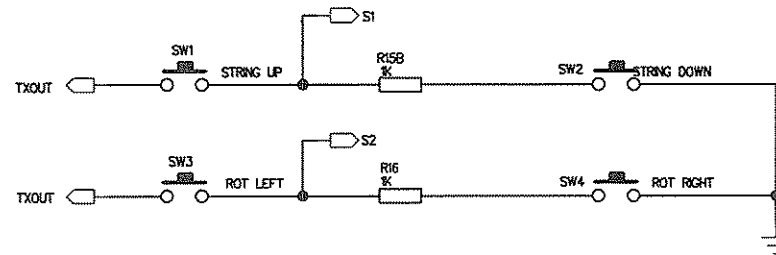
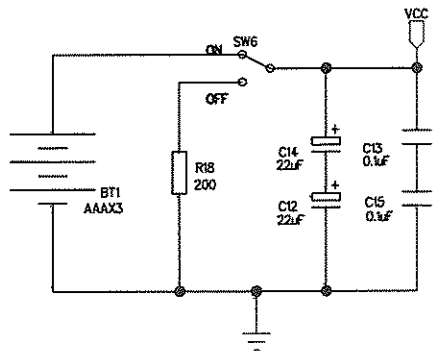
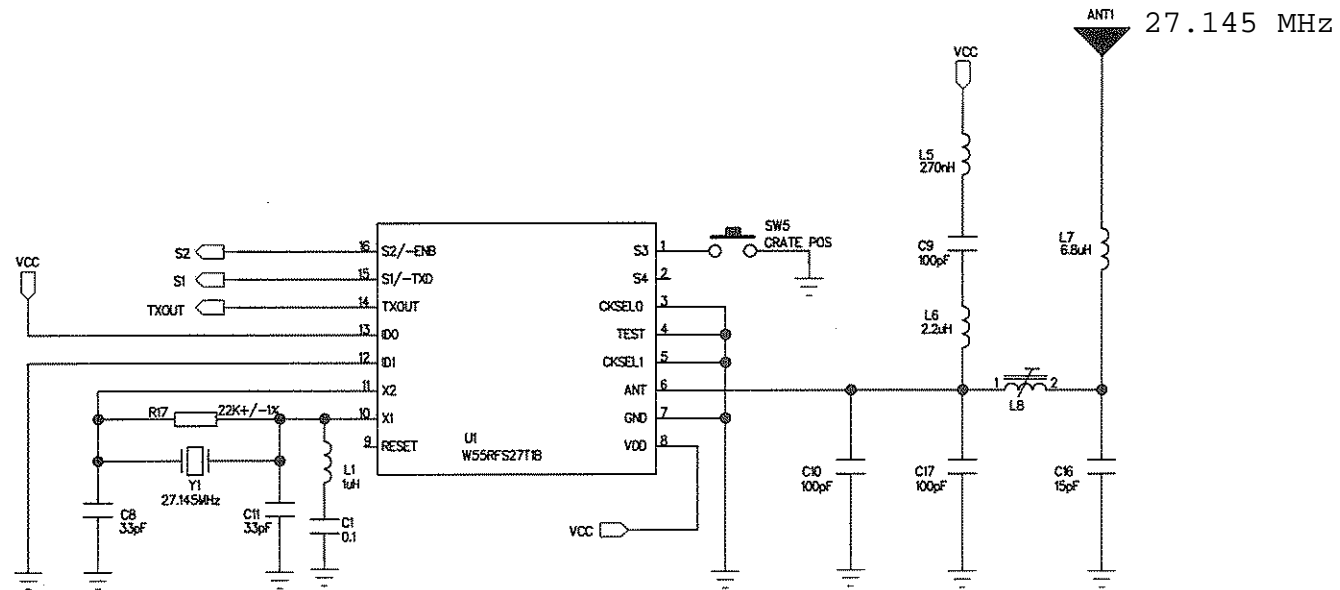


FCC ID: PIYV1579-11A2T

Circuit Diagram of Transmitter

Model: V1579



TAK YUEN PLASTIC FACTORY

STAGE	ORIGINA	EP	FEP	PP	PS
DATE					
REVISE					
DESCRIPTION					

ITEM NO	ITEM NAME: V1579 TX			
SCHMATIC	DRAWN: Hsluo	DATE: 2011.2.15	REV: 00	
CURCRT	APPYD:	DATE:	SHEET: 1 OF 1	