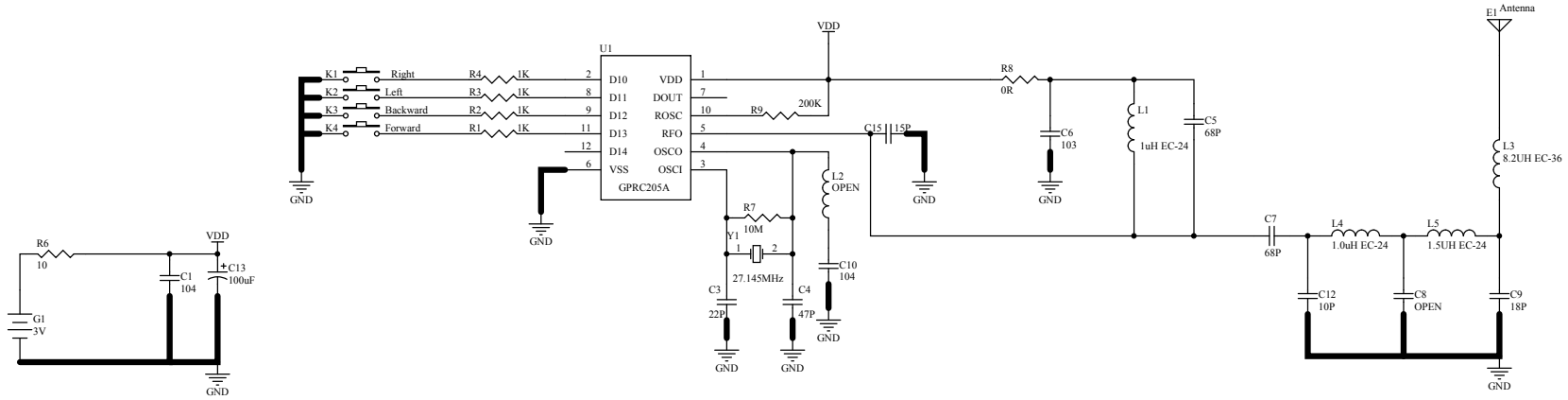


Rev.	Description	Date	Changed by
A			



REMARK: TX 49M/27M different COMPONENT VALUE

MODEL	FREQ	C3	C4	C5	C7	C12	C8	C9	L2	L1	L3
T9477	27M	12PF	47PF	68PF	68PF	10PF	OPEN	18PF	OPEN	1UH	8.2UH
T9478											
T9479	49M	10PF	27PF	27PF	5PF	OPEN	27PF	5PF	0.47UH	0.47UH	3.3UH

Distributed to SMT:	Yes
	No

RADICA: INNOVATIONS A MEMBER OF RADICA GAMES GROUP	Description: RC CAR TX PCB,PP,SS 27MHz	
	Model No.: T9476	
All design, operative and process data pertaining to the article shown on this sheet is the property of Radica China Ltd./Radica Games Ltd. This information is disclosed in confidence and is not to be copied, reproduced, revealed or appropriated by others, in part or in whole, without the express consent of Radica China Ltd./Radica Games Ltd. This print is loaned and recipient covenants it will not be used in any manner detrimental to the interest of Radica China Ltd./Radica Games Ltd., and must be returned on demand.	Drawn by: LIZHU	Date: JUN-2-2010
	Checked by:	Date:
	Approved by:	Date:
	Sheet 1 of 1	Rev.: A
	Drawing No.: 761C0310	