

6

5

4

3

2

1

D

C

B

A

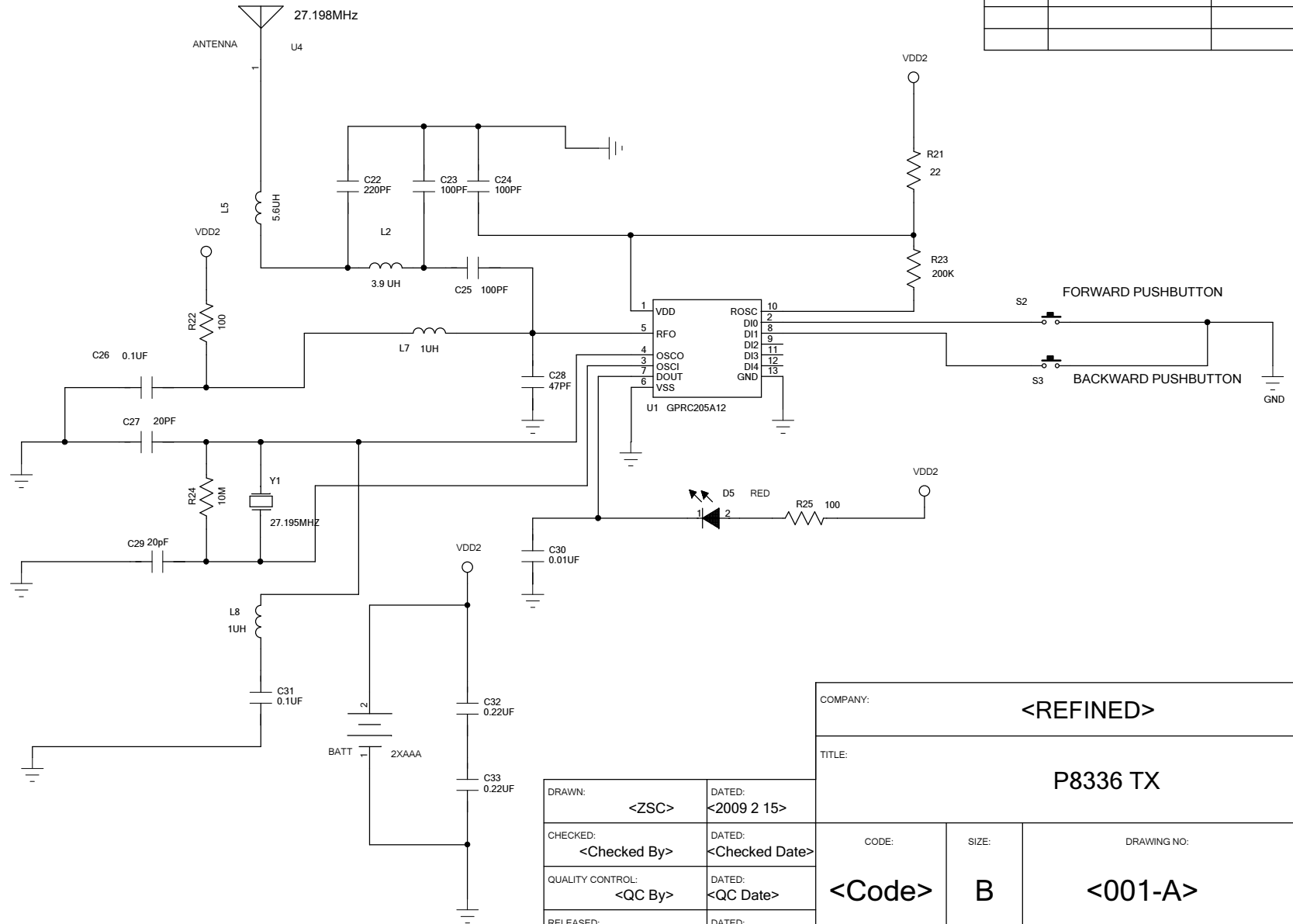
D

C

B

A

REVISION RECORD			
LTR	ECO NO:	APPROVED:	DATE:



COMPANY: <REFINED>			
TITLE: P8336 TX			
CODE: <Code>	SIZE: B	DRAWING NO: <001-A>	REV: <A>
SCALE: <Scale>		SHEET: 1 of 1	

DRAWN: <ZSC>	DATED: <2009 2 15>
CHECKED: <Checked By>	DATED: <Checked Date>
QUALITY CONTROL: <QC By>	DATED: <QC Date>
RELEASED: <Released By>	DATED: <Release Date>