

6

5

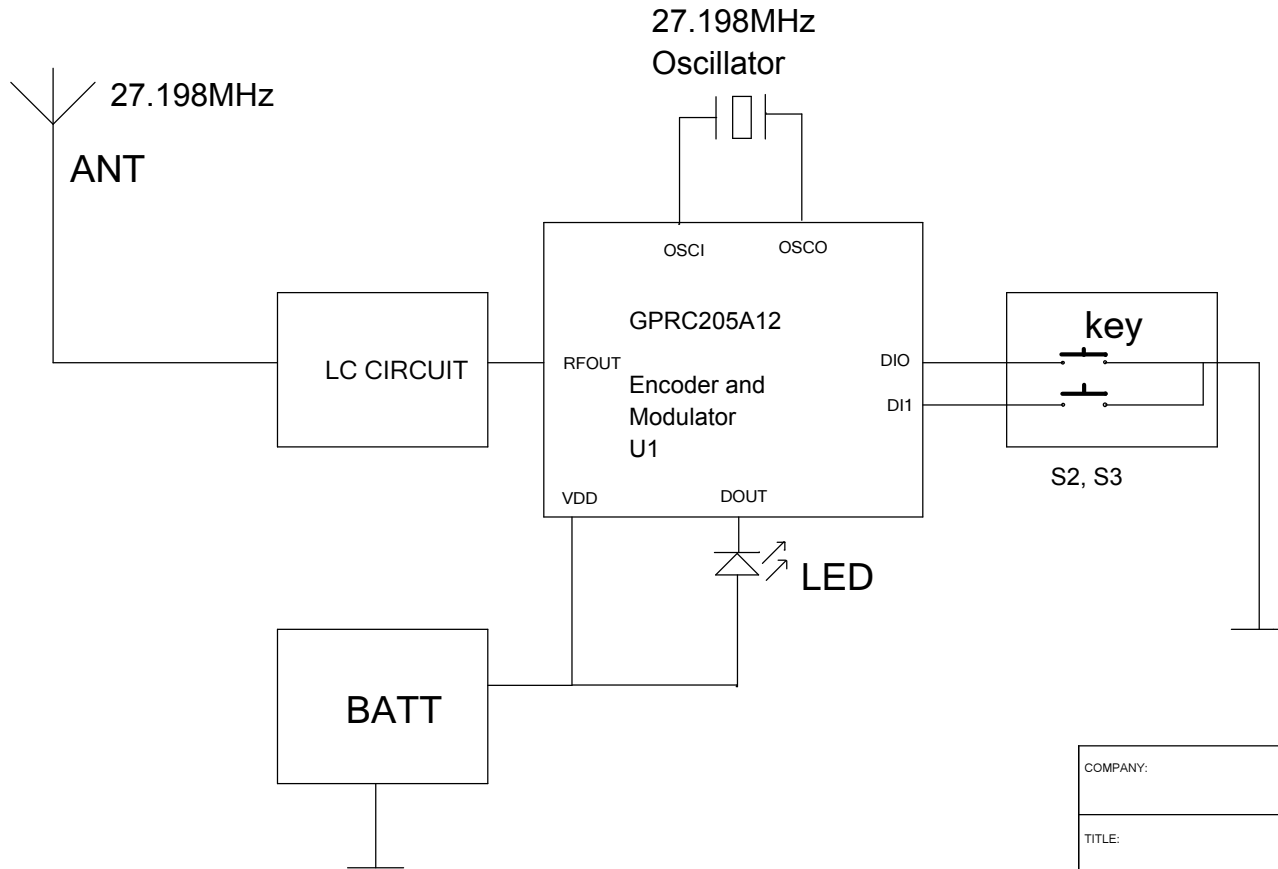
4

3

2

1

REVISION RECORD			
LTR	ECO NO:	APPROVED:	DATE:



COMPANY:				REFINED			
TITLE:							
BLOCK DIAGRAM FOR P8336 TX							
CODE:	SIZE:	DRAWING NO:			REV:		
<Code>	B	001			001		
SCALE: <Scale>					1	1	

DRAWN:	ZSC	DATED:	<Drawn Date>
CHECKED:	<Checked By>	DATED:	<Checked Date>
QUALITY CONTROL:	<QC By>	DATED:	<QC Date>
RELEASED:	<Released By>	DATED:	2009 6 9

D

D

C

C

B

B

A

A