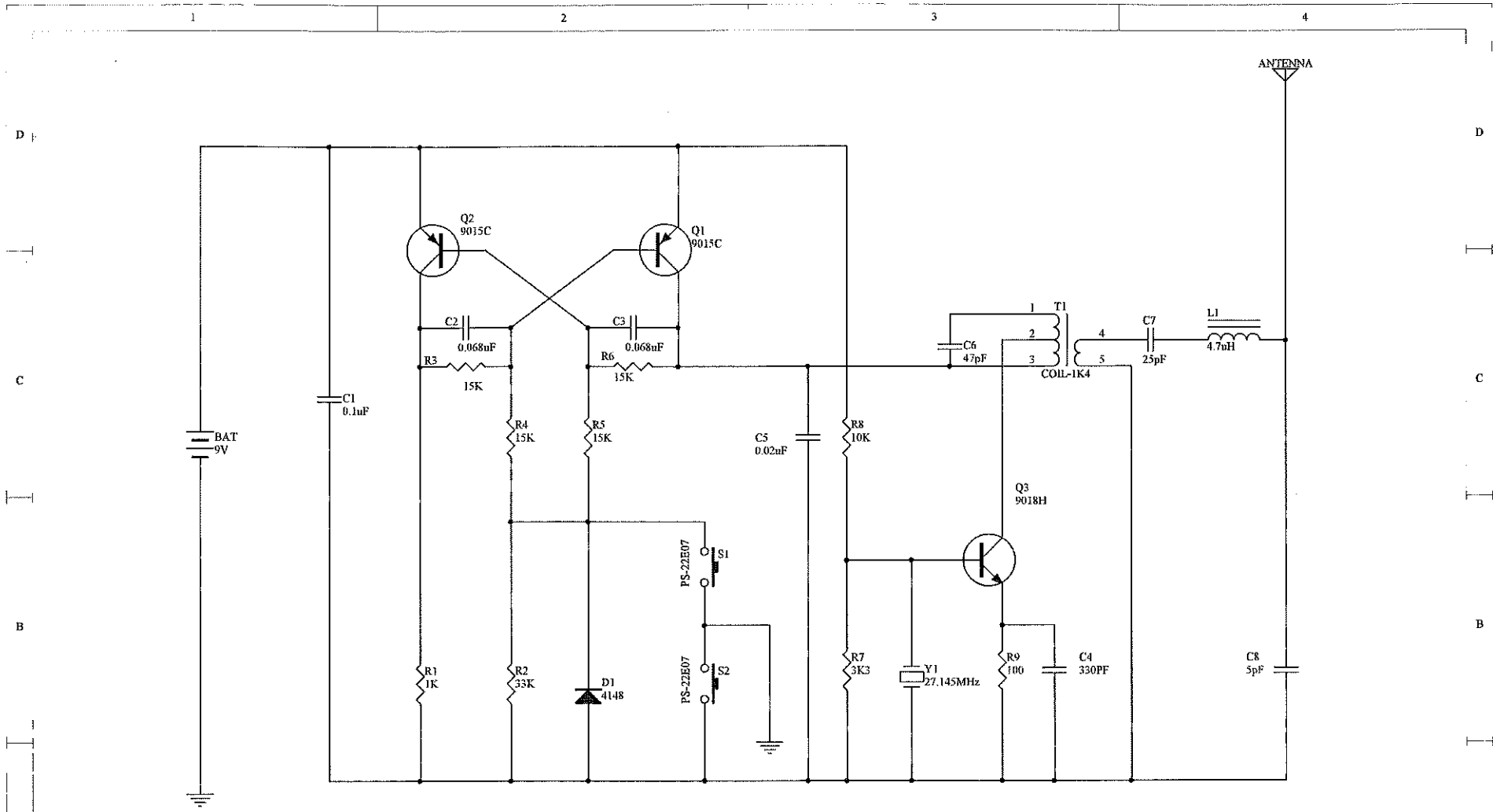


Model = P3494 (Tx)



Title		
Size	Number	Revision
A4		
Date:	13-Mar-2009	Sheet of
File:	D:\My design file\Design file\Mattel\Barbie Buzzsaw Control car(8809)\PCB&Circuit diagram\880	