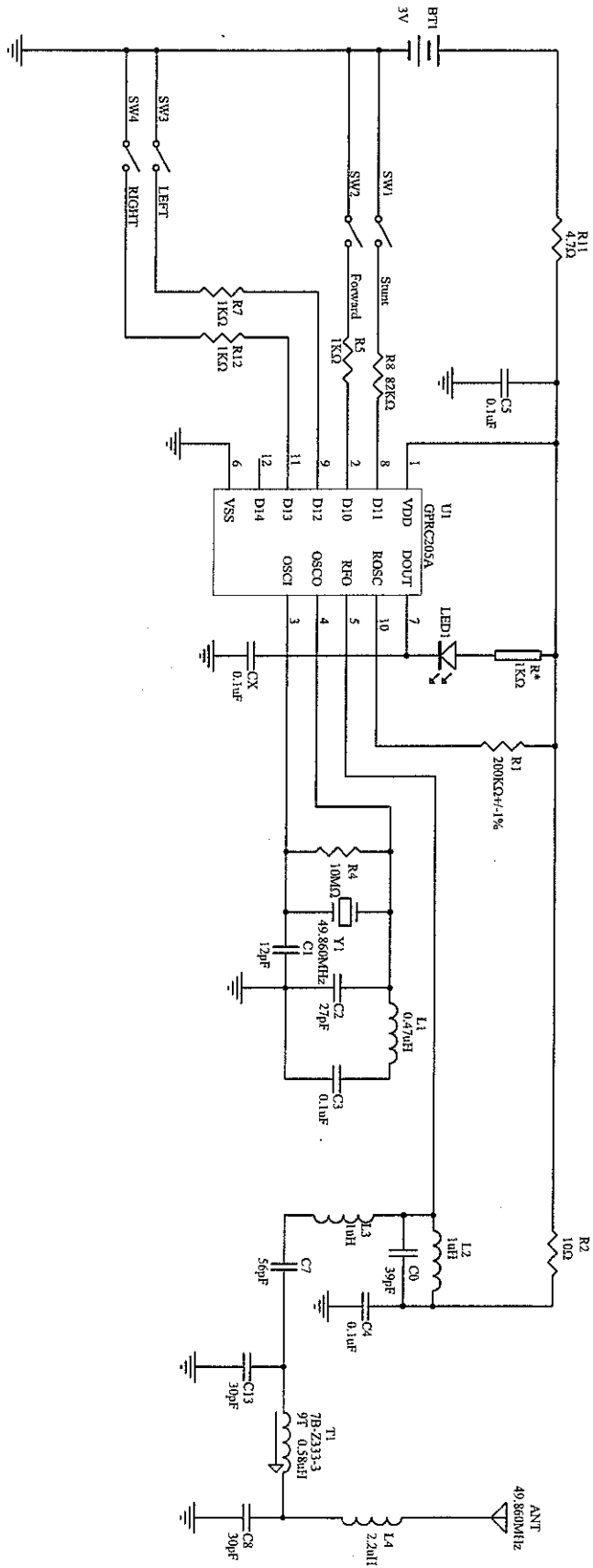


TRANSMITTER SCHEMATIC DIAGRAM



03-09-2008

Title	Size	Number	Revision
Turbo Street Wheelie Cycle (Matten)	A4	P2805	01
Date:	3-Sep-2008	Sheet of	
File:	D:\2708\SCH\N4054.LDB	Drawn By:	