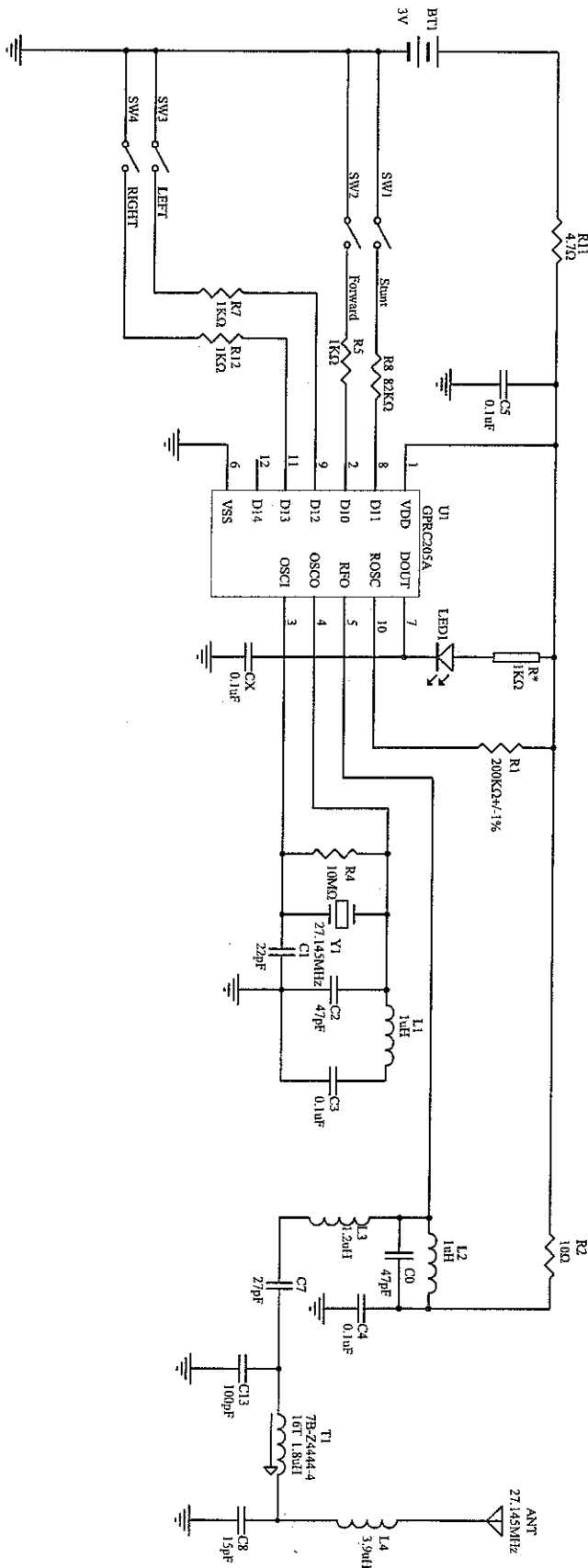


# TRANSMITTER SCHEMATIC DIAGRAM



03-09-2008

Title	Turbo Street Wheelie Cycle (Mattel)		
Size	Number	Revision	
A4	P2804	01	
Date	3-SEP-2008	Sheet of	
File	D:\Z4408\SCHEM\Z4404.DDB	Drawn By:	